
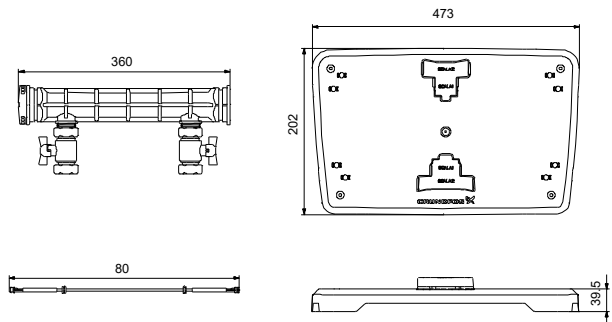
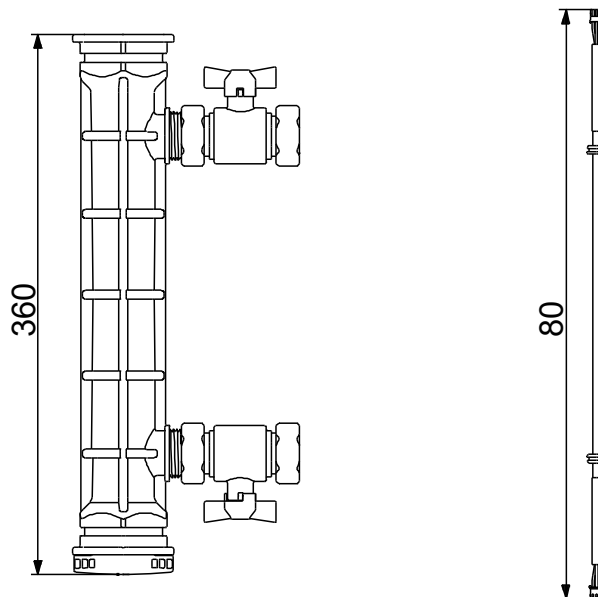
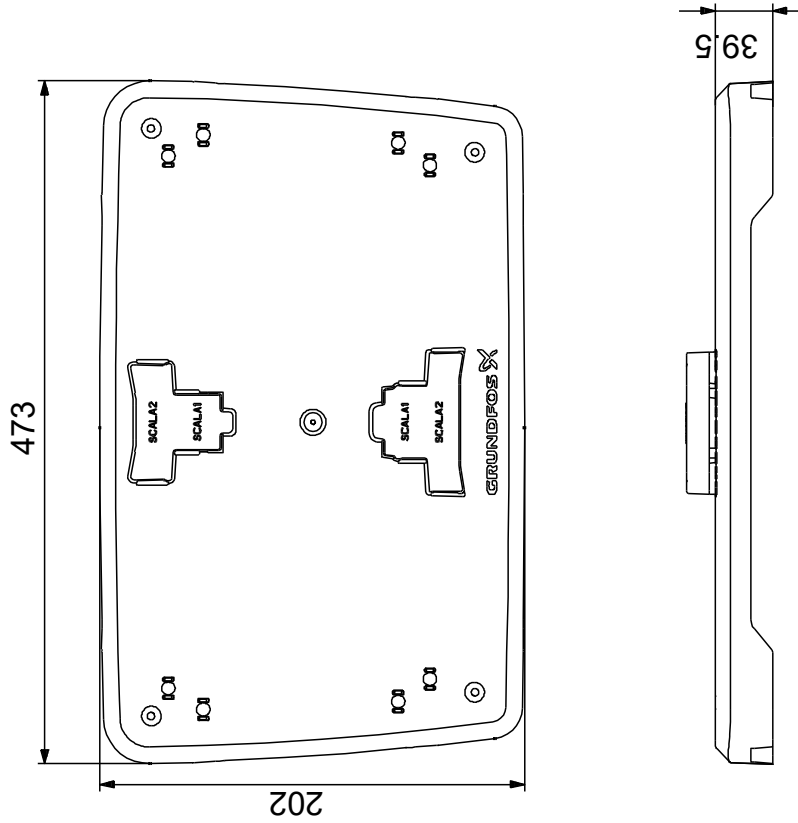


Qty.	Description
1	<p data-bbox="199 338 798 365">Product name: Twin installation set</p> <div data-bbox="212 383 574 645"></div> <p data-bbox="592 629 1062 651">Note! Product picture may differ from actual product</p> <p data-bbox="199 663 464 685">Product No.: 99725165</p> <p data-bbox="199 719 1404 770">The Grundfos SCALA1/2 Twin installation set is used in order to connect two SCALA1/2 pumps in a twin booster system. It includes all the necessary components for twin configuration.</p> <p data-bbox="199 808 389 831">This set includes:</p> <ul data-bbox="199 842 1206 954" style="list-style-type: none">• base platetwo manifolds (inlet and outlet) including the isolation valvescommunication cable (for SCALA1 only)fixing screws.

Description	Value
General information:	
Product name:	Twin installation set
Product No:	99725165
EAN number:	5713833435226
Price:	GBP 372
Technical:	
Approvals for drinking water:	WRAS,ACS
Materials:	
Base plate:	Composite
O-ring:	Rubber
O-ring:	NBR
Manifold:	Composite
Screw material:	Stainless steel
Isolating valve:	Brass
Installation:	
Maximum operating pressure:	8 bar
Type of inlet connection:	Rp
Type of outlet connection:	Rp
Size of inlet connection:	1 inch
Size of outlet connection:	5/4 inch
Number of screws:	4
Number of baseplates:	1
Number of manifolds:	2
Number of valves:	4
Number of o-rings:	2
Electrical data:	
Length of cable:	0.8 m
Number of power cables:	1
Others:	
Net weight:	4.6 kg
Gross weight:	5.3 kg
Shipping volume:	0.017 m ³
Fits to following products:	SCALA1
Country of origin:	HU
Custom tariff no.:	84139100



99725165 Twin installation set



Note! All units are in [mm] unless others are stated.
Disclaimer: This simplified dimensional drawing does not show all details.