


Count	Description
1	<p><b>TPE3 65-150-S A-F-A-BQQE</b></p>  <p>Product No.: <a href="#">99272264</a></p> <p>Single-stage, close-coupled, volute pump with in-line suction and discharge ports of identical diameter. The pump is of the top-pull-out design, i.e. the power head (motor, pump head and impeller) can be removed for maintenance or service while the pump housing remains in the pipework.</p> <p>The shaft seal is according to EN 12756. Pipework connection is via PN 6/10 DIN flanges (EN 1092-2 and ISO 7005-2).</p> <p>The pump is fitted with a fan-cooled, permanent-magnet synchronous motor. The motor efficiency is classified as IE5 in accordance with IEC 60034-30-2.</p> <p>The motor includes a frequency converter and PI controller in the motor terminal box. This enables continuously variable control of the motor speed, which again enables adaptation of the performance to a given requirement.</p> <p>The pump is fitted with a combined temperature- and differential-pressure sensor.</p> <p><b>Controls:</b>            Frequency converter: Built-in</p> <p><b>Liquid:</b>            Pumped liquid: Water            Liquid temperature range: -13 .. 248 °F            Liquid temperature during operation: 68 °F            Density: 62.29 lb/ft³</p> <p><b>Technical:</b>            Pump speed on which pump data is based: 4000 rpm            Rated flow: 144 US gpm            Rated head: 32.15 ft            Actual impeller diameter: 3.07 in            Primary shaft seal: BQQE            Curve tolerance: ISO9906:2012 3B</p> <p><b>Materials:</b>            Pump housing: Cast iron                              EN-JL1040                              ASTM A48-40 B            Impeller: Composite PES/PP 30% GF</p> <p><b>Installation:</b>            Range of ambient temperature: -4 .. 122 °F            Maximum operating pressure: 145 psi            Flange standard: DIN            Pipe connection: DN 65            Pressure stage: PN 6/10            Port-to-port length: 13 7/16 in            Flange size for motor: 56C</p> <p><b>Electrical data:</b>            Motor type: 80B</p>



Company name:

Created by:

Phone:

Date:

1/10/2019

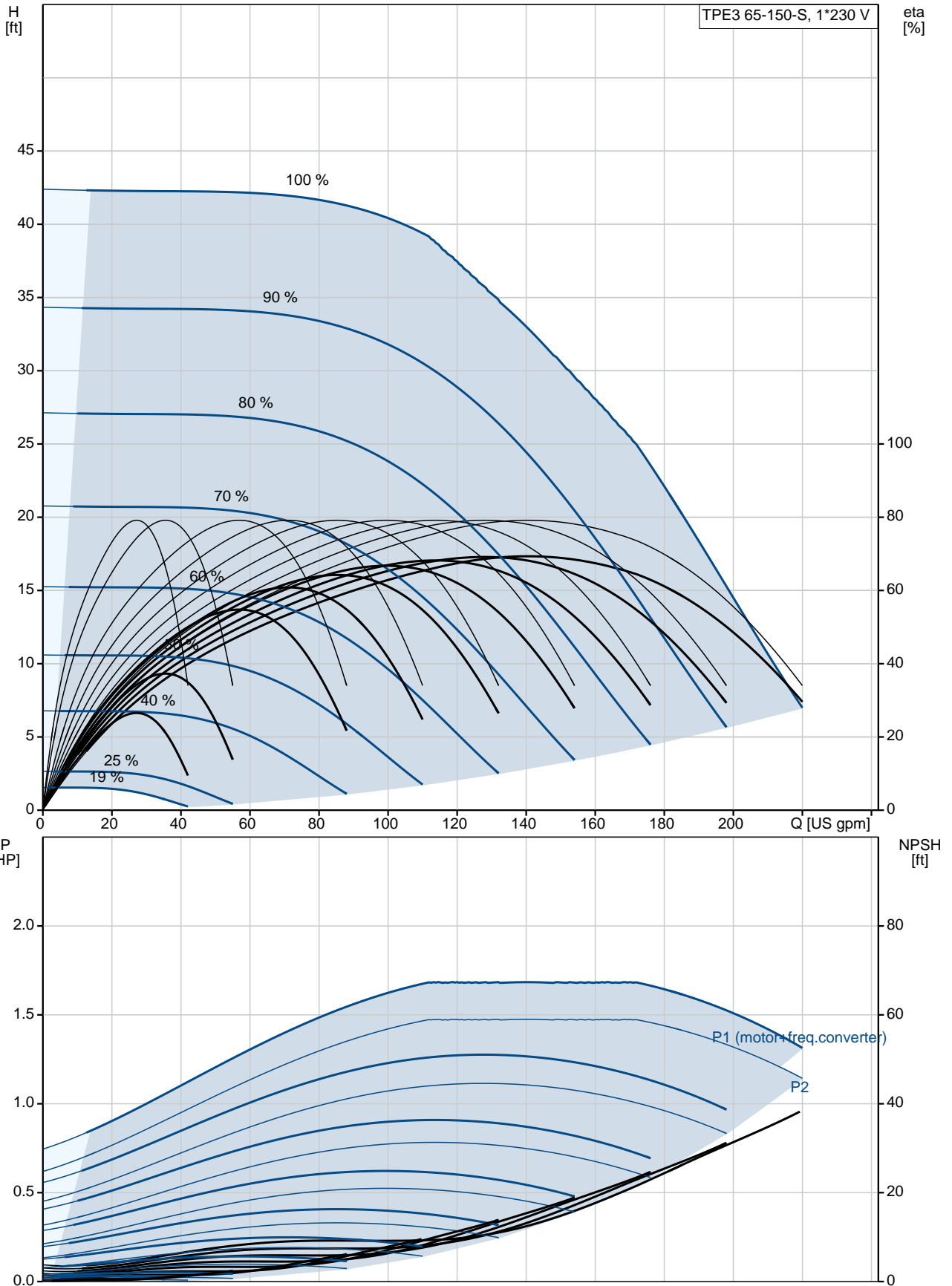
Count	Description
	IE Efficiency class: IE5
	Rated power - P2: 1.5 HP
	Main frequency: 60 Hz
	Rated voltage: 1 x 200-240 V
	Rated current: 6.70-5.60 A
	Cos phi - power factor: 0.99
	Rated speed: 360-4000 rpm
	IE efficiency: 86.9%
	Motor efficiency at full load: 86.9 %
	Enclosure class (IEC 34-5): IP55
	Insulation class (IEC 85): F
	<b>Others:</b>
	Minimum efficiency index, MEI : 0.7
	ErP status: EuP Standalone/Prod.
	Net weight: 63.7 lb
	Gross weight: 82.9 lb
	Shipping volume: 5660 ft <sup>3</sup>
	Danish VVS No.: 381603150
	Country of origin: HU
	Custom tariff no.: 84137051



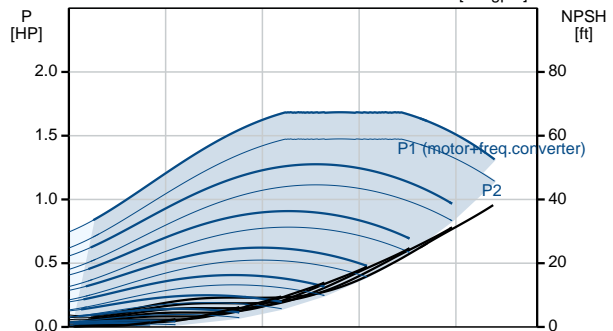
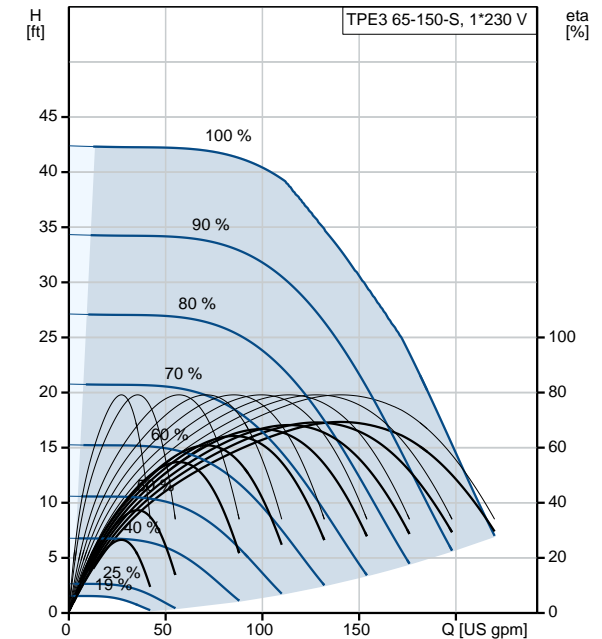
Company name:  
Created by:  
Phone:

Date: 1/10/2019

### 99272264 TPE3 65-150-S A-F-A-BQQE 60 Hz



Description	Value
<b>General information:</b>	
Product name:	TPE3 65-150-S A-F-A-BQQE
Product No.:	99272264
EAN:	5713826361297
<b>Technical:</b>	
Pump speed on which pump data is based:	4000 rpm
Rated flow:	144 US gpm
Rated head:	32.15 ft
Head max:	49.22 ft
Actual impeller diameter:	3.07 in
Primary shaft seal:	BQQE
Curve tolerance:	ISO9906:2012 3B
Pump version:	A
Model:	A
<b>Materials:</b>	
Pump housing:	Cast iron
	EN-JL1040
	ASTM A48-40 B
Impeller:	Composite PES/PP 30% GF
Material code:	A
<b>Installation:</b>	
Range of ambient temperature:	-4 .. 122 °F
Maximum operating pressure:	145 psi
Flange standard:	DIN
Pipe connection:	DN 65
Pressure stage:	PN 6/10
Port-to-port length:	13 7/16 in
Flange size for motor:	56C
Connect code:	F
<b>Liquid:</b>	
Pumped liquid:	Water
Liquid temperature range:	-13 .. 248 °F
Liquid temperature during operation:	68 °F
Density:	62.29 lb/ft <sup>3</sup>
<b>Electrical data:</b>	
Motor type:	80B
IE Efficiency class:	IE5
Rated power - P2:	1.5 HP
Main frequency:	60 Hz
Rated voltage:	1 x 200-240 V
Rated current:	6.70-5.60 A
Cos phi - power factor:	0.99
Rated speed:	360-4000 rpm
IE efficiency:	86.9%
Motor efficiency at full load:	86.9 %
Enclosure class (IEC 34-5):	IP55
Insulation class (IEC 85):	F
Motor protection:	YES
Motor Number:	99137987
<b>Controls:</b>	
Control panel:	HMI300 - Graphical
Function Module:	FM300 - Advanced
Frequency converter:	Built-in
<b>Others:</b>	
Minimum efficiency index, MEI :	0.7
ErP status:	EuP Standalone/Prod.





Company name:

Created by:

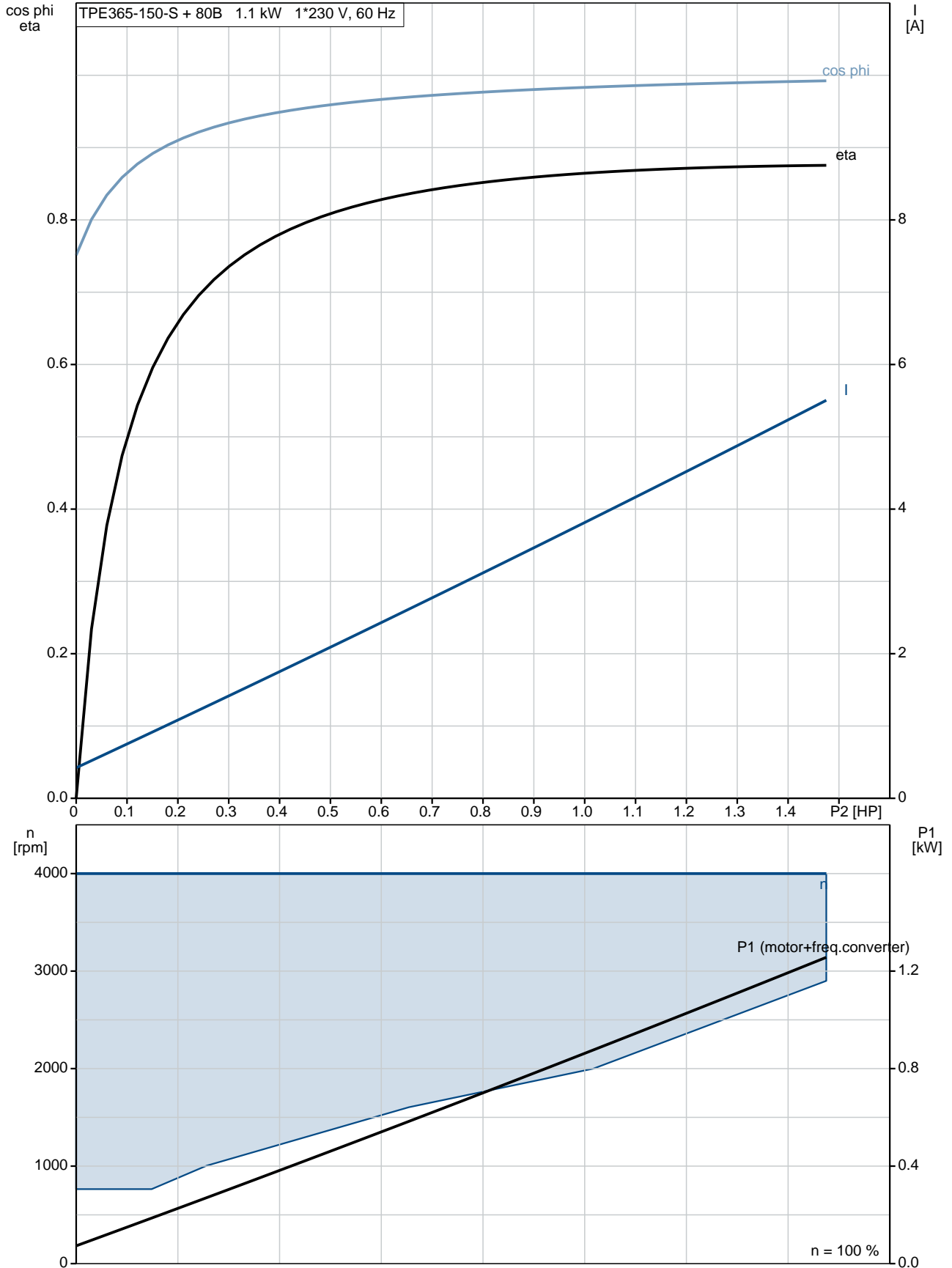
Phone:

Date:

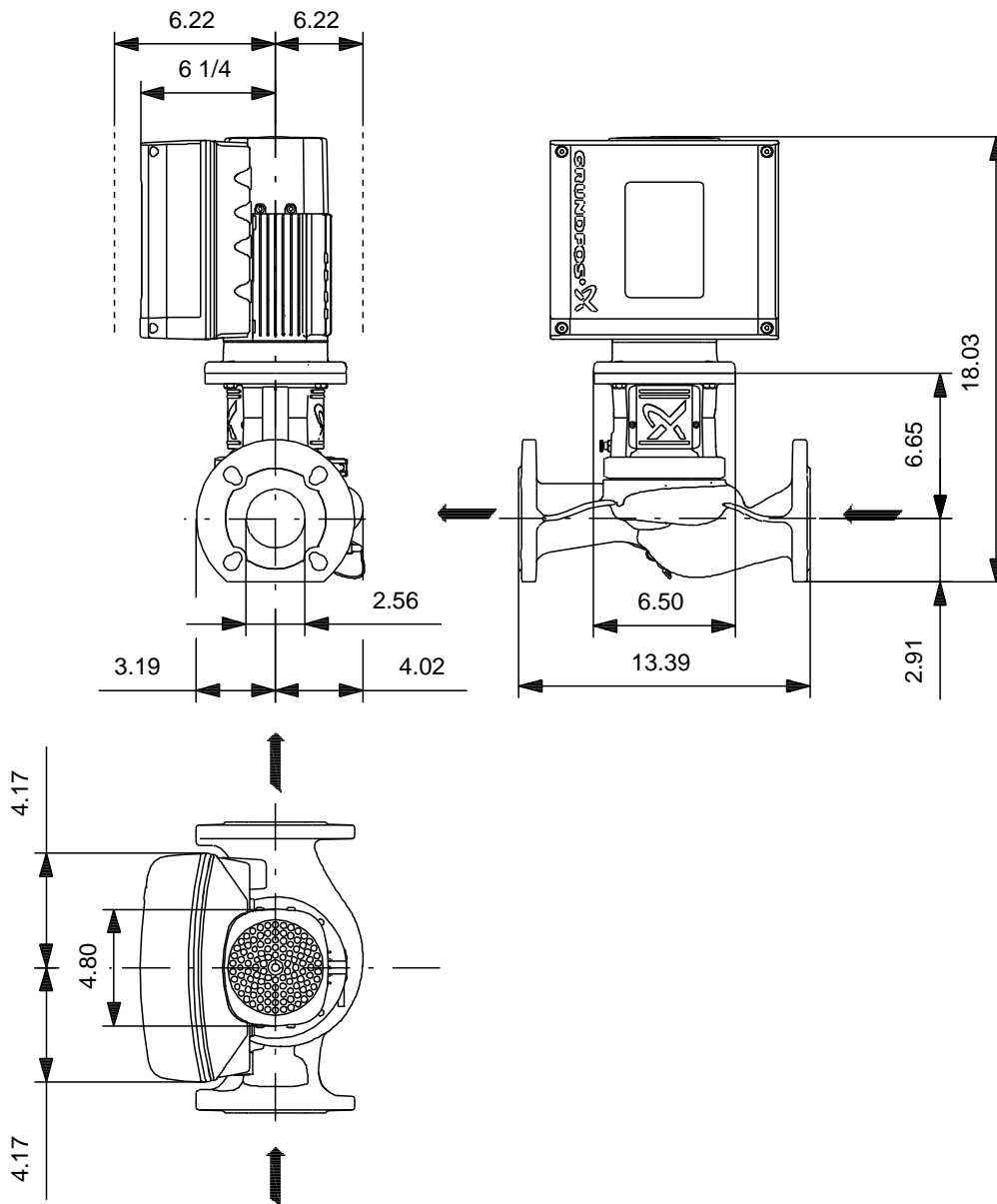
1/10/2019

Description	Value
Net weight:	63.7 lb
Gross weight:	82.9 lb
Shipping volume:	5660 ft <sup>3</sup>
Config. file no:	98481406
Danish VVS No.:	381603150
Country of origin:	HU
Custom tariff no.:	84137051

## 99272264 TPE3 65-150-S A-F-A-BQQE 60 Hz

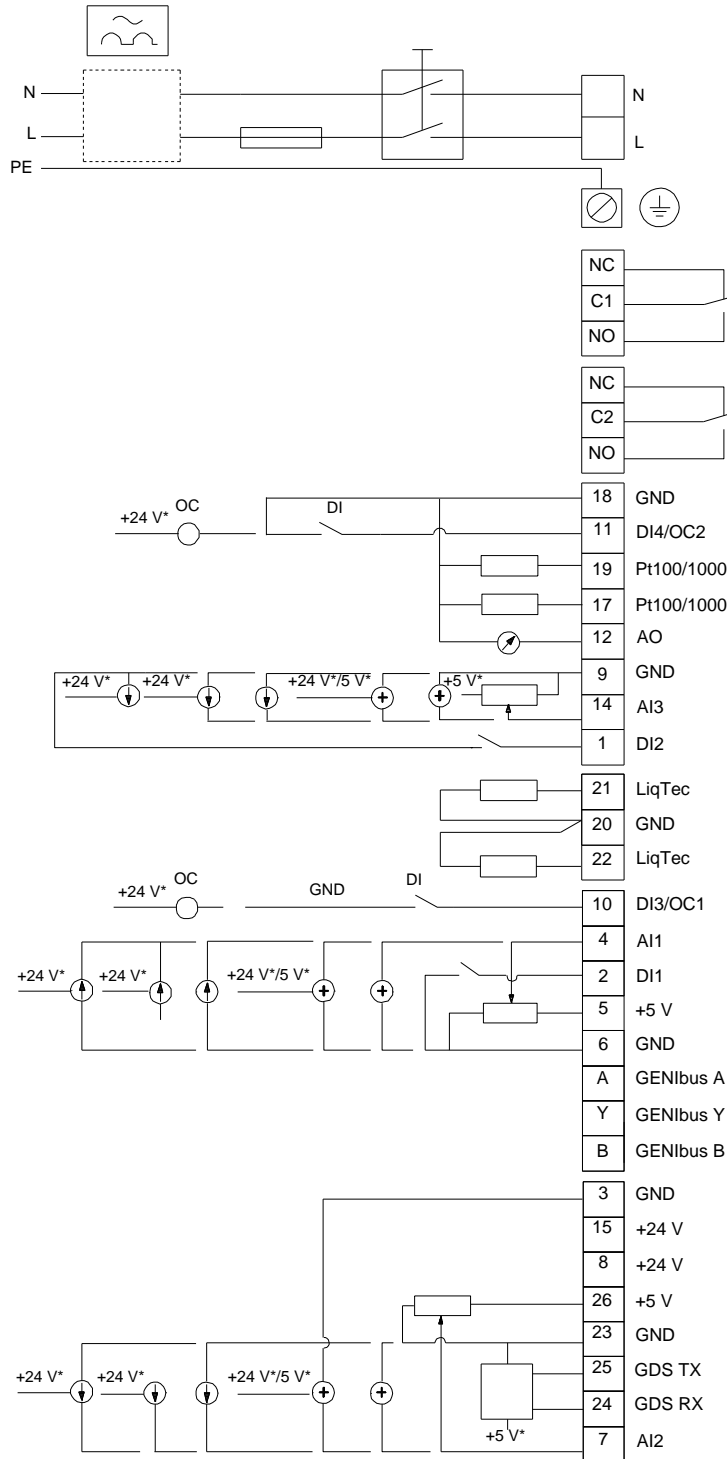


**99272264 TPE3 65-150-S A-F-A-BQQE 60 Hz**



Note! All units are in [mm] unless otherwise stated.  
Disclaimer: This simplified dimensional drawing does not show all details.

## 99272264 TPE3 65-150-S A-F-A-BQQE 60 Hz



All units are [mm] unless otherwise presented.