


Count	Description
1	<p><b>TPE3 50-80-S A-F-A-BQQE</b></p>  <p>Product No.: <a href="#">99272256</a></p> <p>Single-stage, close-coupled, volute pump with in-line suction and discharge ports of identical diameter. The pump is of the top-pull-out design, i.e. the power head (motor, pump head and impeller) can be removed for maintenance or service while the pump housing remains in the pipework.</p> <p>The shaft seal is according to EN 12756. Pipework connection is via PN 6/10 DIN flanges (EN 1092-2 and ISO 7005-2).</p> <p>The pump is fitted with a fan-cooled, permanent-magnet synchronous motor. The motor efficiency is classified as IE5 in accordance with IEC 60034-30-2.</p> <p>The motor includes a frequency converter and PI controller in the motor terminal box. This enables continuously variable control of the motor speed, which again enables adaptation of the performance to a given requirement.</p> <p>The pump is fitted with a combined temperature- and differential-pressure sensor.</p> <p><b>Controls:</b>            Frequency converter: Built-in</p> <p><b>Liquid:</b>            Pumped liquid: Water            Liquid temperature range: -13 .. 248 °F            Liquid temperature during operation: 68 °F            Density: 62.29 lb/ft³</p> <p><b>Technical:</b>            Pump speed on which pump data is based: 3000 rpm            Rated flow: 79.3 US gpm            Rated head: 19.03 ft            Actual impeller diameter: 2.91 in            Primary shaft seal: BQQE            Curve tolerance: ISO9906:2012 3B</p> <p><b>Materials:</b>            Pump housing: Cast iron                              EN-JL1040                              ASTM A48-40 B            Impeller: Composite PES/PP 30% GF</p> <p><b>Installation:</b>            Range of ambient temperature: -4 .. 122 °F            Maximum operating pressure: 145 psi            Flange standard: DIN            Pipe connection: DN 50            Pressure stage: PN 6/10            Port-to-port length: 11 1/16 in            Flange size for motor: 56C</p> <p><b>Electrical data:</b>            Motor type: 71A</p>



Company name:

Created by:

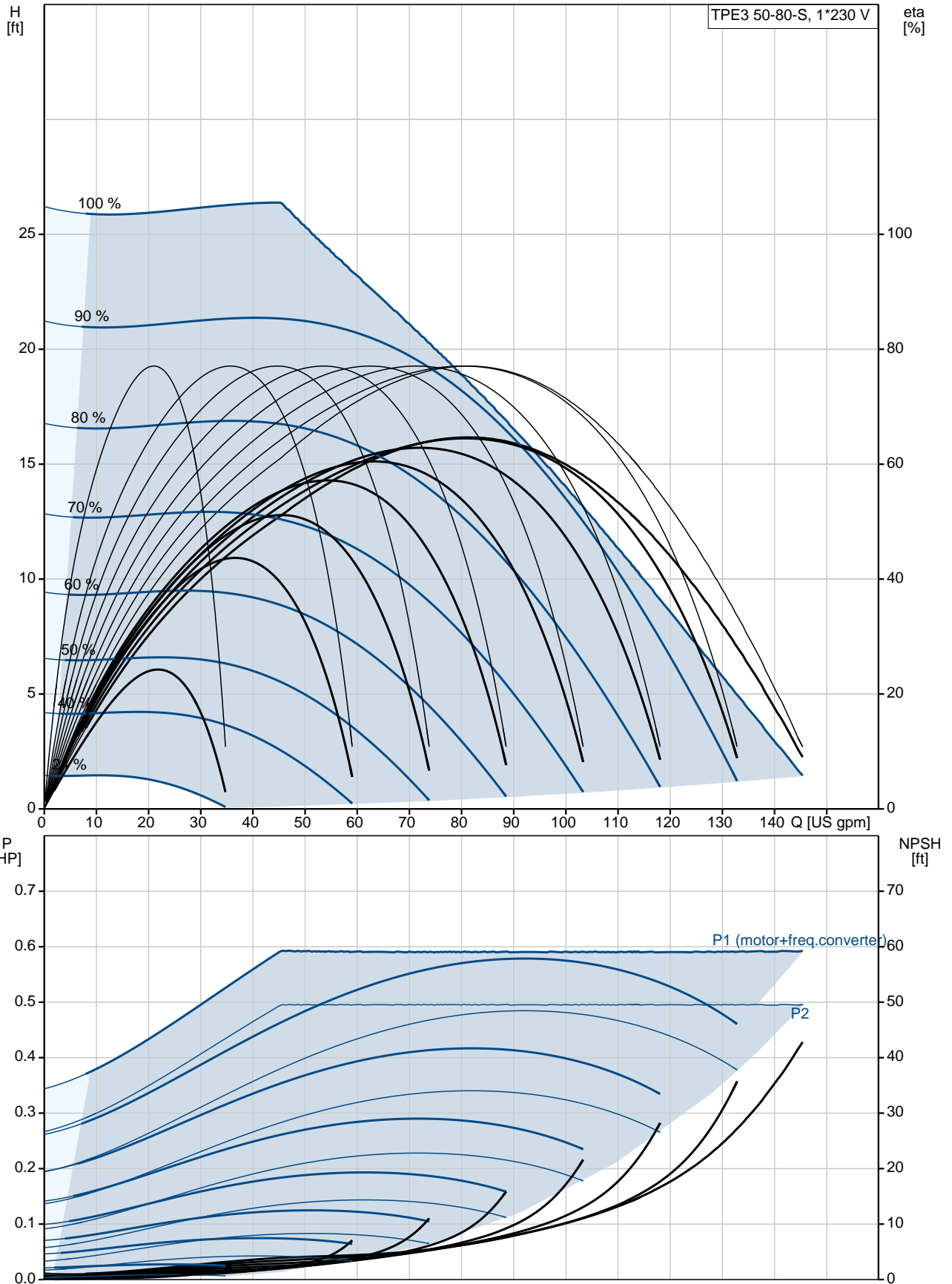
Phone:

Date:

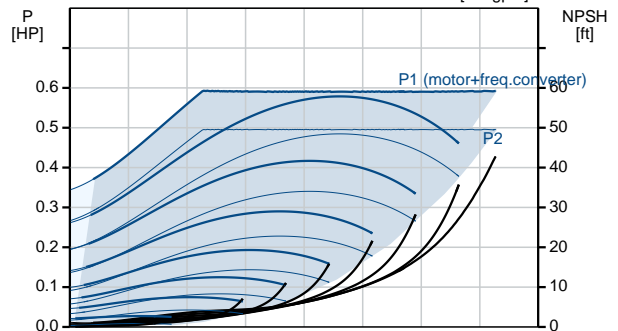
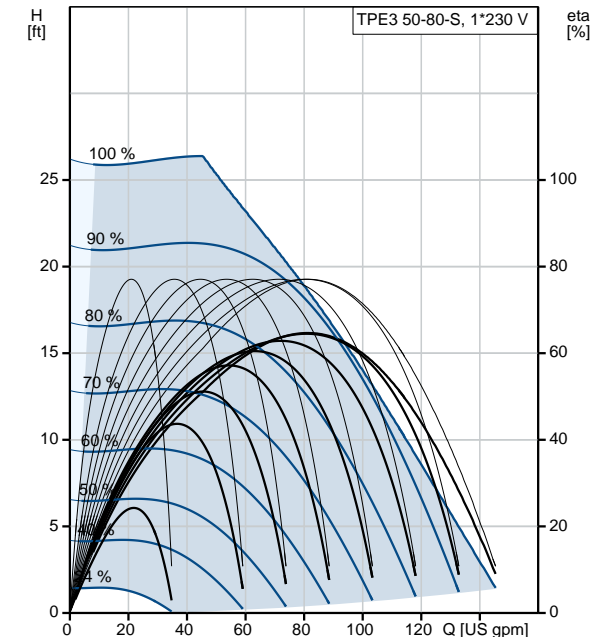
1/10/2019

Count	Description
	IE Efficiency class: IE5
	Rated power - P2: 0.5 HP
	Main frequency: 60 Hz
	Rated voltage: 1 x 200-240 V
	Rated current: 2.40-2.10 A
	Cos phi - power factor: 0.96
	Rated speed: 360-4000 rpm
	IE efficiency: 84.0%
	Motor efficiency at full load: 84.0 %
	Enclosure class (IEC 34-5): IP55
	Insulation class (IEC 85): F
	<b>Others:</b>
	Minimum efficiency index, MEI : 0.7
	ErP status: EuP Standalone/Prod.
	Net weight: 54.5 lb
	Gross weight: 70.3 lb
	Shipping volume: 3570 ft <sup>3</sup>
	Danish VVS No.: 381602080
	Country of origin: HU
	Custom tariff no.: 84137051

## 99272256 TPE3 50-80-S A-F-A-BQQE 60 Hz



Description	Value
<b>General information:</b>	
Product name:	TPE3 50-80-S A-F-A-BQQE
Product No.:	<a href="#">99272256</a>
EAN:	5713826361037
<b>Technical:</b>	
Pump speed on which pump data is based:	3000 rpm
Rated flow:	79.3 US gpm
Rated head:	19.03 ft
Head max:	26.25 ft
Actual impeller diameter:	2.91 in
Primary shaft seal:	BQQE
Curve tolerance:	ISO9906:2012 3B
Pump version:	A
Model:	A
<b>Materials:</b>	
Pump housing:	Cast iron EN-JL1040 ASTM A48-40 B
Impeller:	Composite PES/PP 30% GF
Material code:	A
<b>Installation:</b>	
Range of ambient temperature:	-4 .. 122 °F
Maximum operating pressure:	145 psi
Flange standard:	DIN
Pipe connection:	DN 50
Pressure stage:	PN 6/10
Port-to-port length:	11 1/16 in
Flange size for motor:	56C
Connect code:	F
<b>Liquid:</b>	
Pumped liquid:	Water
Liquid temperature range:	-13 .. 248 °F
Liquid temperature during operation:	68 °F
Density:	62.29 lb/ft <sup>3</sup>
<b>Electrical data:</b>	
Motor type:	71A
IE Efficiency class:	IE5
Rated power - P2:	0.5 HP
Main frequency:	60 Hz
Rated voltage:	1 x 200-240 V
Rated current:	2.40-2.10 A
Cos phi - power factor:	0.96
Rated speed:	360-4000 rpm
IE efficiency:	84.0%
Motor efficiency at full load:	84.0 %
Enclosure class (IEC 34-5):	IP55
Insulation class (IEC 85):	F
Motor protection:	YES
Motor Number:	99137984
<b>Controls:</b>	
Control panel:	HMI300 - Graphical
Function Module:	FM300 - Advanced
Frequency converter:	Built-in
<b>Others:</b>	
Minimum efficiency index, MEI :	0.7
ErP status:	EuP Standalone/Prod.
Net weight:	54.5 lb





Company name:

Created by:

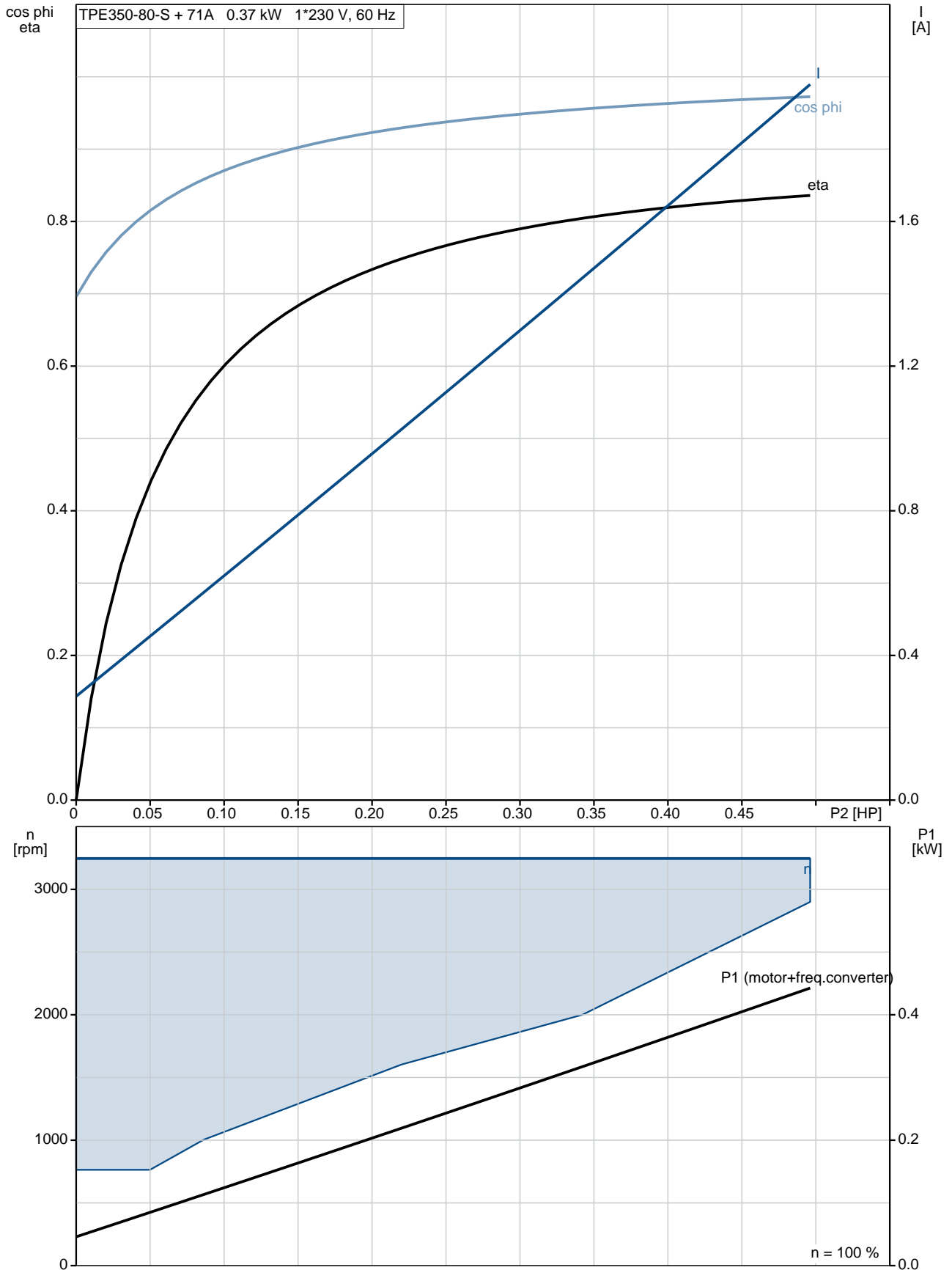
Phone:

Date:

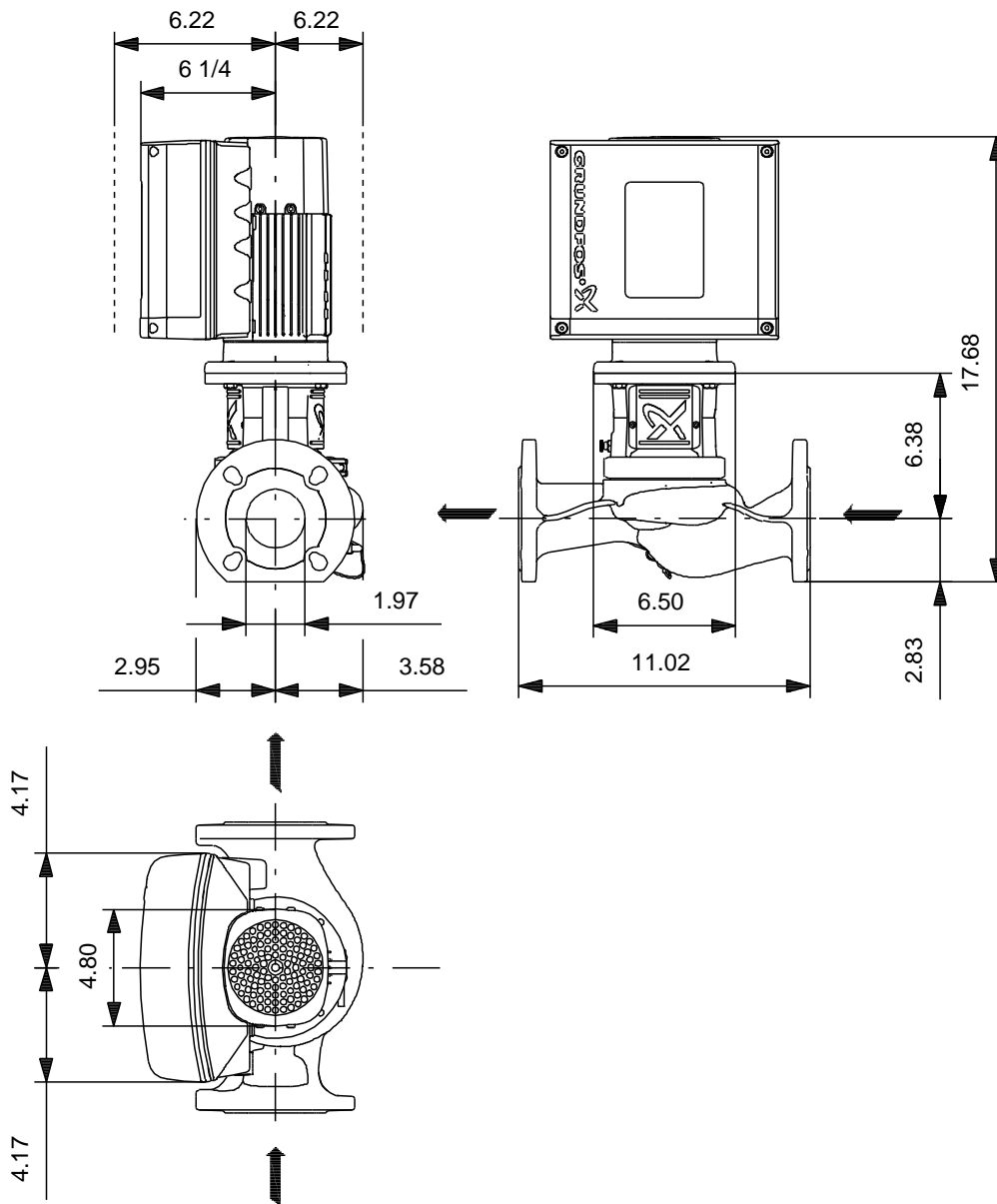
1/10/2019

Description	Value
Gross weight:	70.3 lb
Shipping volume:	3570 ft <sup>3</sup>
Config. file no:	98481397
Danish VVS No.:	381602080
Country of origin:	HU
Custom tariff no.:	84137051

## 99272256 TPE3 50-80-S A-F-A-BQQE 60 Hz

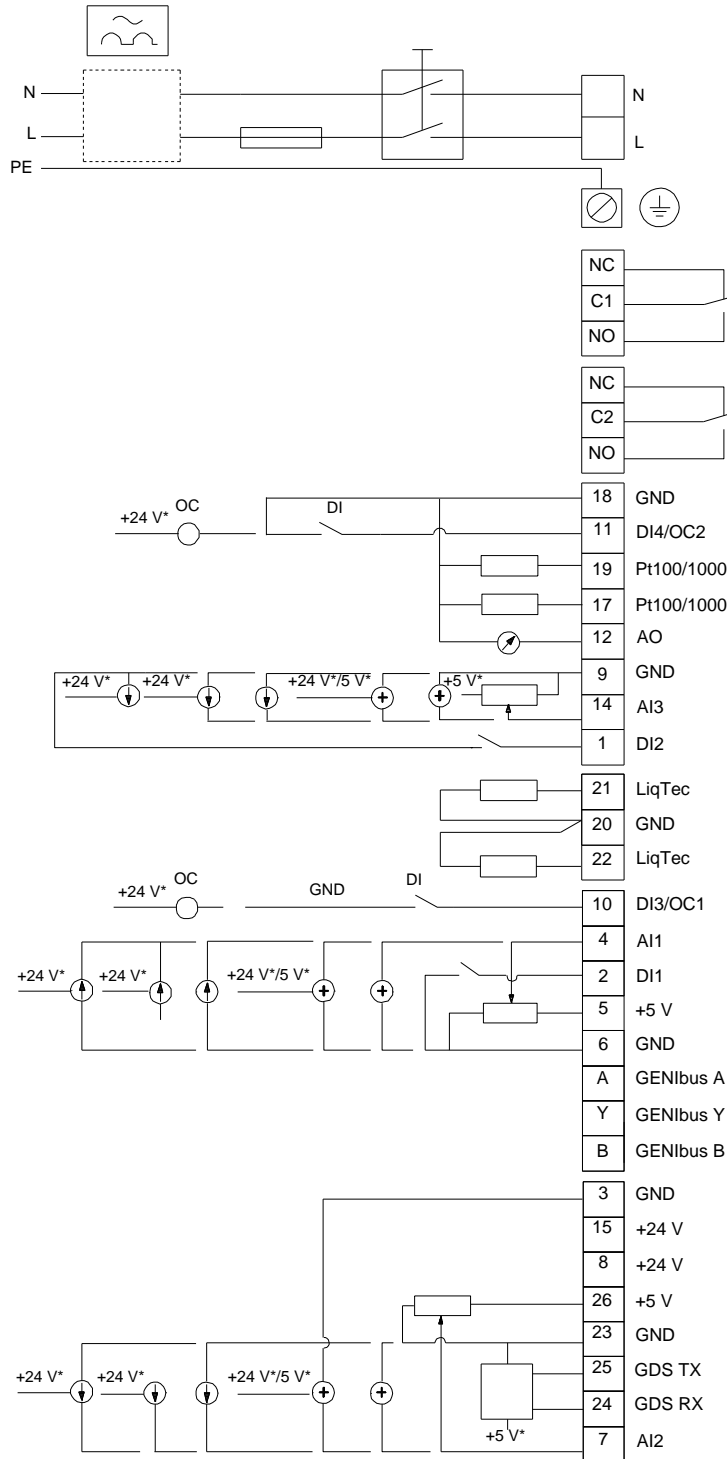


**99272256 TPE3 50-80-S A-F-A-BQQE 60 Hz**



Note! All units are in [mm] unless otherwise stated.  
Disclaimer: This simplified dimensional drawing does not show all details.

## 99272256 TPE3 50-80-S A-F-A-BQQE 60 Hz



All units are [mm] unless otherwise presented.