


Count	Description
1	<p data-bbox="223 336 558 369">TPE3 40-240-S A-F-A-BQQE</p>  <p data-bbox="223 660 494 694">Product No.: 99272254</p> <p data-bbox="223 716 1404 795">Single-stage, close-coupled, volute pump with in-line suction and discharge ports of identical diameter. The pump is of the top-pull-out design, i.e. the power head (motor, pump head and impeller) can be removed for maintenance or service while the pump housing remains in the pipework.</p> <p data-bbox="223 806 1436 862">The shaft seal is according to EN 12756. Pipework connection is via PN 6/10 DIN flanges (EN 1092-2 and ISO 7005-2).</p> <p data-bbox="223 862 1428 918">The pump is fitted with a fan-cooled, permanent-magnet synchronous motor. The motor efficiency is classified as IE5 in accordance with IEC 60034-30-2.</p> <p data-bbox="223 918 1452 974">The motor includes a frequency converter and PI controller in the motor terminal box. This enables continuously variable control of the motor speed, which again enables adaptation of the performance to a given requirement.</p> <p data-bbox="223 1008 1117 1041">The pump is fitted with a combined temperature- and differential-pressure sensor.</p> <p data-bbox="223 1097 335 1131">Controls:</p> <p data-bbox="223 1131 670 1153">Frequency converter: Built-in</p> <p data-bbox="223 1187 319 1220">Liquid:</p> <p data-bbox="223 1220 654 1243">Pumped liquid: Water</p> <p data-bbox="223 1243 726 1265">Liquid temperature range: -13 .. 248 °F</p> <p data-bbox="223 1265 710 1288">Liquid temperature during operation: 68 °F</p> <p data-bbox="223 1288 710 1310">Density: 62.29 lb/ft³</p> <p data-bbox="223 1366 351 1400">Technical:</p> <p data-bbox="223 1400 829 1422">Pump speed on which pump data is based: 5500 rpm</p> <p data-bbox="223 1422 734 1444">Rated flow: 98.6 US gpm</p> <p data-bbox="223 1444 678 1467">Rated head: 61.03 ft</p> <p data-bbox="223 1467 662 1489">Actual impeller diameter: 2.91 in</p> <p data-bbox="223 1489 662 1512">Primary shaft seal: BQQE</p> <p data-bbox="223 1512 790 1534">Curve tolerance: ISO9906:2012 3B</p> <p data-bbox="223 1601 343 1635">Materials:</p> <p data-bbox="223 1635 901 1713">Pump housing: Cast iron EN-JL1040 ASTM A48-40 B</p> <p data-bbox="223 1713 901 1736">Impeller: Composite PES/PP 30% GF</p> <p data-bbox="223 1780 367 1814">Installation:</p> <p data-bbox="223 1814 710 1836">Range of ambient temperature: -4 .. 122 °F</p> <p data-bbox="223 1836 670 1859">Maximum operating pressure: 145 psi</p> <p data-bbox="223 1859 630 1881">Flange standard: DIN</p> <p data-bbox="223 1881 662 1904">Pipe connection: DN 40</p> <p data-bbox="223 1904 678 1926">Pressure stage: PN 6/10</p> <p data-bbox="223 1926 670 1948">Port-to-port length: 9 7/8 in</p> <p data-bbox="223 1948 630 1971">Flange size for motor: 56C</p> <p data-bbox="223 2049 406 2083">Electrical data:</p> <p data-bbox="223 2083 654 2105">Motor type: 90SB</p>



Company name:

Created by:

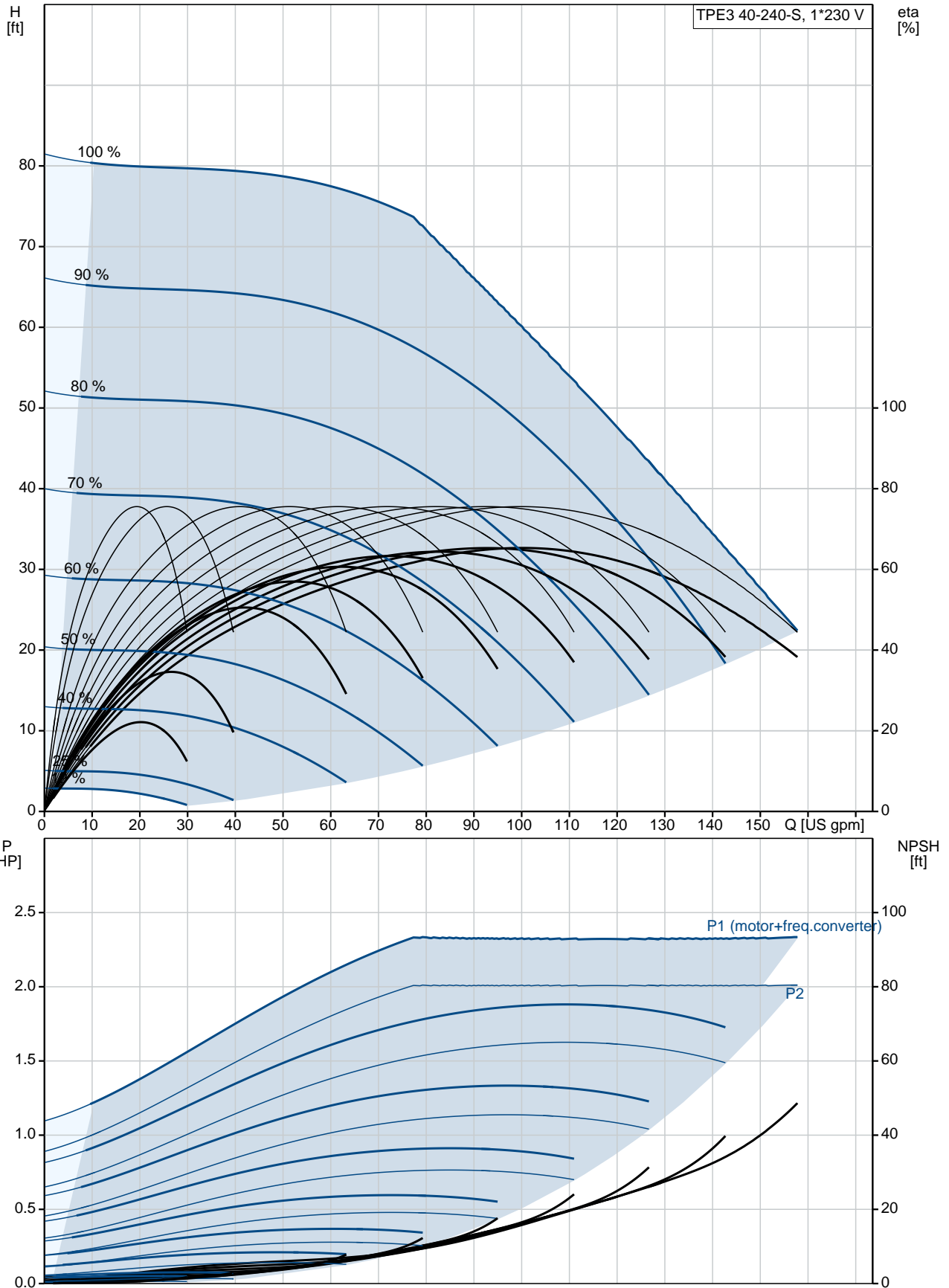
Phone:

Date:

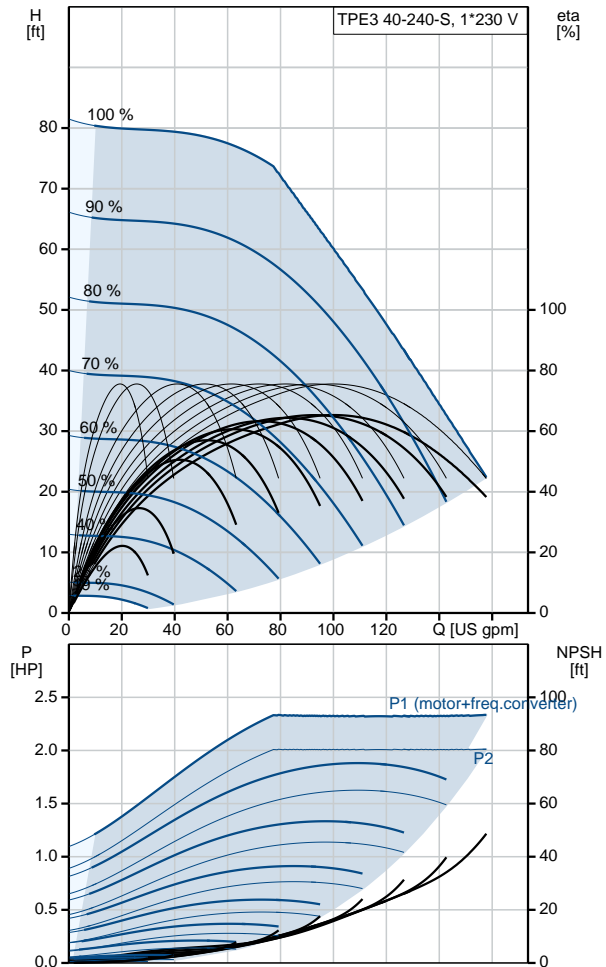
1/10/2019

Count	Description
	IE Efficiency class: IE5
	Rated power - P2: 2 HP
	Main frequency: 60 Hz
	Rated voltage: 1 x 200-240 V
	Rated current: 9.20-7.60 A
	Cos phi - power factor: 0.99
	Rated speed: 480-5900 rpm
	IE efficiency: 87.5%
	Motor efficiency at full load: 87.5 %
	Enclosure class (IEC 34-5): IP55
	Insulation class (IEC 85): F
	Others:
	Minimum efficiency index, MEI : 0.7
	ErP status: EuP Standalone/Prod.
	Net weight: 55.8 lb
	Gross weight: 71.7 lb
	Shipping volume: 3570 ft ³
	Danish VVS No.: 381601240
	Norwegian NRF no.: 9043461
	Country of origin: HU
	Custom tariff no.: 84137051

99272254 TPE3 40-240-S A-F-A-BQQE 60 Hz



Description	Value
General information:	
Product name:	TPE3 40-240-S A-F-A-BQQE
Product No.:	99272254
EAN:	5713826360993
Technical:	
Pump speed on which pump data is based:	5500 rpm
Rated flow:	98.6 US gpm
Rated head:	61.03 ft
Head max:	78.74 ft
Actual impeller diameter:	2.91 in
Primary shaft seal:	BQQE
Curve tolerance:	ISO9906:2012 3B
Pump version:	A
Model:	A
Materials:	
Pump housing:	Cast iron
	EN-JL1040
	ASTM A48-40 B
Impeller:	Composite PES/PP 30% GF
Material code:	A
Installation:	
Range of ambient temperature:	-4 .. 122 °F
Maximum operating pressure:	145 psi
Flange standard:	DIN
Pipe connection:	DN 40
Pressure stage:	PN 6/10
Port-to-port length:	9 7/8 in
Flange size for motor:	56C
Connect code:	F
Liquid:	
Pumped liquid:	Water
Liquid temperature range:	-13 .. 248 °F
Liquid temperature during operation:	68 °F
Density:	62.29 lb/ft ³
Electrical data:	
Motor type:	90SB
IE Efficiency class:	IE5
Rated power - P2:	2 HP
Main frequency:	60 Hz
Rated voltage:	1 x 200-240 V
Rated current:	9.20-7.60 A
Cos phi - power factor:	0.99
Rated speed:	480-5900 rpm
IE efficiency:	87.5%
Motor efficiency at full load:	87.5 %
Enclosure class (IEC 34-5):	IP55
Insulation class (IEC 85):	F
Motor protection:	YES
Motor Number:	99138026
Controls:	
Control panel:	HMI300 - Graphical
Function Module:	FM300 - Advanced
Frequency converter:	Built-in
Others:	
Minimum efficiency index, MEI :	0.7
ErP status:	EuP Standalone/Prod.





Company name:

Created by:

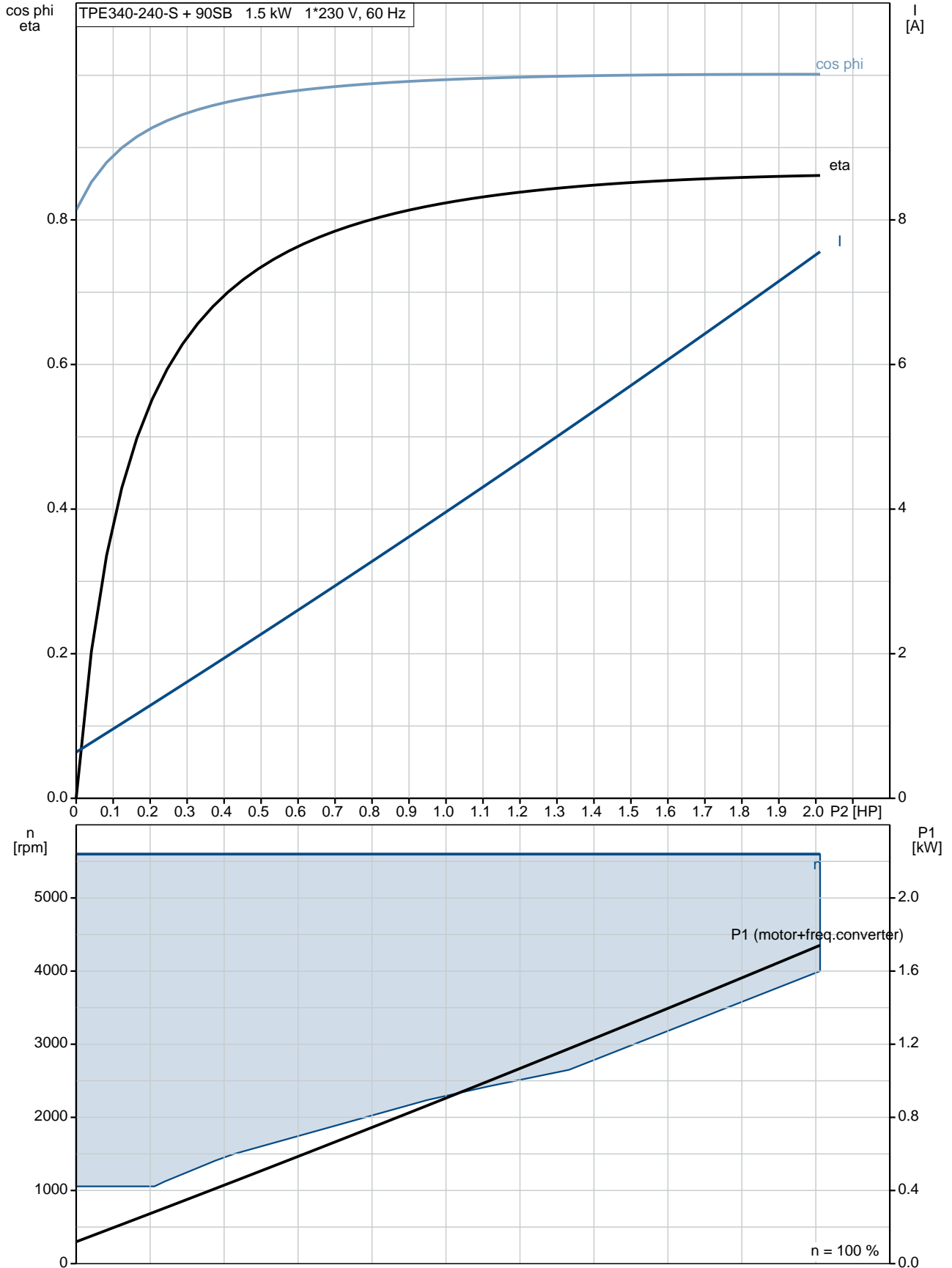
Phone:

Date:

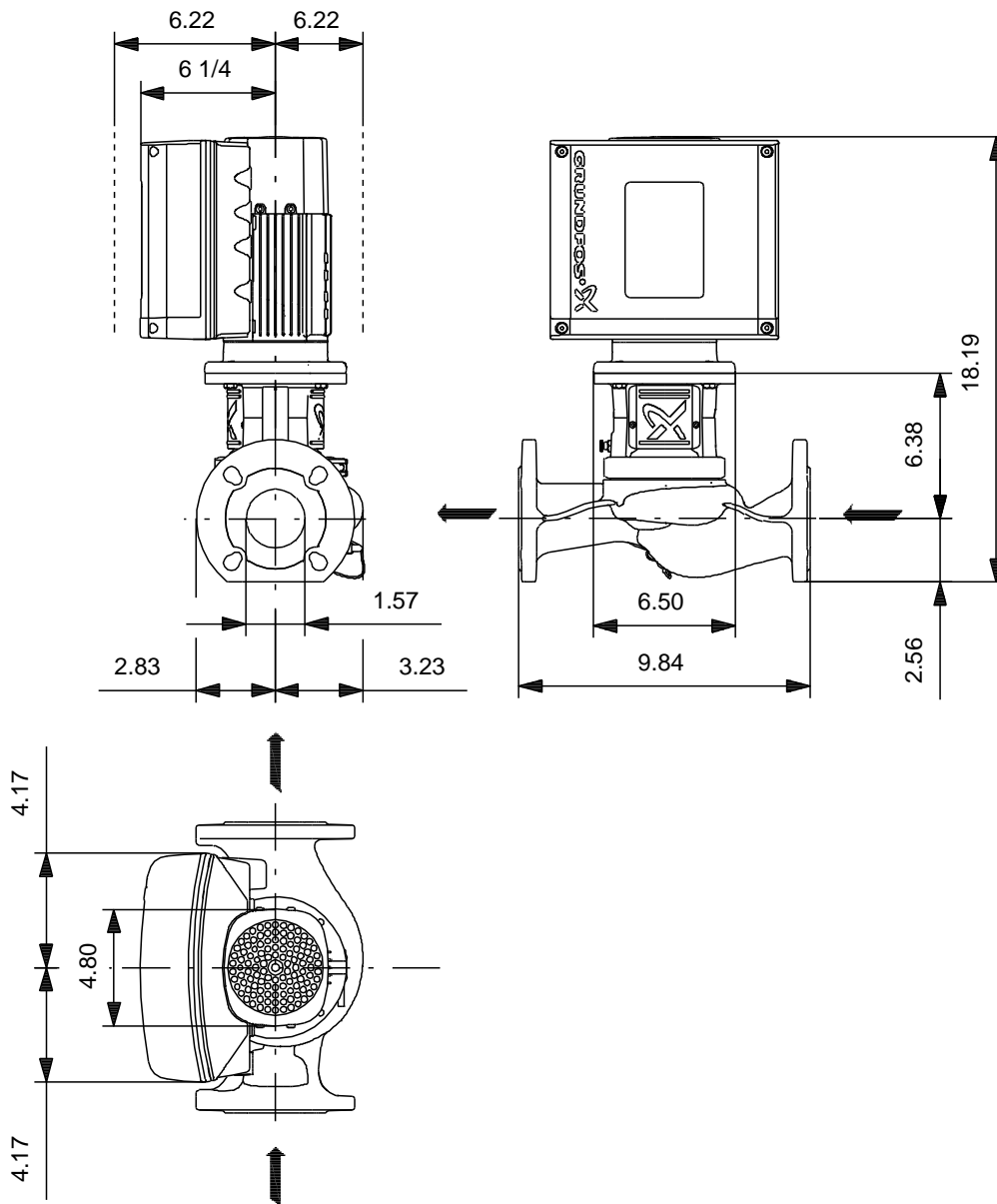
1/10/2019

Description	Value
Net weight:	55.8 lb
Gross weight:	71.7 lb
Shipping volume:	3570 ft ³
Config. file no:	98481395
Danish VVS No.:	381601240
Norwegian NRF no.:	9043461
Country of origin:	HU
Custom tariff no.:	84137051

99272254 TPE3 40-240-S A-F-A-BQQE 60 Hz

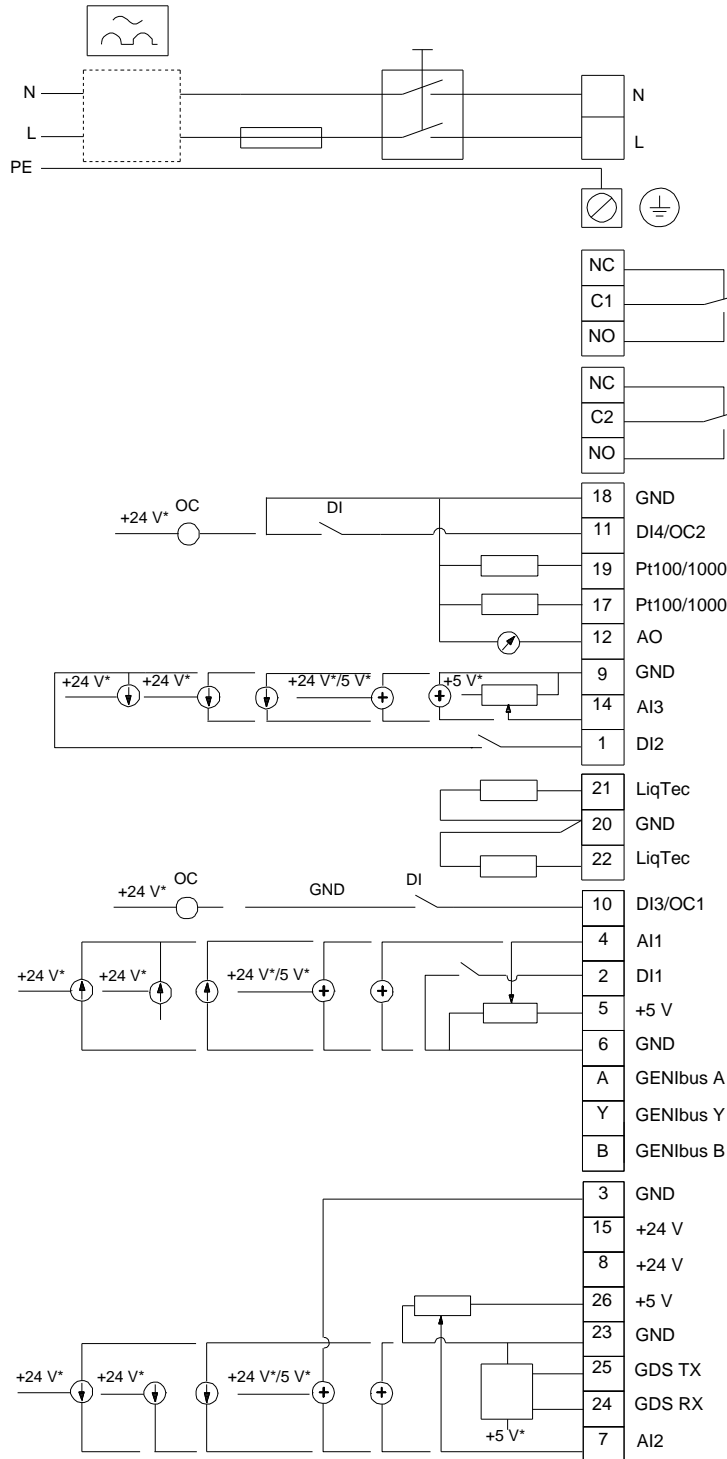


99272254 TPE3 40-240-S A-F-A-BQQE 60 Hz



Note! All units are in [mm] unless otherwise stated.
Disclaimer: This simplified dimensional drawing does not show all details.

99272254 TPE3 40-240-S A-F-A-BQQE 60 Hz



All units are [mm] unless otherwise presented.