


Count	Description
1	<p data-bbox="225 338 555 367">TPE3 32-180-S A-F-A-BQQE</p>  <p data-bbox="225 660 491 689">Product No.: 99272237</p> <p data-bbox="225 721 1406 797">Single-stage, close-coupled, volute pump with in-line suction and discharge ports of identical diameter. The pump is of the top-pull-out design, i.e. the power head (motor, pump head and impeller) can be removed for maintenance or service while the pump housing remains in the pipework.</p> <p data-bbox="225 806 1437 860">The shaft seal is according to EN 12756. Pipework connection is via PN 6/10 DIN flanges (EN 1092-2 and ISO 7005-2).</p> <p data-bbox="225 869 1433 922">The pump is fitted with a fan-cooled, permanent-magnet synchronous motor. The motor efficiency is classified as IE5 in accordance with IEC 60034-30-2.</p> <p data-bbox="225 931 1453 981">The motor includes a frequency converter and PI controller in the motor terminal box. This enables continuously variable control of the motor speed, which again enables adaptation of the performance to a given requirement.</p> <p data-bbox="225 1012 1118 1041">The pump is fitted with a combined temperature- and differential-pressure sensor.</p> <p data-bbox="225 1099 336 1128">Controls:</p> <p data-bbox="225 1128 667 1158">Frequency converter: Built-in</p> <p data-bbox="225 1189 312 1218">Liquid:</p> <p data-bbox="225 1218 657 1247">Pumped liquid: Water</p> <p data-bbox="225 1247 727 1276">Liquid temperature range: -13 .. 248 °F</p> <p data-bbox="225 1276 707 1305">Liquid temperature during operation: 68 °F</p> <p data-bbox="225 1305 708 1335">Density: 62.29 lb/ft³</p> <p data-bbox="225 1366 352 1395">Technical:</p> <p data-bbox="225 1395 826 1424">Pump speed on which pump data is based: 4700 rpm</p> <p data-bbox="225 1424 715 1453">Rated flow: 59 US gpm</p> <p data-bbox="225 1453 675 1482">Rated head: 36.09 ft</p> <p data-bbox="225 1482 663 1512">Actual impeller diameter: 2.44 in</p> <p data-bbox="225 1512 663 1541">Primary shaft seal: BQQE</p> <p data-bbox="225 1541 788 1570">Curve tolerance: ISO9906:2012 3B</p> <p data-bbox="225 1601 344 1630">Materials:</p> <p data-bbox="225 1630 903 1749">Pump housing: Cast iron EN-JL1040 ASTM A48-40 B</p> <p data-bbox="225 1720 903 1749">Impeller: Composite PES/PP 30% GF</p> <p data-bbox="225 1780 368 1809">Installation:</p> <p data-bbox="225 1809 715 1839">Range of ambient temperature: -4 .. 122 °F</p> <p data-bbox="225 1839 671 1868">Maximum operating pressure: 145 psi</p> <p data-bbox="225 1868 635 1897">Flange standard: DIN</p> <p data-bbox="225 1897 663 1926">Pipe connection: DN 32</p> <p data-bbox="225 1926 683 1955">Pressure stage: PN 6/10</p> <p data-bbox="225 1955 699 1984">Port-to-port length: 8 11/16 in</p> <p data-bbox="225 1984 635 2013">Flange size for motor: 56C</p> <p data-bbox="225 2045 405 2074">Electrical data:</p> <p data-bbox="225 2074 635 2103">Motor type: 71A</p>



Company name:

Created by:

Phone:

Date:

1/10/2019

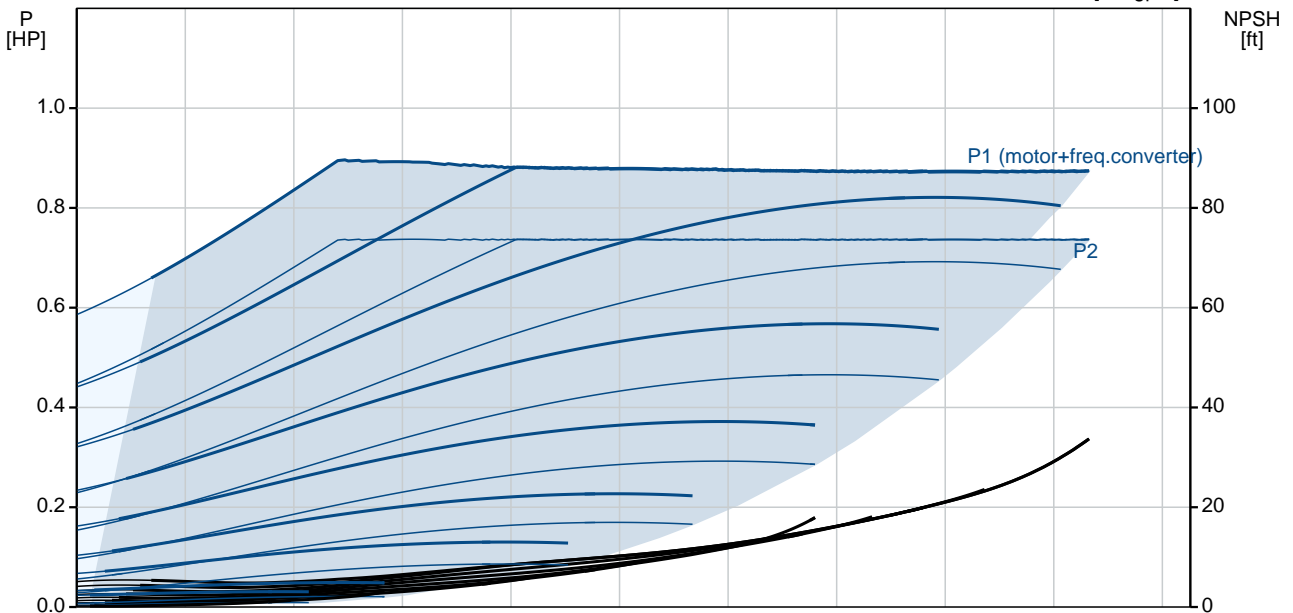
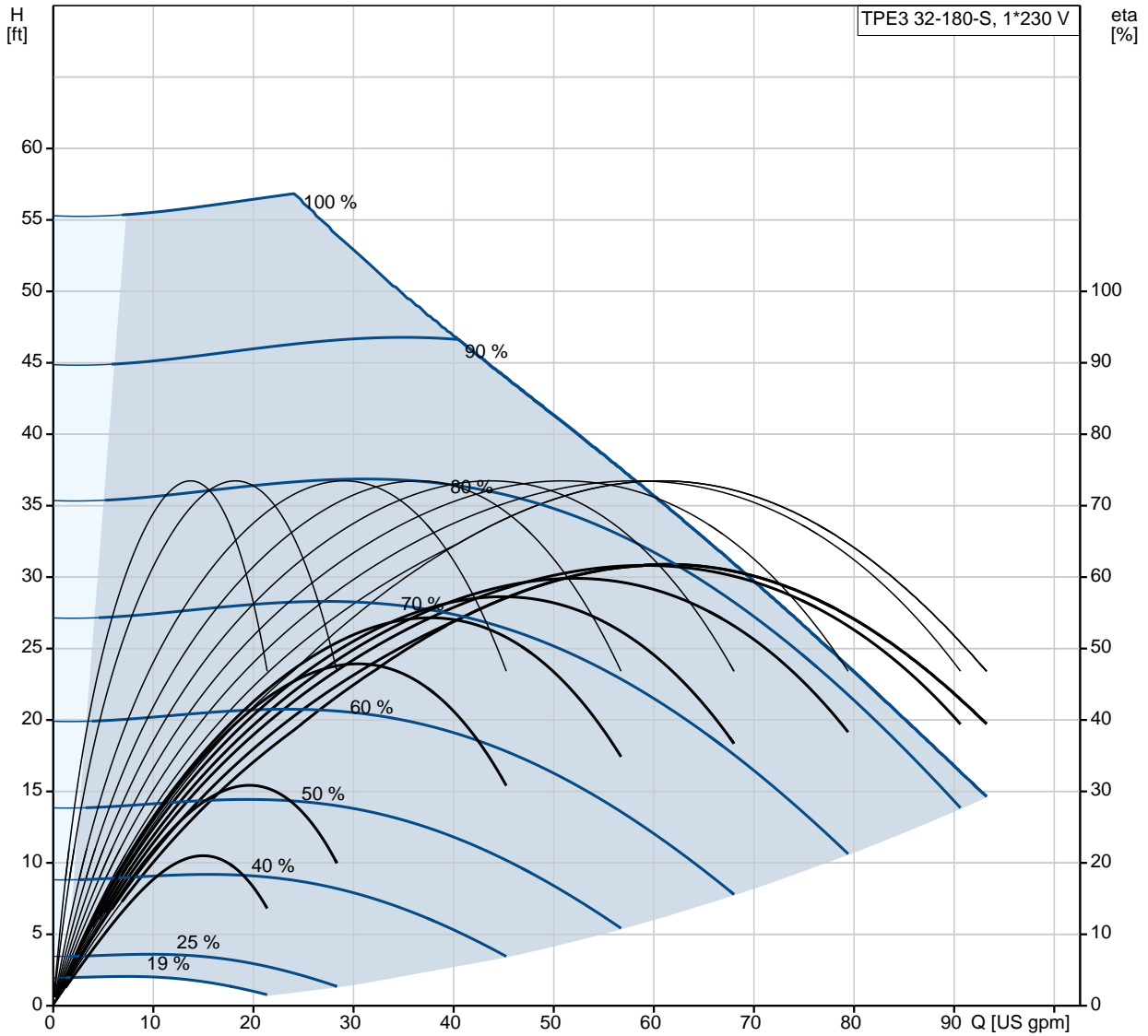
Count	Description
	IE Efficiency class: IE5
	Rated power - P2: 0.75 HP
	Main frequency: 60 Hz
	Rated voltage: 1 x 200-240 V
	Rated current: 3.60-3.00 A
	Cos phi - power factor: 0.96
	Rated speed: 480-5900 rpm
	IE efficiency: 84.9%
	Motor efficiency at full load: 84.9 %
	Enclosure class (IEC 34-5): IP55
	Insulation class (IEC 85): F
	Others:
	Minimum efficiency index, MEI : 0.7
	ErP status: EuP Standalone/Prod.
	Net weight: 48.1 lb
	Gross weight: 63.7 lb
	Shipping volume: 3570 ft ³
	Danish VVS No.: 381600180
	Norwegian NRF no.: 9043453
	Country of origin: HU
	Custom tariff no.: 84137051



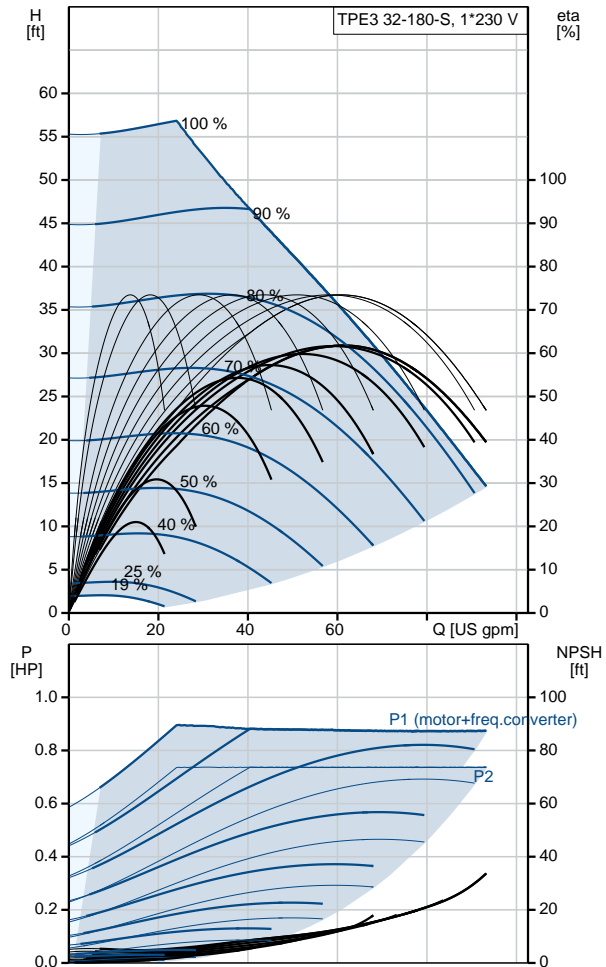
Company name:
Created by:
Phone:

Date: 1/10/2019

99272237 TPE3 32-180-S A-F-A-BQQE 60 Hz



Description	Value
General information:	
Product name:	TPE3 32-180-S A-F-A-BQQE
Product No.:	99272237
EAN:	5713826360757
Technical:	
Pump speed on which pump data is based:	4700 rpm
Rated flow:	59 US gpm
Rated head:	36.09 ft
Head max:	59.06 ft
Actual impeller diameter:	2.44 in
Primary shaft seal:	BQQE
Curve tolerance:	ISO9906:2012 3B
Pump version:	A
Model:	A
Materials:	
Pump housing:	Cast iron
	EN-JL1040
	ASTM A48-40 B
Impeller:	Composite PES/PP 30% GF
Material code:	A
Installation:	
Range of ambient temperature:	-4 .. 122 °F
Maximum operating pressure:	145 psi
Flange standard:	DIN
Pipe connection:	DN 32
Pressure stage:	PN 6/10
Port-to-port length:	8 11/16 in
Flange size for motor:	56C
Connect code:	F
Liquid:	
Pumped liquid:	Water
Liquid temperature range:	-13 .. 248 °F
Liquid temperature during operation:	68 °F
Density:	62.29 lb/ft ³
Electrical data:	
Motor type:	71A
IE Efficiency class:	IE5
Rated power - P2:	0.75 HP
Main frequency:	60 Hz
Rated voltage:	1 x 200-240 V
Rated current:	3.60-3.00 A
Cos phi - power factor:	0.96
Rated speed:	480-5900 rpm
IE efficiency:	84.9%
Motor efficiency at full load:	84.9 %
Enclosure class (IEC 34-5):	IP55
Insulation class (IEC 85):	F
Motor protection:	YES
Motor Number:	99138023
Controls:	
Control panel:	HMI300 - Graphical
Function Module:	FM300 - Advanced
Frequency converter:	Built-in
Others:	
Minimum efficiency index, MEI :	0.7
ErP status:	EuP Standalone/Prod.





Company name:

Created by:

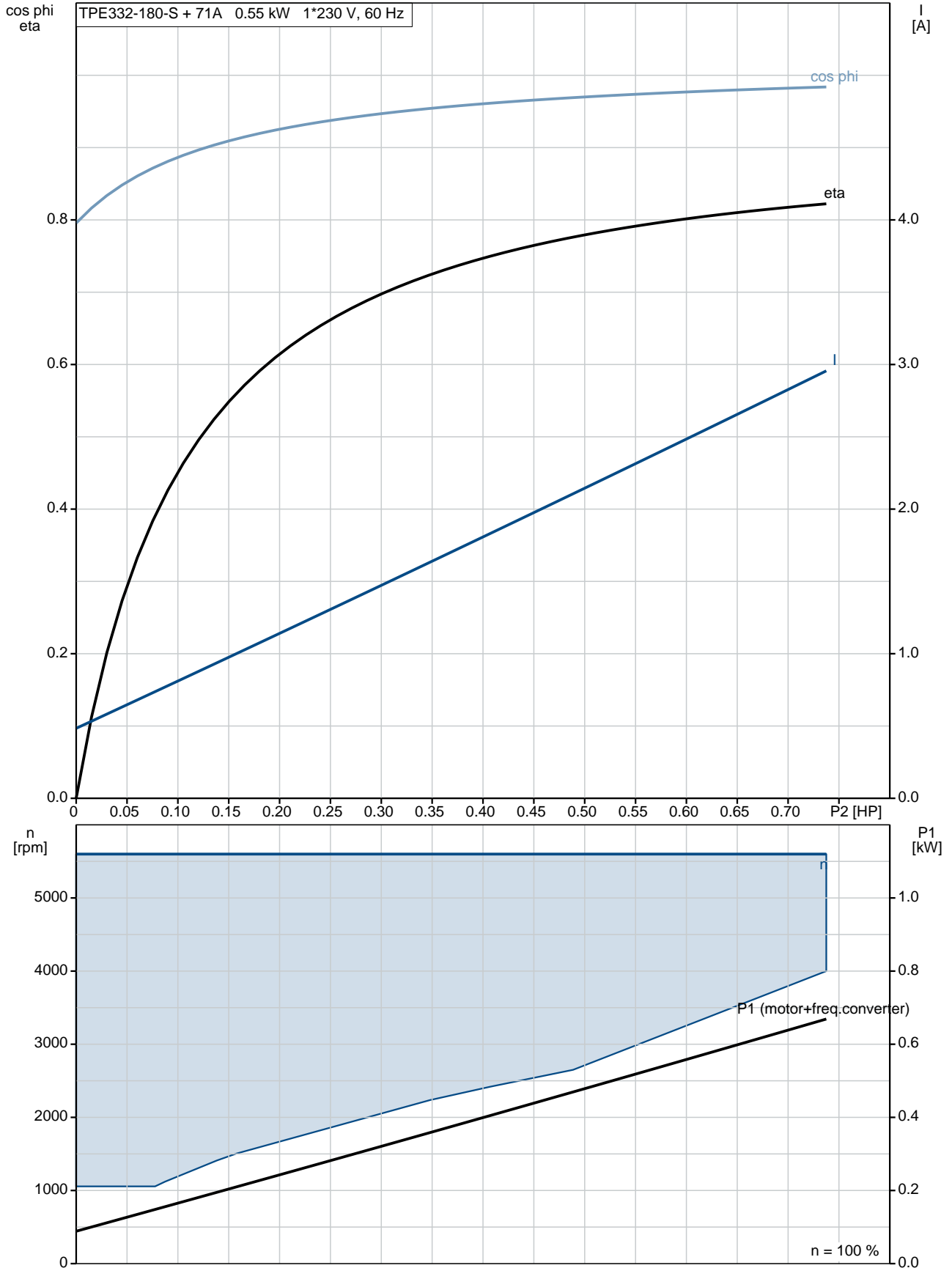
Phone:

Date:

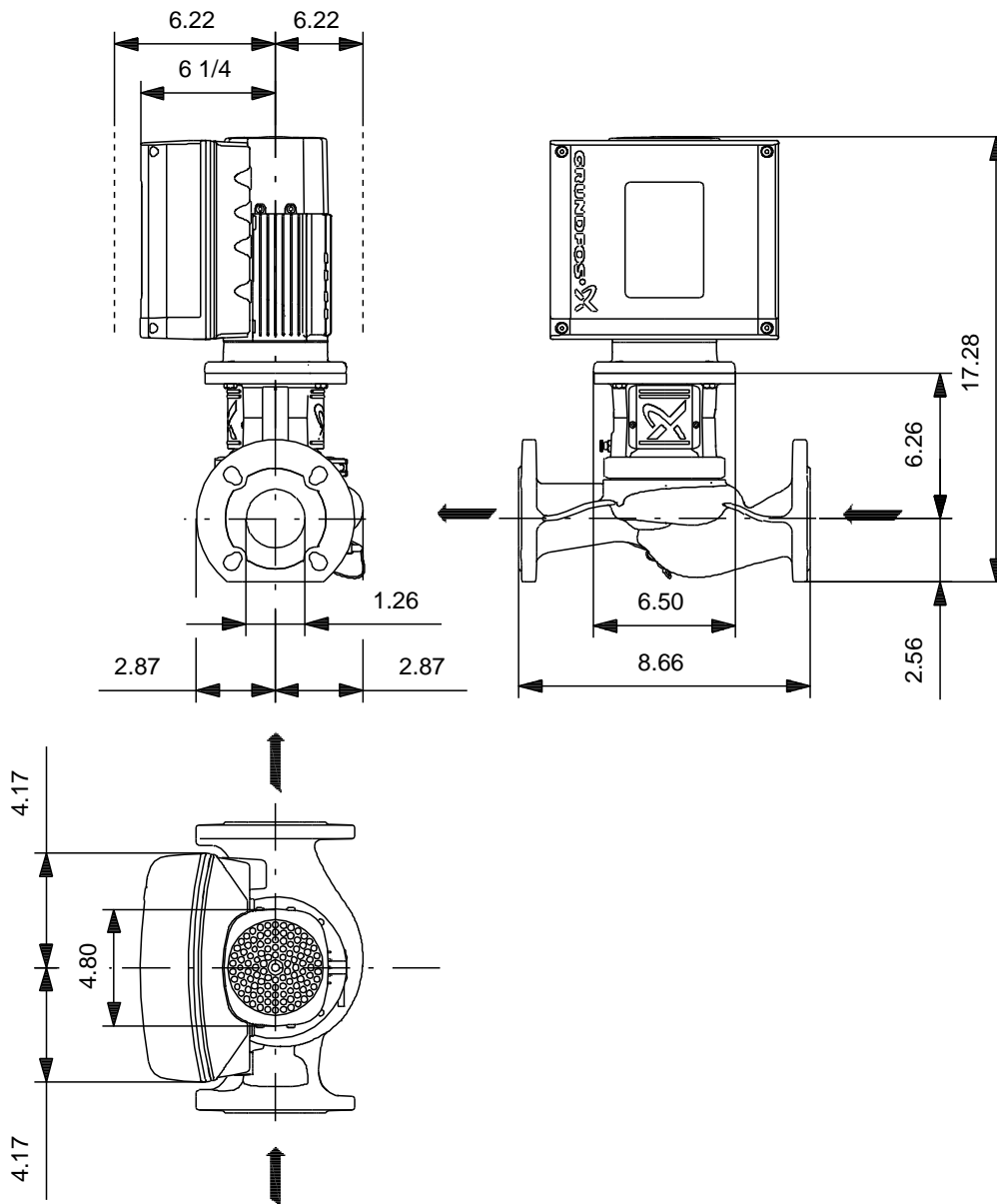
1/10/2019

Description	Value
Net weight:	48.1 lb
Gross weight:	63.7 lb
Shipping volume:	3570 ft ³
Config. file no:	98481318
Danish VVS No.:	381600180
Norwegian NRF no.:	9043453
Country of origin:	HU
Custom tariff no.:	84137051

99272237 TPE3 32-180-S A-F-A-BQQE 60 Hz

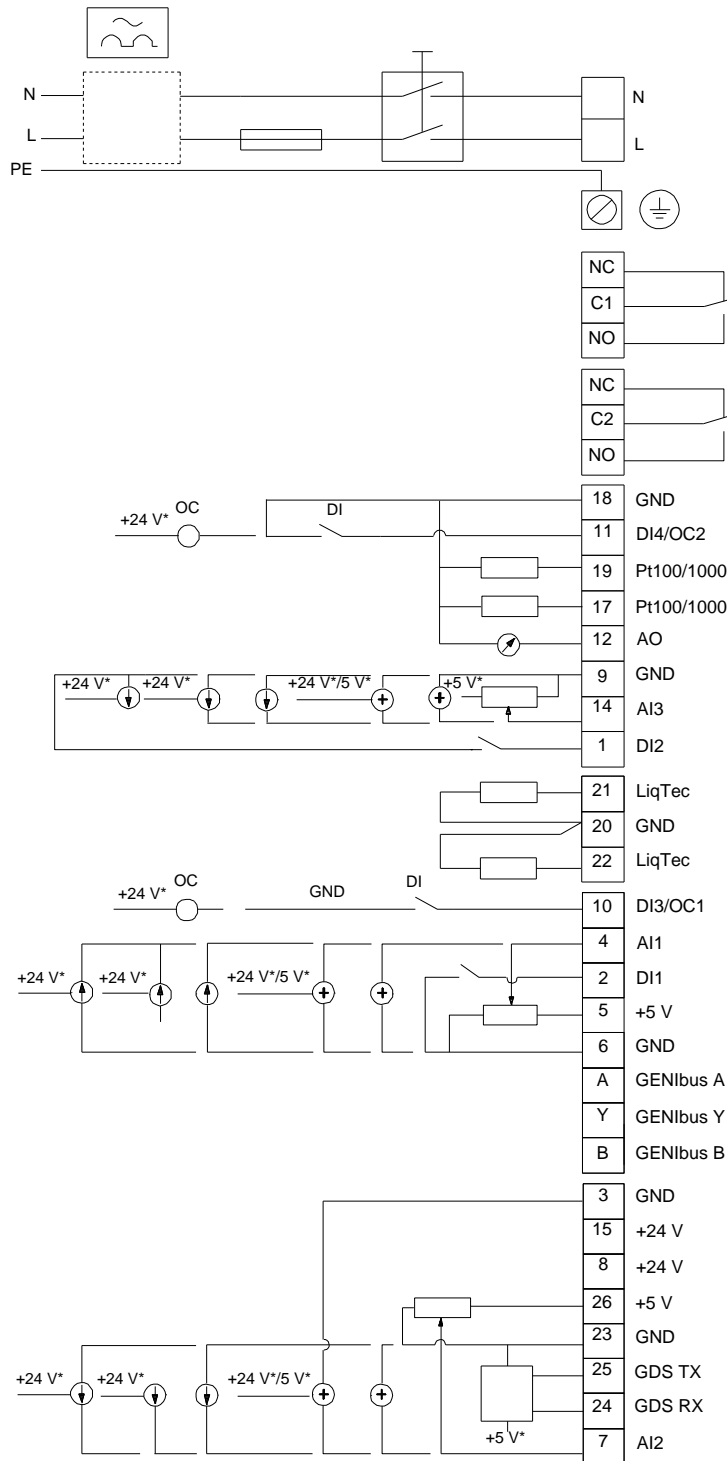


99272237 TPE3 32-180-S A-F-A-BQQE 60 Hz



Note! All units are in [mm] unless otherwise stated.
Disclaimer: This simplified dimensional drawing does not show all details.

99272237 TPE3 32-180-S A-F-A-BQQE 60 Hz



All units are [mm] unless otherwise presented.