


Count	Description
1	<p data-bbox="225 338 555 367"><b>TPE3 32-120-S A-F-A-BQQE</b></p>  <p data-bbox="225 663 491 692">Product No.: <a href="#">99272235</a></p> <p data-bbox="225 723 1406 797">Single-stage, close-coupled, volute pump with in-line suction and discharge ports of identical diameter. The pump is of the top-pull-out design, i.e. the power head (motor, pump head and impeller) can be removed for maintenance or service while the pump housing remains in the pipework.</p> <p data-bbox="225 806 1437 857">The shaft seal is according to EN 12756. Pipework connection is via PN 6/10 DIN flanges (EN 1092-2 and ISO 7005-2).</p> <p data-bbox="225 866 1433 918">The pump is fitted with a fan-cooled, permanent-magnet synchronous motor. The motor efficiency is classified as IE5 in accordance with IEC 60034-30-2.</p> <p data-bbox="225 927 1453 978">The motor includes a frequency converter and PI controller in the motor terminal box. This enables continuously variable control of the motor speed, which again enables adaptation of the performance to a given requirement.</p> <p data-bbox="225 1010 1118 1039">The pump is fitted with a combined temperature- and differential-pressure sensor.</p> <p data-bbox="225 1099 336 1128"><b>Controls:</b></p> <p data-bbox="225 1128 667 1158">Frequency converter: Built-in</p> <p data-bbox="225 1189 312 1218"><b>Liquid:</b></p> <p data-bbox="225 1218 659 1247">Pumped liquid: Water</p> <p data-bbox="225 1247 727 1276">Liquid temperature range: -13 .. 248 °F</p> <p data-bbox="225 1276 707 1305">Liquid temperature during operation: 68 °F</p> <p data-bbox="225 1305 708 1335">Density: 62.29 lb/ft<sup>3</sup></p> <p data-bbox="225 1366 352 1395"><b>Technical:</b></p> <p data-bbox="225 1395 826 1424">Pump speed on which pump data is based: 3600 rpm</p> <p data-bbox="225 1424 715 1453">Rated flow: 48 US gpm</p> <p data-bbox="225 1453 675 1482">Rated head: 20.34 ft</p> <p data-bbox="225 1482 667 1512">Actual impeller diameter: 2.44 in</p> <p data-bbox="225 1512 663 1541">Primary shaft seal: BQQE</p> <p data-bbox="225 1541 786 1570">Curve tolerance: ISO9906:2012 3B</p> <p data-bbox="225 1601 344 1630"><b>Materials:</b></p> <p data-bbox="225 1630 903 1749">Pump housing: Cast iron EN-JL1040 ASTM A48-40 B</p> <p data-bbox="225 1720 903 1749">Impeller: Composite PES/PP 30% GF</p> <p data-bbox="225 1780 368 1809"><b>Installation:</b></p> <p data-bbox="225 1809 715 1839">Range of ambient temperature: -4 .. 122 °F</p> <p data-bbox="225 1839 671 1868">Maximum operating pressure: 145 psi</p> <p data-bbox="225 1868 635 1897">Flange standard: DIN</p> <p data-bbox="225 1897 663 1926">Pipe connection: DN 32</p> <p data-bbox="225 1926 683 1955">Pressure stage: PN 6/10</p> <p data-bbox="225 1955 699 1984">Port-to-port length: 8 11/16 in</p> <p data-bbox="225 1984 635 2013">Flange size for motor: 56C</p> <p data-bbox="225 2045 405 2074"><b>Electrical data:</b></p> <p data-bbox="225 2074 635 2103">Motor type: 71A</p>



Company name:

Created by:

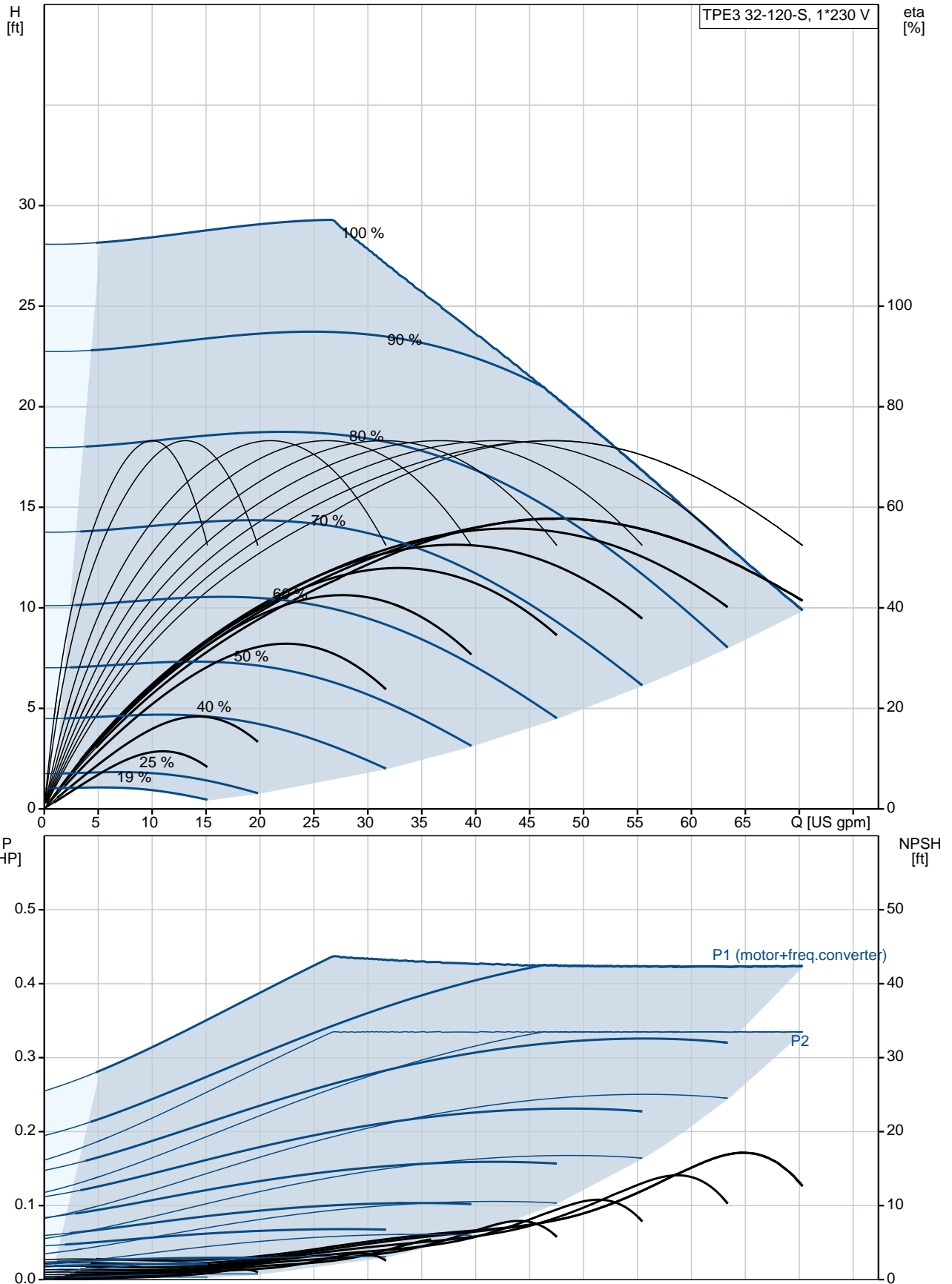
Phone:

Date:

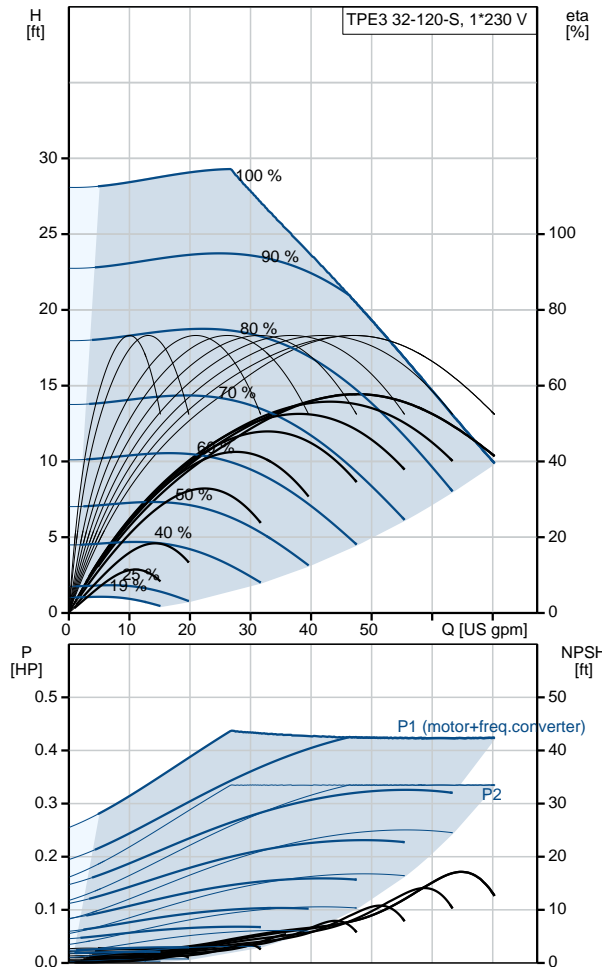
1/10/2019

Count	Description
	IE Efficiency class: IE5
	Rated power - P2: 0.33 HP
	Main frequency: 60 Hz
	Rated voltage: 1 x 200-240 V
	Rated current: 1.75-1.50 A
	Cos phi - power factor: 0.95
	Rated speed: 360-4000 rpm
	IE efficiency: 81.1%
	Motor efficiency at full load: 81.1 %
	Enclosure class (IEC 34-5): IP55
	Insulation class (IEC 85): F
	<b>Others:</b>
	Minimum efficiency index, MEI : 0.7
	ErP status: EuP Standalone/Prod.
	Net weight: 48.1 lb
	Gross weight: 63.7 lb
	Shipping volume: 3570 ft <sup>3</sup>
	Danish VVS No.: 381600120
	Norwegian NRF no.: 9043451
	Country of origin: HU
	Custom tariff no.: 84137051

## 99272235 TPE3 32-120-S A-F-A-BQQE 60 Hz



Description	Value
<b>General information:</b>	
Product name:	TPE3 32-120-S A-F-A-BQQE
Product No.:	99272235
EAN:	5713826360719
<b>Technical:</b>	
Pump speed on which pump data is based:	3600 rpm
Rated flow:	48 US gpm
Rated head:	20.34 ft
Head max:	39.37 ft
Actual impeller diameter:	2.44 in
Primary shaft seal:	BQQE
Curve tolerance:	ISO9906:2012 3B
Pump version:	A
Model:	A
<b>Materials:</b>	
Pump housing:	Cast iron
	EN-JL1040
	ASTM A48-40 B
Impeller:	Composite PES/PP 30% GF
Material code:	A
<b>Installation:</b>	
Range of ambient temperature:	-4 .. 122 °F
Maximum operating pressure:	145 psi
Flange standard:	DIN
Pipe connection:	DN 32
Pressure stage:	PN 6/10
Port-to-port length:	8 11/16 in
Flange size for motor:	56C
Connect code:	F
<b>Liquid:</b>	
Pumped liquid:	Water
Liquid temperature range:	-13 .. 248 °F
Liquid temperature during operation:	68 °F
Density:	62.29 lb/ft <sup>3</sup>
<b>Electrical data:</b>	
Motor type:	71A
IE Efficiency class:	IE5
Rated power - P2:	0.33 HP
Main frequency:	60 Hz
Rated voltage:	1 x 200-240 V
Rated current:	1.75-1.50 A
Cos phi - power factor:	0.95
Rated speed:	360-4000 rpm
IE efficiency:	81.1%
Motor efficiency at full load:	81.1 %
Enclosure class (IEC 34-5):	IP55
Insulation class (IEC 85):	F
Motor protection:	YES
Motor Number:	99137982
<b>Controls:</b>	
Control panel:	HMI300 - Graphical
Function Module:	FM300 - Advanced
Frequency converter:	Built-in
<b>Others:</b>	
Minimum efficiency index, MEI :	0.7
ErP status:	EuP Standalone/Prod.





Company name:

Created by:

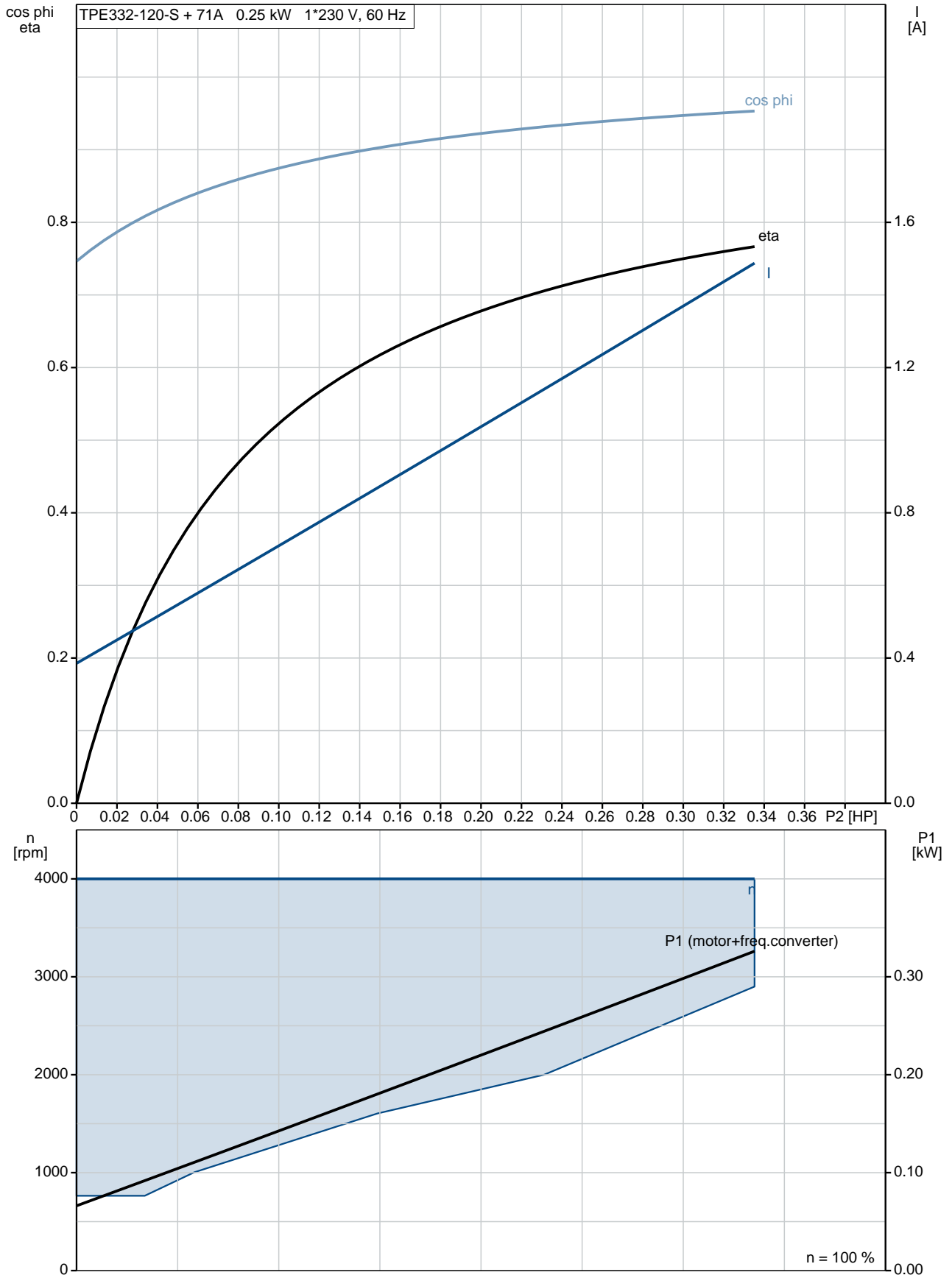
Phone:

Date:

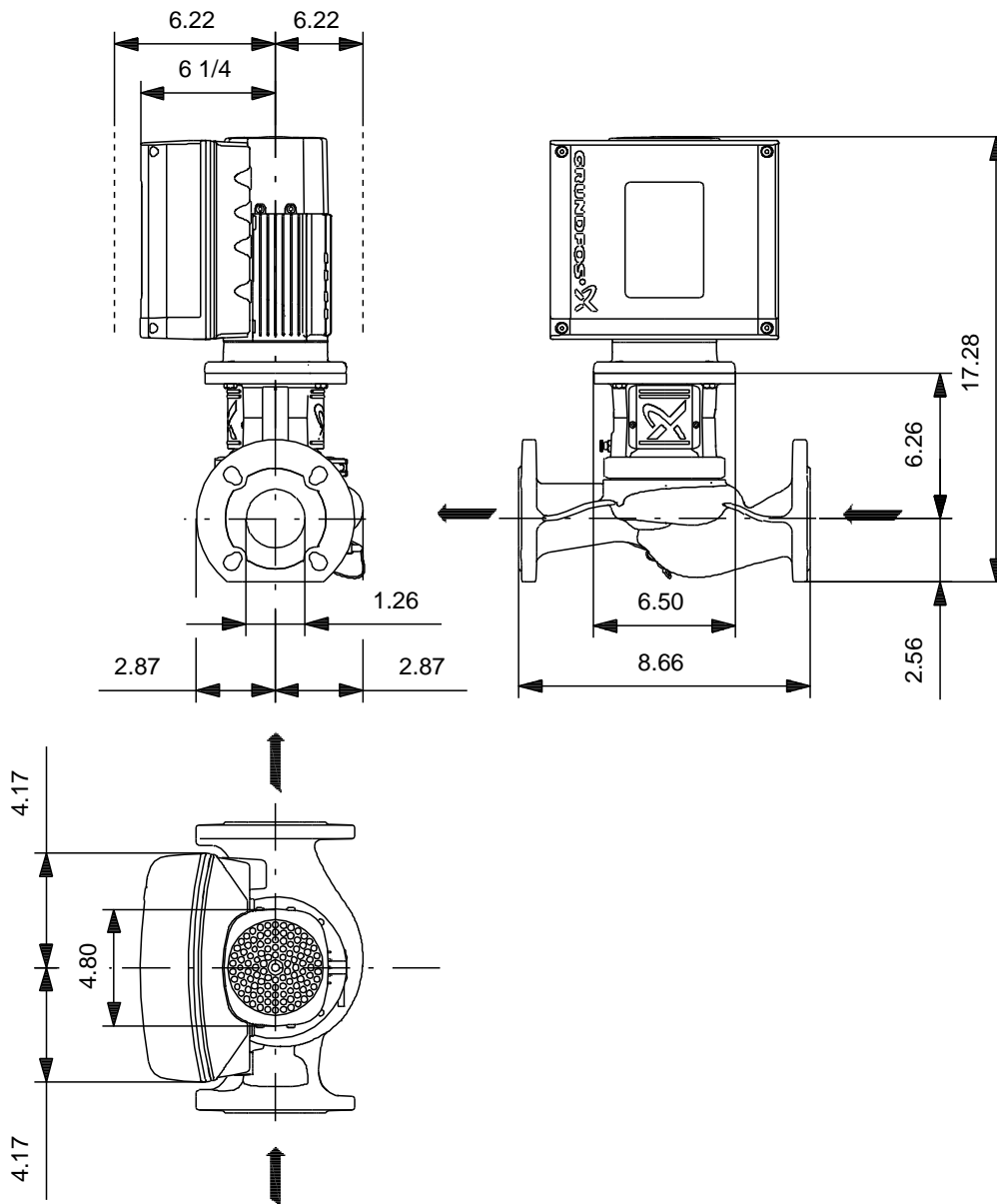
1/10/2019

Description	Value
Net weight:	48.1 lb
Gross weight:	63.7 lb
Shipping volume:	3570 ft <sup>3</sup>
Config. file no:	98481316
Danish VVS No.:	381600120
Norwegian NRF no.:	9043451
Country of origin:	HU
Custom tariff no.:	84137051

## 99272235 TPE3 32-120-S A-F-A-BQQE 60 Hz

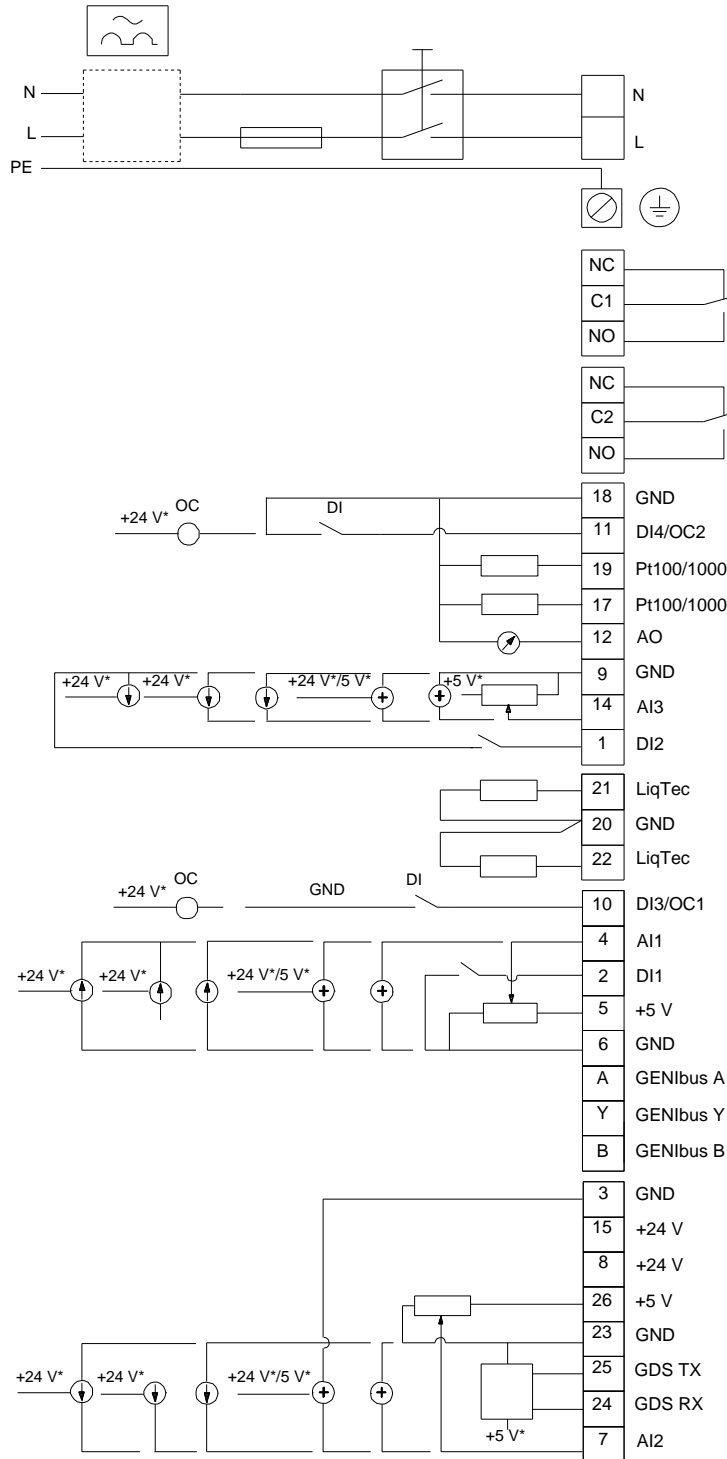


**99272235 TPE3 32-120-S A-F-A-BQQE 60 Hz**



Note! All units are in [mm] unless otherwise stated.  
Disclaimer: This simplified dimensional drawing does not show all details.

## 99272235 TPE3 32-120-S A-F-A-BQQE 60 Hz



All units are [mm] unless otherwise presented.