

**Qty. Description**

1 TPE3 32-80-S A-F-A-BQQE



Product No.: [99272234](#)

Single-stage, close-coupled, volute pump with in-line suction and discharge ports of identical diameter. The pump is of the top-pull-out design, i.e. the power head (motor, pump head and impeller) can be removed for maintenance or service while the pump housing remains in the pipework.

The shaft seal is according to EN 12756. Pipework connection is via PN 6/10 DIN flanges (EN 1092-2 and ISO 7005-2).

The pump is fitted with a fan-cooled, permanent-magnet synchronous motor. The motor efficiency is classified as IE5 in accordance with IEC 60034-30-2.

The motor includes a frequency converter and PI controller in the motor terminal box. This enables continuously variable control of the motor speed, which again enables adaptation of the performance to a given requirement.

The pump is fitted with a combined temperature- and differential-pressure sensor.

**Controls:**

Frequency converter: Built-in

**Liquid:**

Pumped liquid: Water  
 Liquid temperature range: -25 .. 120 °C  
 Liquid temperature during operation: 20 °C  
 Density: 998.2 kg/m<sup>3</sup>

**Technical:**

Pump speed on which pump data are based: 3450 rpm  
 Rated flow: 10.7 m<sup>3</sup>/h  
 Rated head: 5.9 m  
 Actual impeller diameter: 62 mm  
 Primary shaft seal: BQQE  
 Curve tolerance: ISO9906:2012 3B

**Materials:**

Pump housing: Cast iron  
 EN-JL1040  
 ASTM A48-40 B  
 Impeller: Composite PES/PP 30% GF

**Installation:**

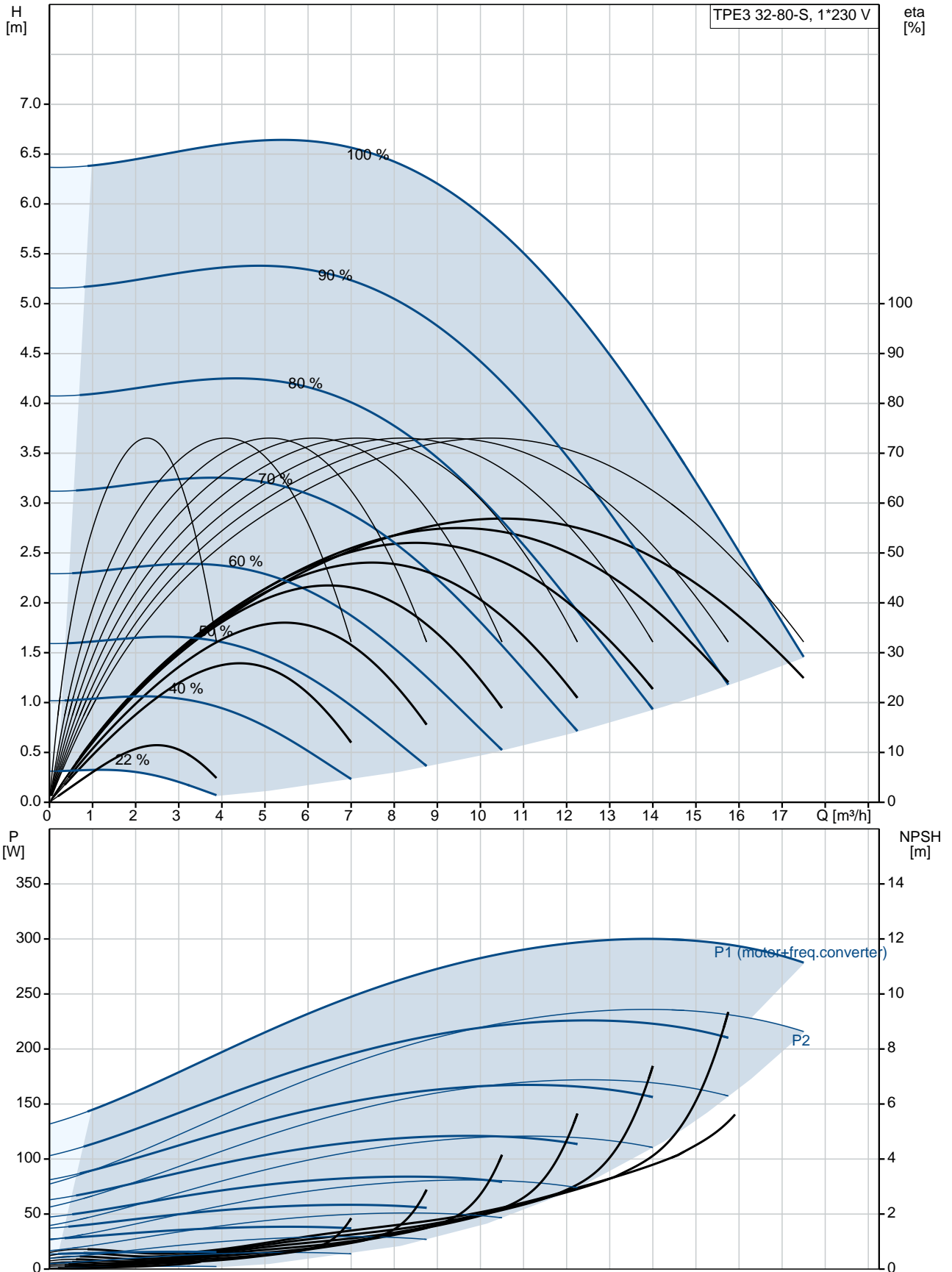
Range of ambient temperature: -20 .. 50 °C  
 Maximum operating pressure: 10 bar  
 Flange standard: DIN  
 Pipe connection: DN 32  
 Pressure rating: PN 6/10  
 Port-to-port length: 220 mm  
 Flange size for motor: 56C

**Electrical data:**

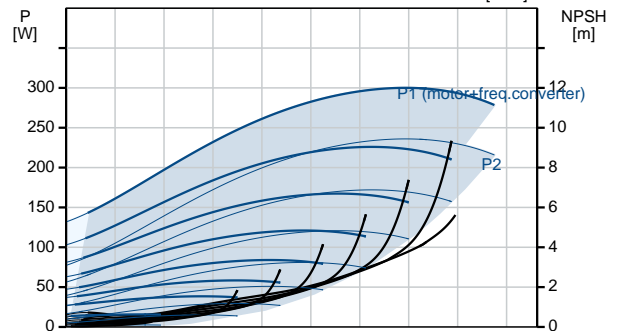
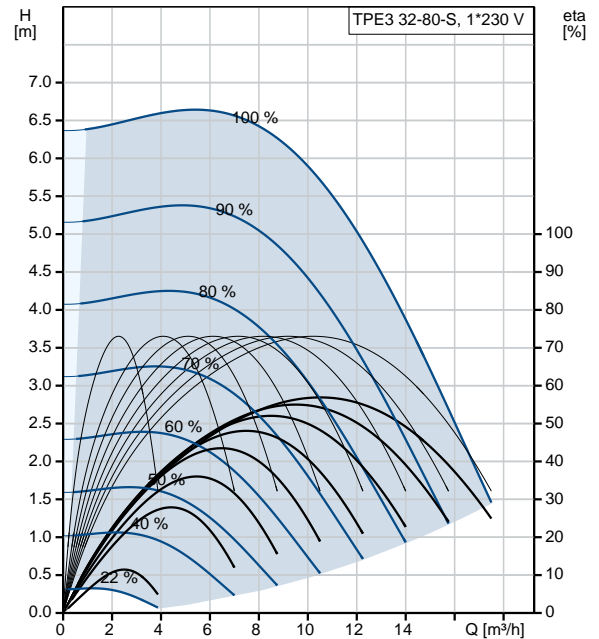
Motor type: 71A  
 IE Efficiency class: IE5

Qty.	Description
	<p>Rated power - P2: 0.25 kW Mains frequency: 50 Hz Rated voltage: 1 x 200-240 V Rated current: 1.75-1.50 A Cos phi - power factor: 0.95 Rated speed: 360-4000 rpm Efficiency: 81.1% Motor efficiency at full load: 81.1 % Enclosure class (IEC 34-5): IP55 Insulation class (IEC 85): F</p> <p><b>Others:</b> Minimum efficiency index, MEI =: 0.7 ErP status: EuP Standalone/Prod. Net weight: 21.8 kg Gross weight: 28.9 kg Shipping volume: 101 m<sup>3</sup> Danish VVS No.: 381600080 Norwegian NRF no.: 9043449 Country of origin: HU Custom tariff no.: 84137051</p>

## 99272234 TPE3 32-80-S A-F-A-BQQE 50 Hz



Description	Value
<b>General information:</b>	
Product name:	TPE3 32-80-S A-F-A-BQQE
Product No:	<a href="#">99272234</a>
EAN number:	5713826360597
Price:	2.218,00 GBP
<b>Technical:</b>	
Pump speed on which pump data are based:	3450 rpm
Rated flow:	10.7 m <sup>3</sup> /h
Rated head:	5.9 m
Head max:	80 dm
Actual impeller diameter:	62 mm
Primary shaft seal:	BQQE
Curve tolerance:	ISO9906:2012 3B
Pump version:	A
Model:	A
<b>Materials:</b>	
Pump housing:	Cast iron
	EN-JL1040
	ASTM A48-40 B
Impeller:	Composite PES/PP 30% GF
Material code:	A
<b>Installation:</b>	
Range of ambient temperature:	-20 .. 50 °C
Maximum operating pressure:	10 bar
Flange standard:	DIN
Pipe connection:	DN 32
Pressure rating:	PN 6/10
Port-to-port length:	220 mm
Flange size for motor:	56C
Connect code:	F
<b>Liquid:</b>	
Pumped liquid:	Water
Liquid temperature range:	-25 .. 120 °C
Liquid temperature during operation:	20 °C
Density:	998.2 kg/m <sup>3</sup>
<b>Electrical data:</b>	
Motor type:	71A
IE Efficiency class:	IE5
Rated power - P2:	0.25 kW
Mains frequency:	50 Hz
Rated voltage:	1 x 200-240 V
Rated current:	1.75-1.50 A
Cos phi - power factor:	0.95
Rated speed:	360-4000 rpm
Efficiency:	81.1%
Motor efficiency at full load:	81.1 %
Enclosure class (IEC 34-5):	IP55
Insulation class (IEC 85):	F
Motor protect:	YES
Motor No:	99137982
<b>Controls:</b>	
Control panel:	HMI300 - Graphical
Function Module:	FM300 - Advanced
Frequency converter:	Built-in
<b>Others:</b>	
Minimum efficiency index, MEI =:	0.7
ErP status:	EuP Standalone/Prod.





Company name:

Created by:

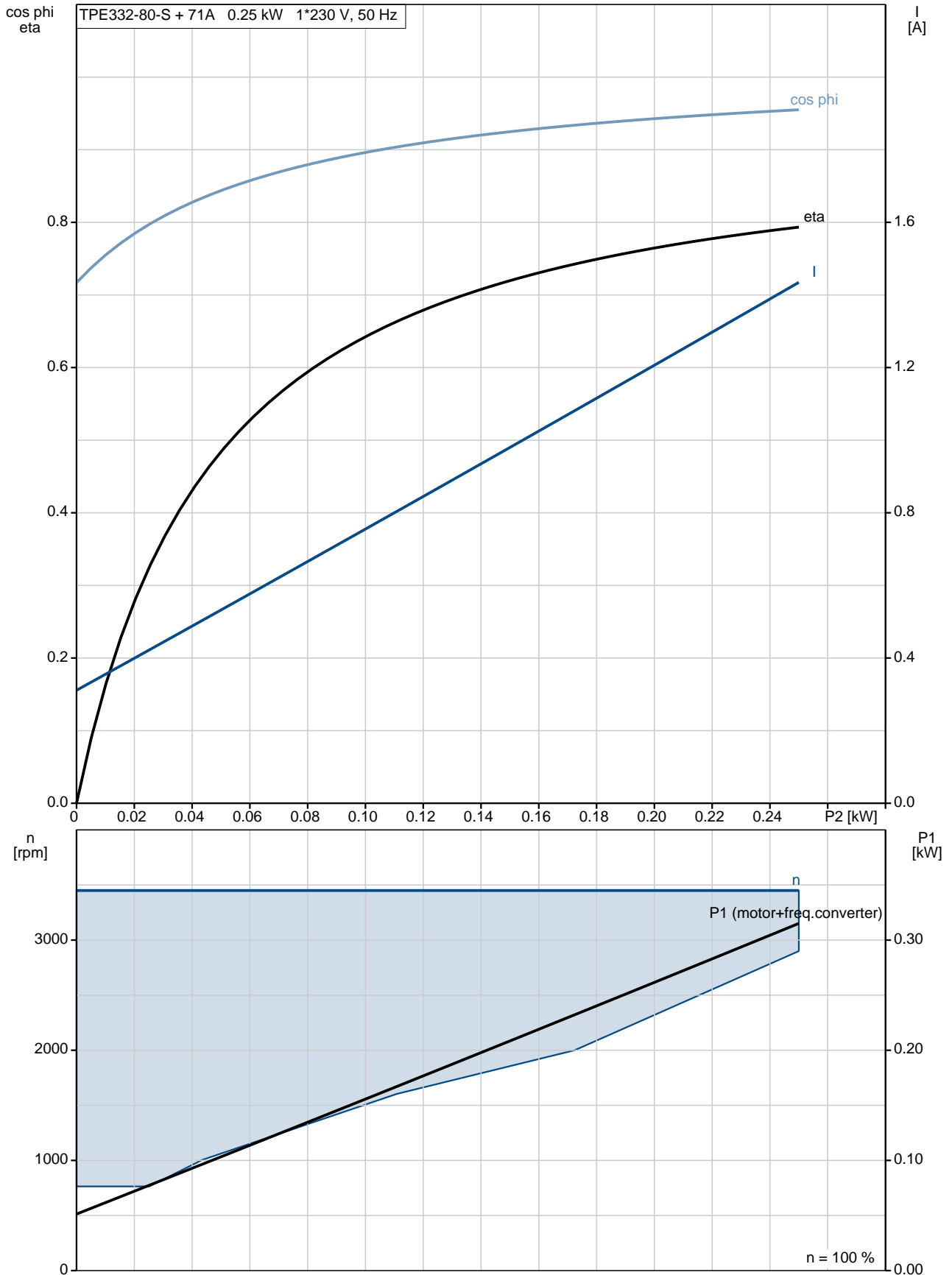
Phone:

Date:

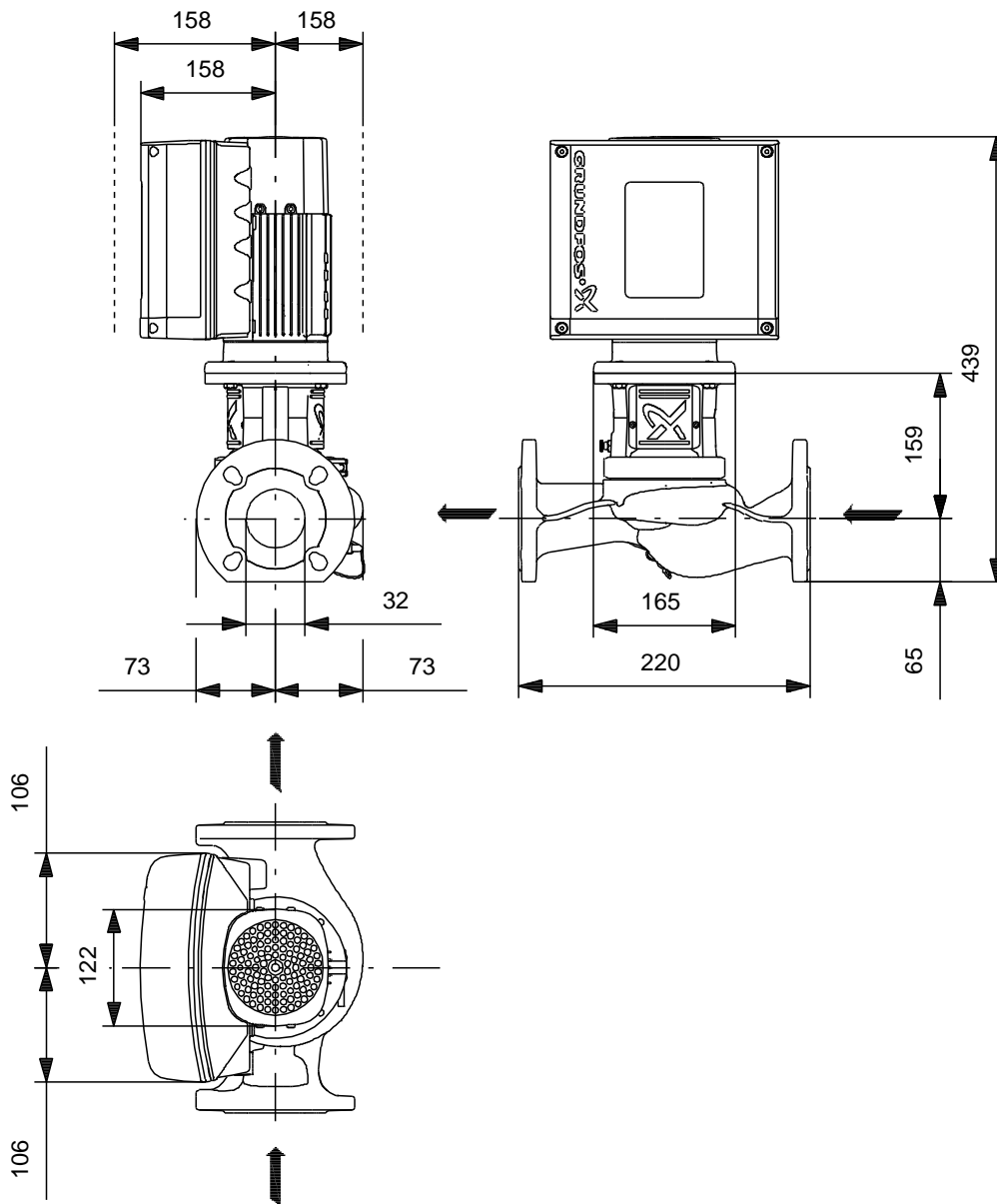
10/01/2019

Description	Value
Net weight:	21.8 kg
Gross weight:	28.9 kg
Shipping volume:	101 m <sup>3</sup>
Config. file no:	98481315
Danish VVS No.:	381600080
Norwegian NRF no.:	9043449
Country of origin:	HU
Custom tariff no.:	84137051

## 99272234 TPE3 32-80-S A-F-A-BQQE 50 Hz

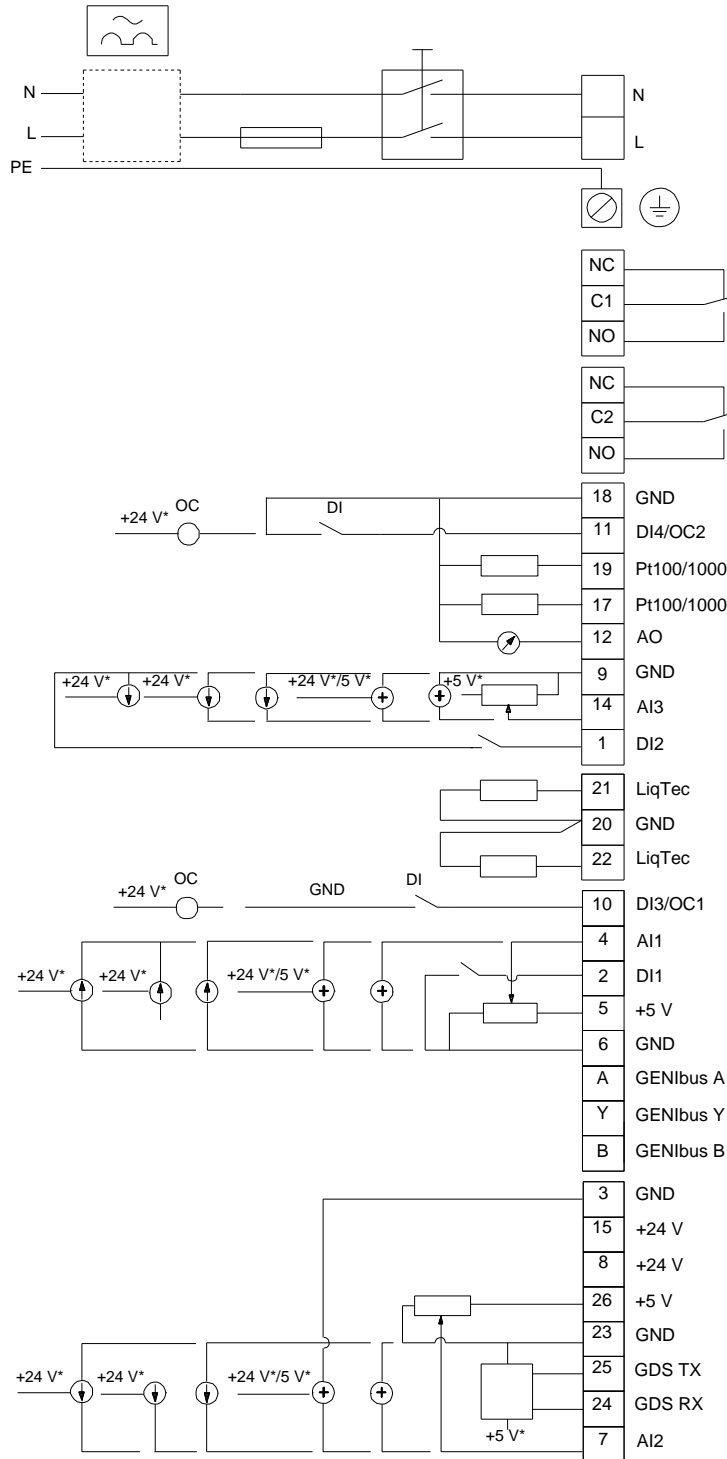


**99272234 TPE3 32-80-S A-F-A-BQQE 50 Hz**



Note! All units are in [mm] unless others are stated.  
Disclaimer: This simplified dimensional drawing does not show all details.

## 99272234 TPE3 32-80-S A-F-A-BQQE 50 Hz



Note! All units are in [mm] unless others are stated.