

Count	Description
1	<p data-bbox="225 342 568 365"><b>TPE3 100-120-S A-F-A-BQQE</b></p> <div data-bbox="327 416 483 622" data-label="Image"> </div> <p data-bbox="225 663 491 685">Product No.: <a href="#">99272200</a></p> <p data-bbox="225 723 1406 797">Single-stage, close-coupled, volute pump with in-line suction and discharge ports of identical diameter. The pump is of the top-pull-out design, i.e. the power head (motor, pump head and impeller) can be removed for maintenance or service while the pump housing remains in the pipework.</p> <p data-bbox="225 808 1417 857">The shaft seal is according to EN 12756. Pipework connection is via PN 10 DIN flanges (EN 1092-2 and ISO 7005-2).</p> <p data-bbox="225 869 1430 916">The pump is fitted with a fan-cooled, permanent-magnet synchronous motor. The motor efficiency is classified as IE5 in accordance with IEC 60034-30-2.</p> <p data-bbox="225 927 1453 974">The motor includes a frequency converter and PI controller in the motor terminal box. This enables continuously variable control of the motor speed, which again enables adaptation of the performance to a given requirement.</p> <p data-bbox="225 1010 1118 1032">The pump is fitted with a combined temperature- and differential-pressure sensor.</p> <p data-bbox="225 1099 336 1122"><b>Controls:</b></p> <p data-bbox="225 1133 667 1155">Frequency converter: Built-in</p> <p data-bbox="225 1189 312 1211"><b>Liquid:</b></p> <p data-bbox="225 1223 655 1245">Pumped liquid: Water</p> <p data-bbox="225 1256 727 1279">Liquid temperature range: -13 .. 248 °F</p> <p data-bbox="225 1290 703 1312">Liquid temperature during operation: 68 °F</p> <p data-bbox="225 1323 703 1346">Density: 62.29 lb/ft<sup>3</sup></p> <p data-bbox="225 1379 352 1402"><b>Technical:</b></p> <p data-bbox="225 1413 826 1435">Pump speed on which pump data is based: 3000 rpm</p> <p data-bbox="225 1447 727 1469">Rated flow: 184 US gpm</p> <p data-bbox="225 1480 671 1503">Rated head: 23.95 ft</p> <p data-bbox="225 1514 663 1536">Actual impeller diameter: 3.54 in</p> <p data-bbox="225 1547 663 1570">Primary shaft seal: BQQE</p> <p data-bbox="225 1581 783 1603">Curve tolerance: ISO9906:2012 3B</p> <p data-bbox="225 1637 344 1659"><b>Materials:</b></p> <p data-bbox="225 1671 903 1749">Pump housing: Cast iron EN-JL1040 ASTM A48-40 B</p> <p data-bbox="225 1760 903 1783">Impeller: Composite PES/PP 30% GF</p> <p data-bbox="225 1816 368 1839"><b>Installation:</b></p> <p data-bbox="225 1850 711 1872">Range of ambient temperature: -4 .. 122 °F</p> <p data-bbox="225 1883 671 1906">Maximum operating pressure: 145 psi</p> <p data-bbox="225 1917 632 1939">Flange standard: DIN</p> <p data-bbox="225 1951 671 1973">Pipe connection: DN 100</p> <p data-bbox="225 1984 663 2007">Pressure stage: PN 10</p> <p data-bbox="225 2018 687 2040">Port-to-port length: 17 3/4 in</p> <p data-bbox="225 2051 632 2074">Flange size for motor: 56C</p> <p data-bbox="225 2107 400 2130"><b>Electrical data:</b></p> <p data-bbox="225 2141 632 2163">Motor type: 80B</p>



Company name:

Created by:

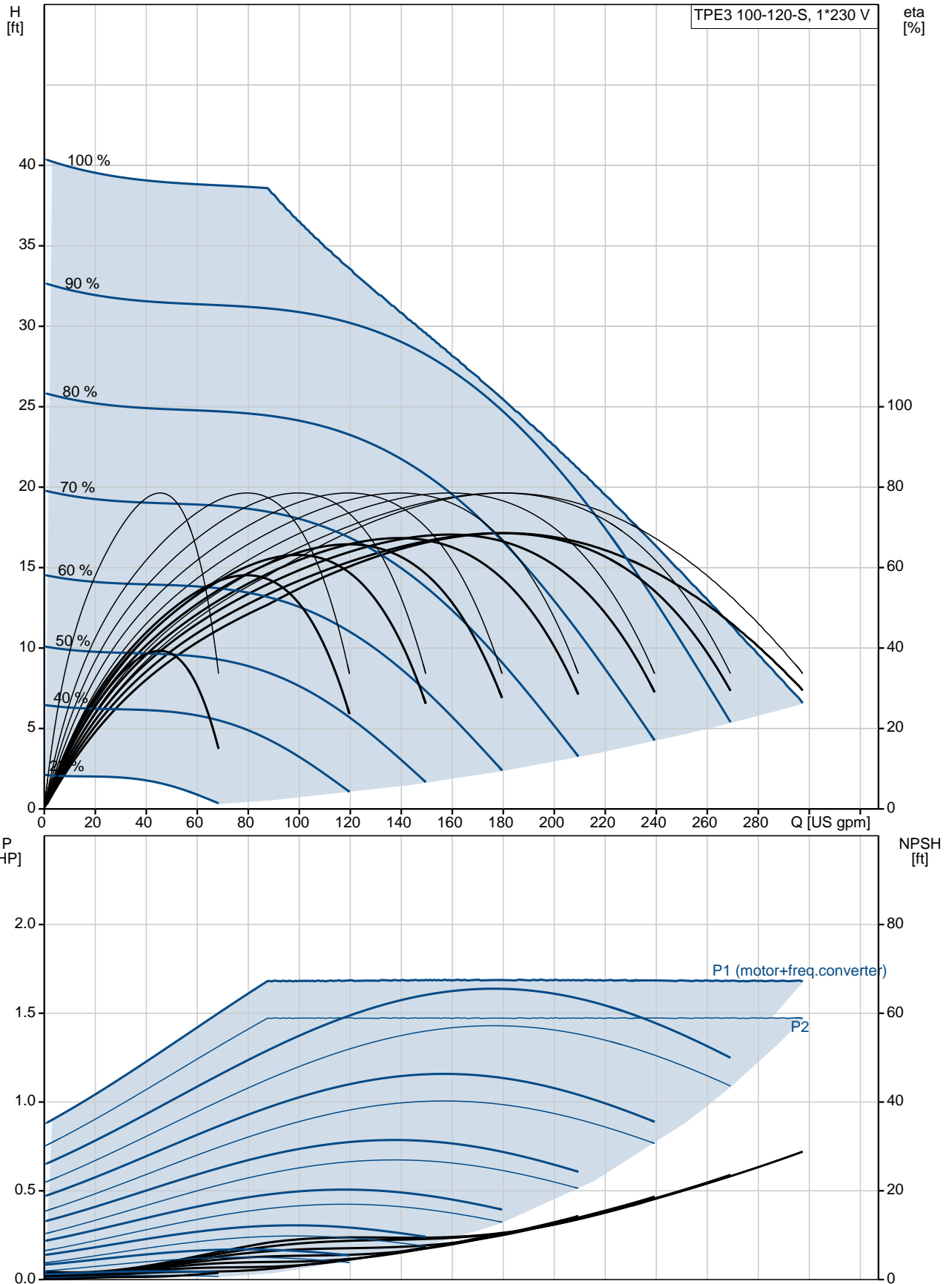
Phone:

Date:

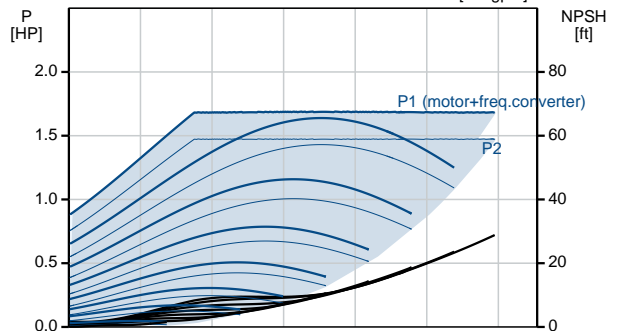
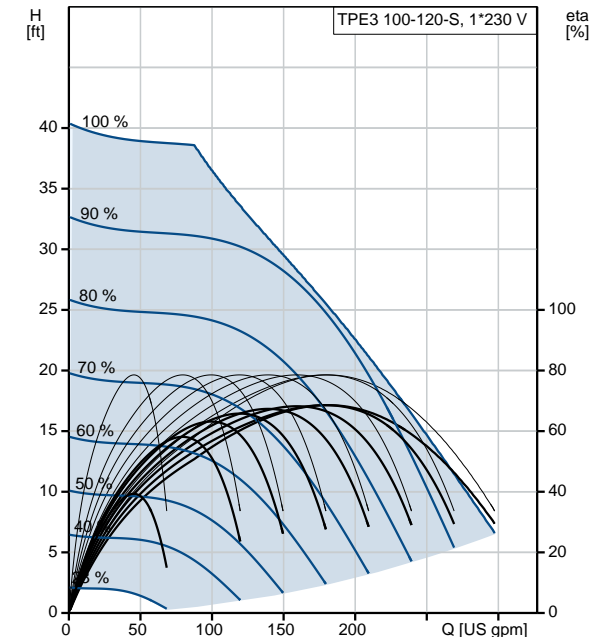
1/10/2019

Count	Description
	IE Efficiency class: IE5
	Rated power - P2: 1.5 HP
	Main frequency: 60 Hz
	Rated voltage: 1 x 200-240 V
	Rated current: 6.70-5.60 A
	Cos phi - power factor: 0.99
	Rated speed: 360-4000 rpm
	IE efficiency: 86.9%
	Motor efficiency at full load: 86.9 %
	Enclosure class (IEC 34-5): IP55
	Insulation class (IEC 85): F
	<b>Others:</b>
	Minimum efficiency index, MEI : 0.7
	ErP status: EuP Standalone/Prod.
	Net weight: 82.9 lb
	Gross weight: 103 lb
	Shipping volume: 5660 ft <sup>3</sup>
	Danish VVS No.: 381605120
	Country of origin: HU
	Custom tariff no.: 84137051

## 99272200 TPE3 100-120-S A-F-A-BQQE 60 Hz



Description	Value
<b>General information:</b>	
Product name:	TPE3 100-120-S A-F-A-BQQE
Product No.:	99272200
EAN:	5713826359911
<b>Technical:</b>	
Pump speed on which pump data is based:	3000 rpm
Rated flow:	184 US gpm
Rated head:	23.95 ft
Head max:	39.37 ft
Actual impeller diameter:	3.54 in
Primary shaft seal:	BQQE
Curve tolerance:	ISO9906:2012 3B
Pump version:	A
Model:	A
<b>Materials:</b>	
Pump housing:	Cast iron
	EN-JL1040
	ASTM A48-40 B
Impeller:	Composite PES/PP 30% GF
Material code:	A
<b>Installation:</b>	
Range of ambient temperature:	-4 .. 122 °F
Maximum operating pressure:	145 psi
Flange standard:	DIN
Pipe connection:	DN 100
Pressure stage:	PN 10
Port-to-port length:	17 3/4 in
Flange size for motor:	56C
Connect code:	F
<b>Liquid:</b>	
Pumped liquid:	Water
Liquid temperature range:	-13 .. 248 °F
Liquid temperature during operation:	68 °F
Density:	62.29 lb/ft <sup>3</sup>
<b>Electrical data:</b>	
Motor type:	80B
IE Efficiency class:	IE5
Rated power - P2:	1.5 HP
Main frequency:	60 Hz
Rated voltage:	1 x 200-240 V
Rated current:	6.70-5.60 A
Cos phi - power factor:	0.99
Rated speed:	360-4000 rpm
IE efficiency:	86.9%
Motor efficiency at full load:	86.9 %
Enclosure class (IEC 34-5):	IP55
Insulation class (IEC 85):	F
Motor protection:	YES
Motor Number:	99137987
<b>Controls:</b>	
Control panel:	HMI300 - Graphical
Function Module:	FM300 - Advanced
Frequency converter:	Built-in
<b>Others:</b>	
Minimum efficiency index, MEI :	0.7
ErP status:	EuP Standalone/Prod.
Net weight:	82.9 lb





Company name:

Created by:

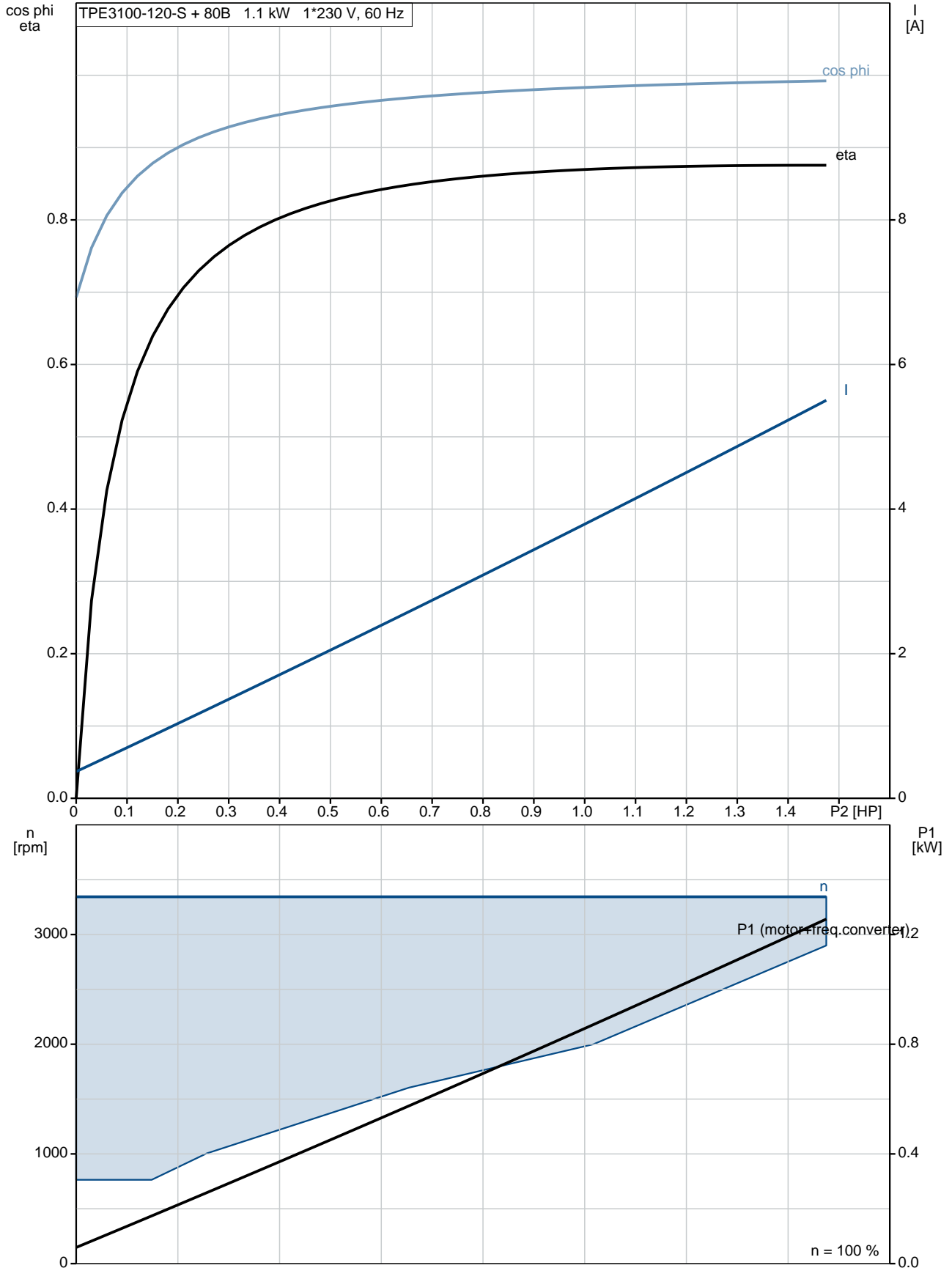
Phone:

Date:

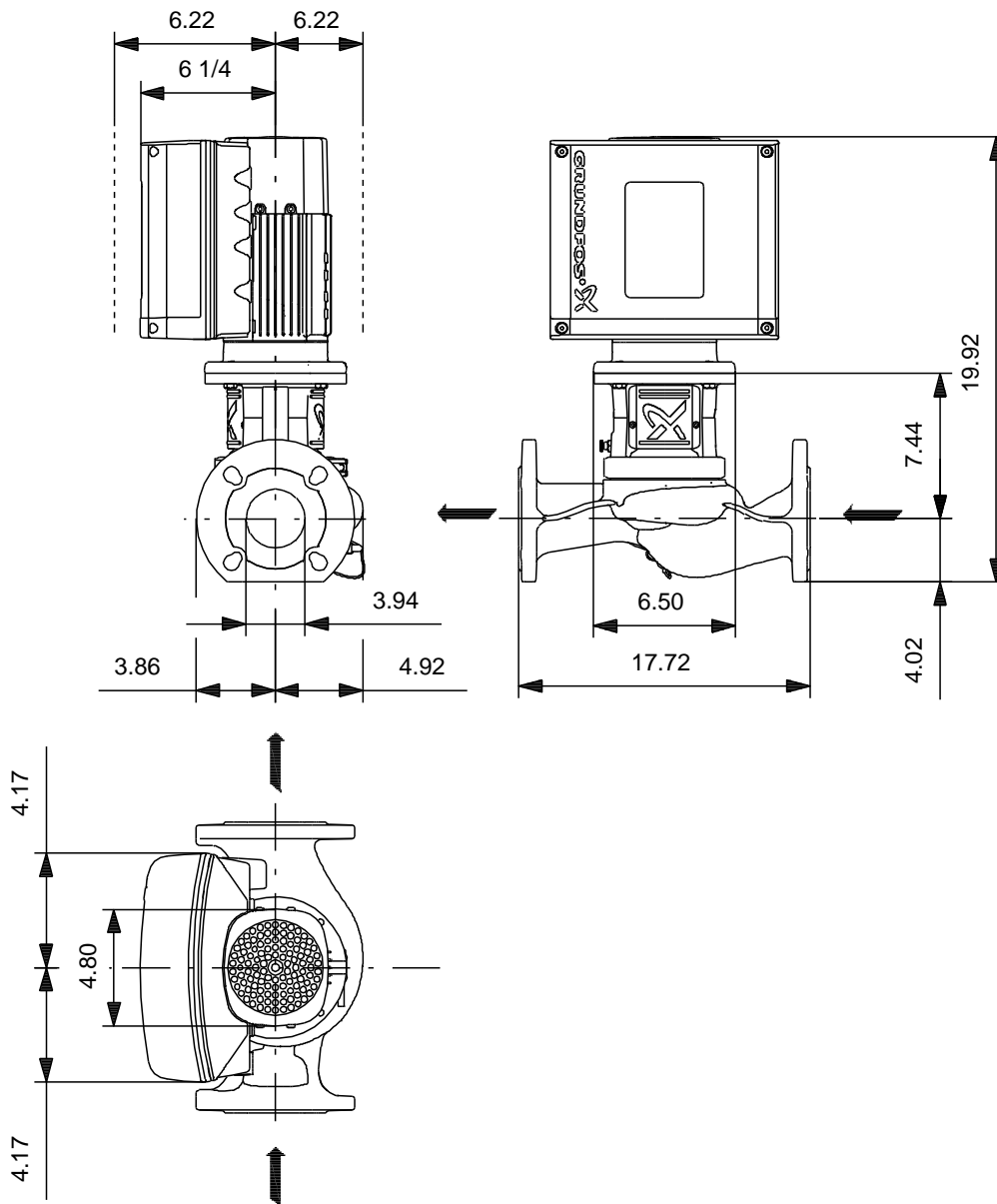
1/10/2019

Description	Value
Gross weight:	103 lb
Shipping volume:	5660 ft <sup>3</sup>
Config. file no:	98481411
Danish VVS No.:	381605120
Country of origin:	HU
Custom tariff no.:	84137051

## 99272200 TPE3 100-120-S A-F-A-BQQE 60 Hz

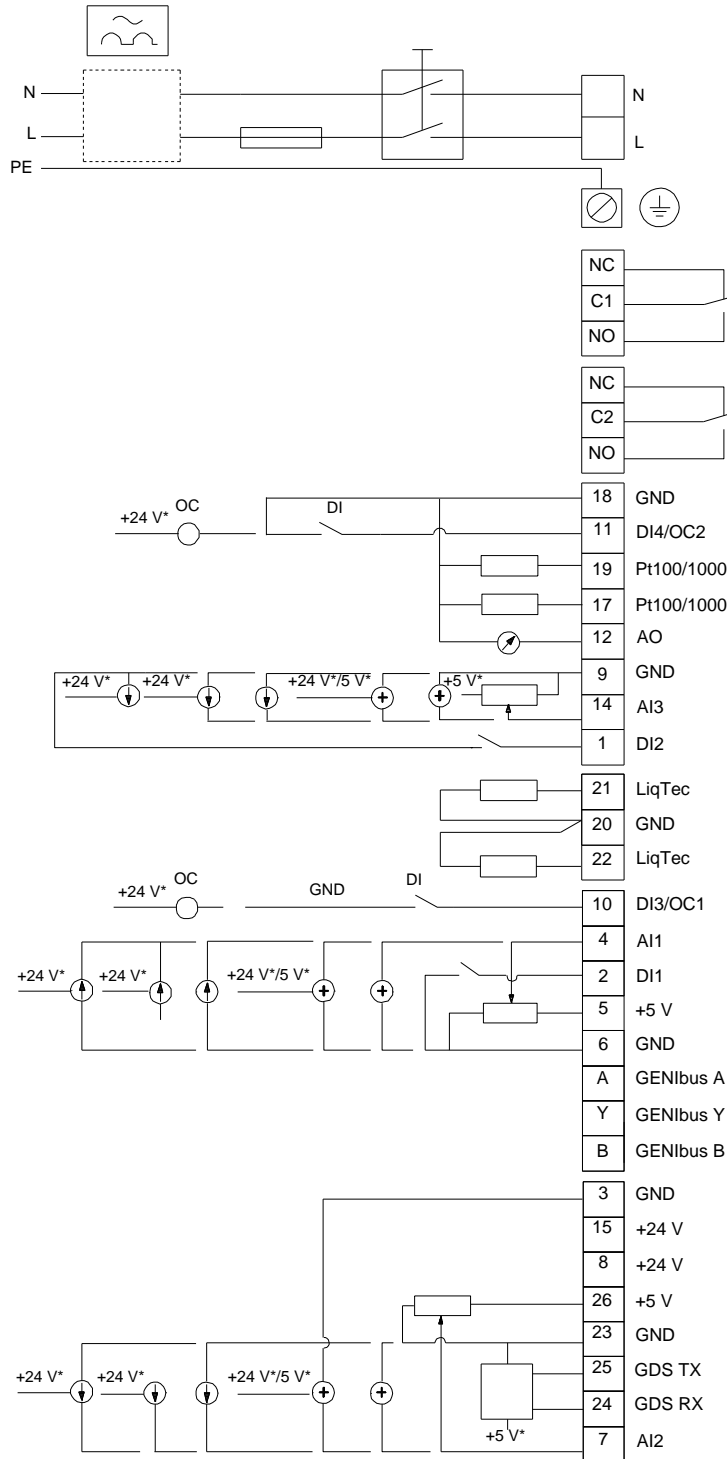


**99272200 TPE3 100-120-S A-F-A-BQQE 60 Hz**



Note! All units are in [mm] unless otherwise stated.  
Disclaimer: This simplified dimensional drawing does not show all details.

## 99272200 TPE3 100-120-S A-F-A-BQQE 60 Hz



All units are [mm] unless otherwise presented.