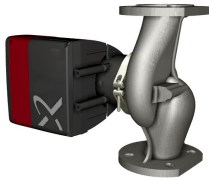


**Qty. Description**

1 **MAGNA1 65-60 F N**



Product No.: [99221395](#)

The new MAGNA1 is the simple option for a job well done. It is the perfect choice when replacing older circulators and due to its compliance with the EuP 2015 regulations, substantial savings on electricity is a reality. The ideal choice for basic performance needs in applications where basic system control and monitoring is desired.

- Monitoring via the fault relay, ensuring peace of mind
- Digital start/stop input available for remote pump control
- Continuous operation and reduced downtime with the wireless twin pump function (available on twin-head pumps)
- High energy efficiency resulting in substantial savings on electricity
- Easy setup and operation via the simple user interface
- No maintenance due to the canned-rotor type design.

MAGNA1 is the simple and efficient choice for most applications including

- Heating
  - Main pump
  - Mixing loops
  - Heating surfaces
- Cooling
  - Air conditioning surfaces
  - Ground source heat pump systems
  - Smaller chiller applications

**Liquid:**

Pumped liquid: Water  
 Liquid temperature range: -10 .. 110 °C  
 Liquid temperature during operation: 60 °C  
 Density: 983.2 kg/m<sup>3</sup>

**Technical:**

TF class: 110  
 Approvals on nameplate: CE,VDE,EAC,CN ROHS,WEEE

**Materials:**

Pump housing: Stainless steel  
 EN 1.4308  
 ASTM 351 CF8  
 Impeller: PES 30%GF

**Installation:**

Range of ambient temperature: 0 .. 40 °C  
 Maximum operating pressure: 10 bar  
 Flange standard: DIN  
 Pipe connection: DN 65  
 Pressure rating: PN6/10  
 Port-to-port length: 340 mm

Qty.	Description
------	-------------

**Electrical data:**

Power input - P1: 23.15 .. 365 W

Mains frequency: 50 Hz

Rated voltage: 1 x 230 V

Maximum current consumption: 0.24 .. 1.64 A

Enclosure class (IEC 34-5): X4D

Insulation class (IEC 85): F

**Others:**

Energy (EEI): 0.20

Net weight: 21.8 kg

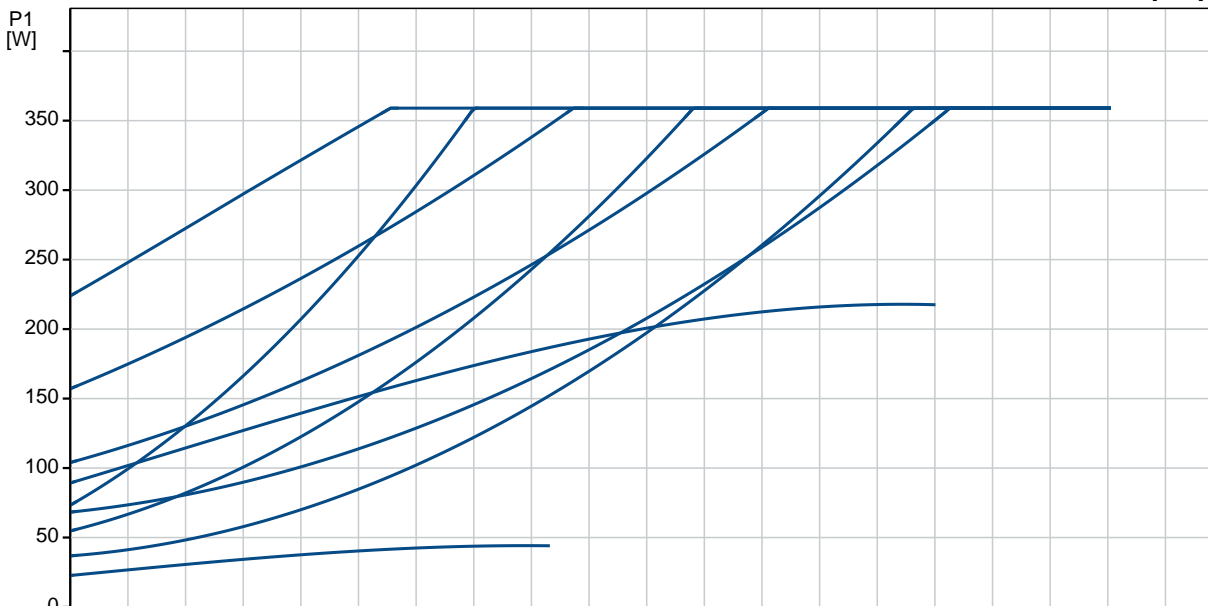
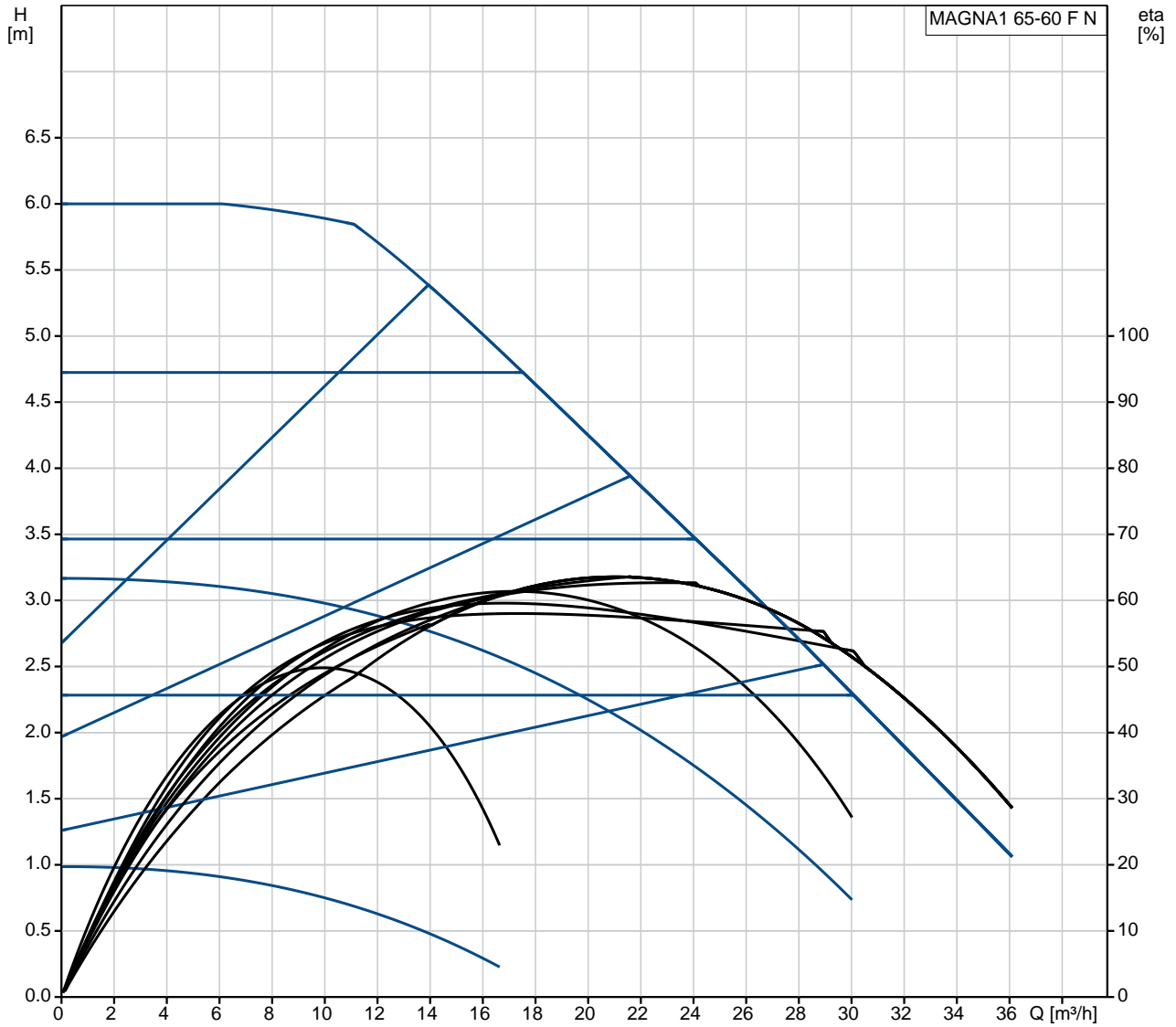
Gross weight: 23.7 kg

Shipping volume: 0.057 m<sup>3</sup>

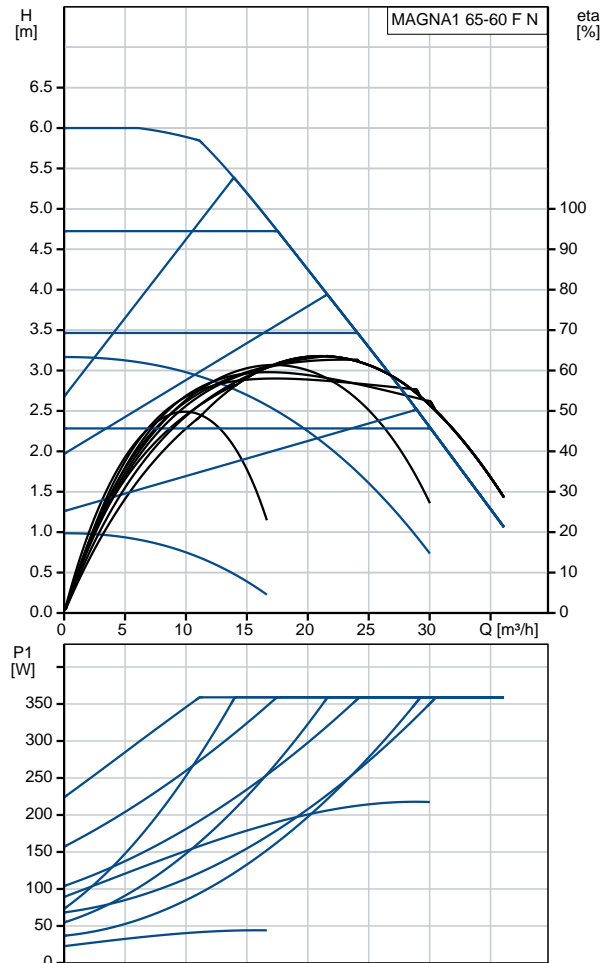
Country of origin: DE

Custom tariff no.: 84137030

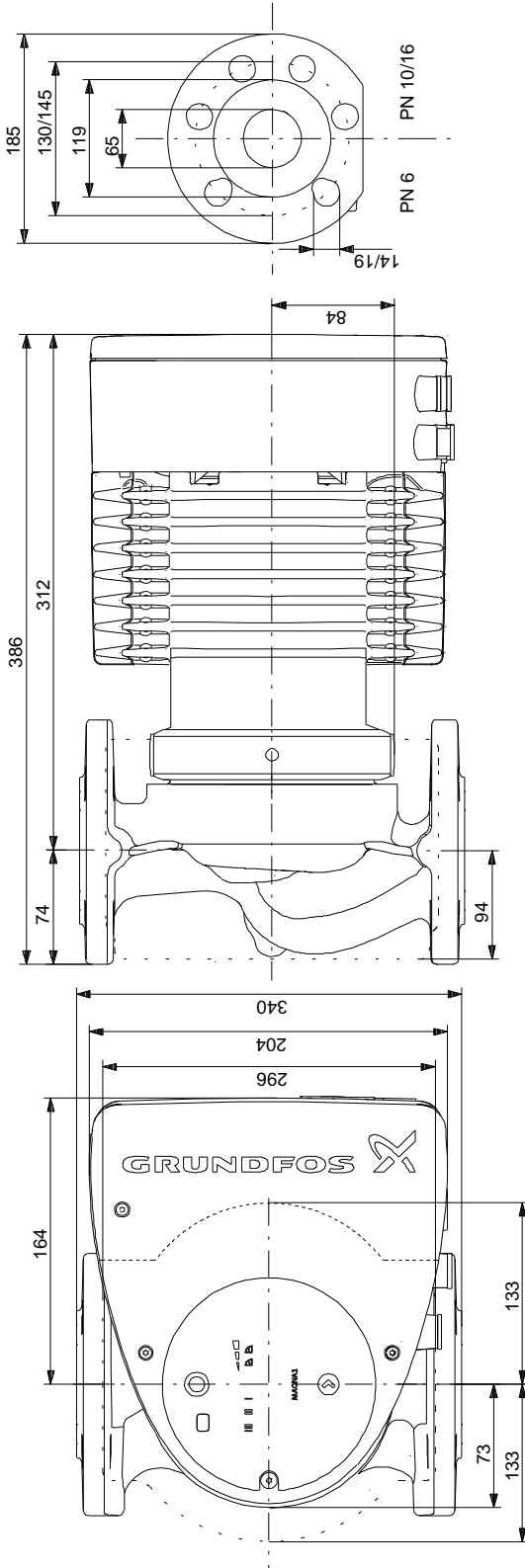
## 99221395 MAGNA1 65-60 F N 50 Hz



Description	Value
<b>General information:</b>	
Product name:	MAGNA1 65-60 F N
Product No:	99221395
EAN number:	5712608943676
Price:	2.496,00 GBP
<b>Technical:</b>	
Head max:	60 dm
TF class:	110
Approvals on nameplate:	CE,VDE,EAC,CN ROHS,WEEE
Model:	C
<b>Materials:</b>	
Pump housing:	Stainless steel EN 1.4308 ASTM 351 CF8
Impeller:	PES 30%GF
<b>Installation:</b>	
Range of ambient temperature:	0 .. 40 °C
Maximum operating pressure:	10 bar
Flange standard:	DIN
Pipe connection:	DN 65
Pressure rating:	PN6/10
Port-to-port length:	340 mm
<b>Liquid:</b>	
Pumped liquid:	Water
Liquid temperature range:	-10 .. 110 °C
Liquid temperature during operation:	60 °C
Density:	983.2 kg/m <sup>3</sup>
<b>Electrical data:</b>	
Power input - P1:	23.15 .. 365 W
Mains frequency:	50 Hz
Rated voltage:	1 x 230 V
Maximum current consumption:	0.24 .. 1.64 A
Enclosure class (IEC 34-5):	X4D
Insulation class (IEC 85):	F
<b>Others:</b>	
Energy (EEI):	0.20
Net weight:	21.8 kg
Gross weight:	23.7 kg
Shipping volume:	0.057 m <sup>3</sup>
Country of origin:	DE
Custom tariff no.:	84137030



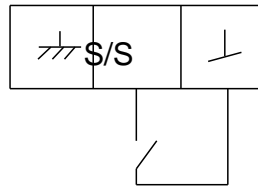
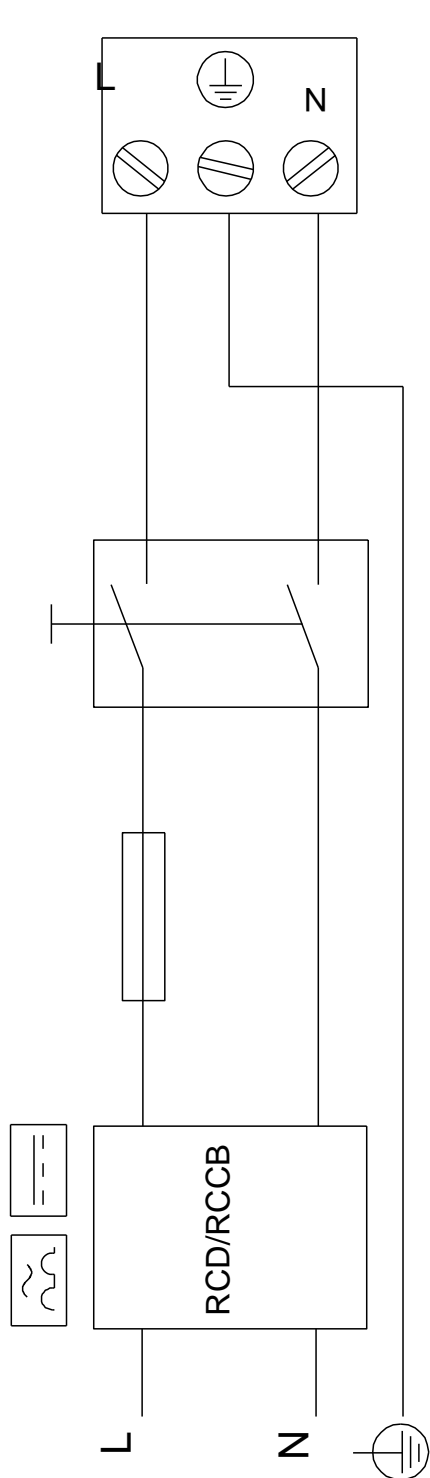
## 99221395 MAGNA1 65-60 F N 50 Hz



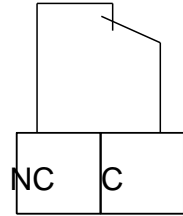
Note! All units are in [mm] unless others are stated.  
Disclaimer: This simplified dimensional drawing does not show all details.

## 99221395 MAGNA1 65-60 F N 50 Hz

Example of mains-connected motor with mains switch, backup fuse and additional protection



Digital inputs



Relay outputs

Note! All units are in [mm] unless others are stated.