

Qty. Description

1 **MAGNA1 D 32-60 F**



Note! Product picture may differ from actual product

Product No.: [99221273](#)

The new MAGNA1 is the simple option for a job well done. It is the perfect choice when replacing older circulators and due to its compliance with the EuP 2015 regulations, substantial savings on electricity is a reality. The ideal choice for basic performance needs in applications where basic system control and monitoring is desired.

- Monitoring via the fault relay, ensuring peace of mind
- Digital start/stop input available for remote pump control
- Continuous operation and reduced downtime with the wireless twin pump function (available on twin-head pumps)
- High energy efficiency resulting in substantial savings on electricity
- Easy setup and operation via the simple user interface
- No maintenance due to the canned-rotor type design.

MAGNA1 is the simple and efficient choice for most applications including

- Heating
 - Main pump
 - Mixing loops
 - Heating surfaces
- Cooling
 - Air conditioning surfaces
 - Ground source heat pump systems
 - Smaller chiller applications

Liquid:

Pumped liquid: Water
 Liquid temperature range: -10 .. 110 °C
 Liquid temperature during operation: 60 °C
 Density: 983.2 kg/m³

Technical:

TF class: 110
 Approvals on nameplate: CE,VDE,EAC,CN ROHS,WEEE

Materials:

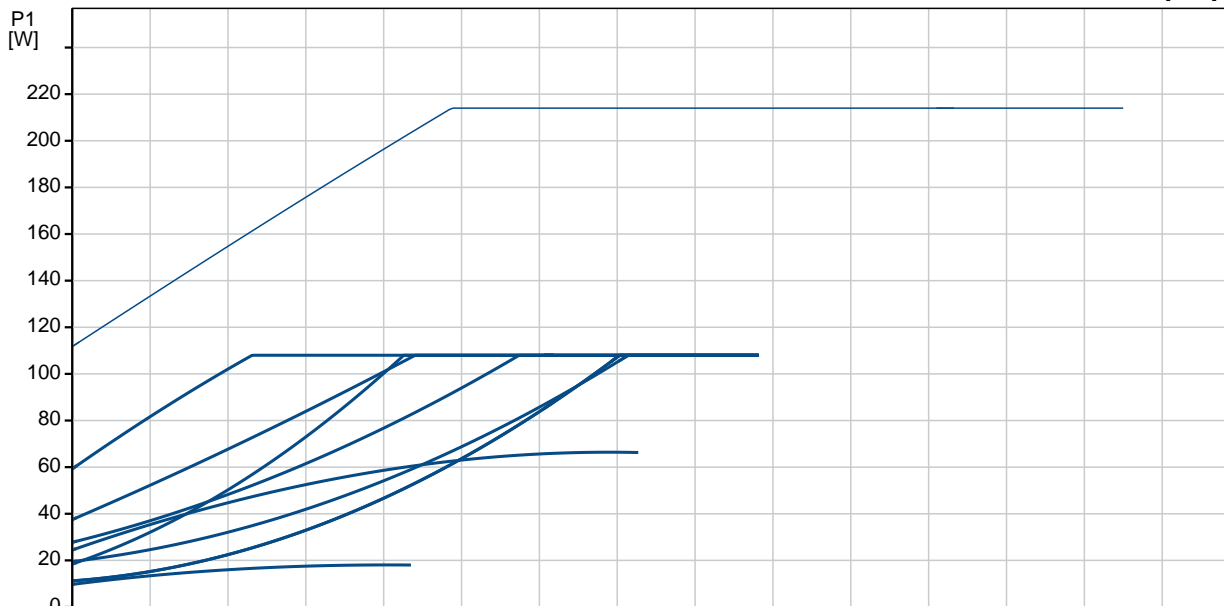
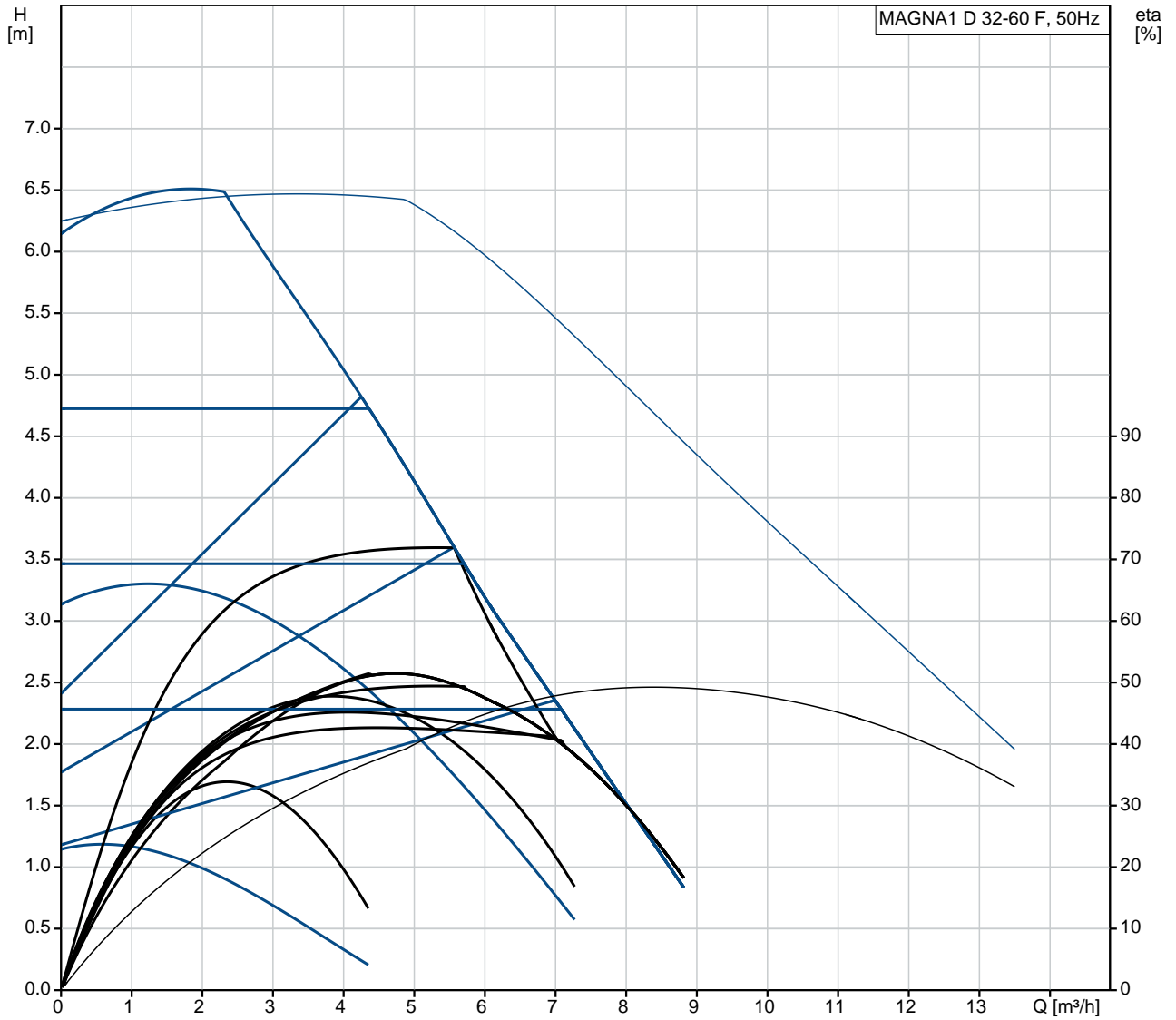
Pump housing: Cast iron
 EN-GJL-250
 ASTM A48-250B
 Impeller: PES 30%GF

Installation:

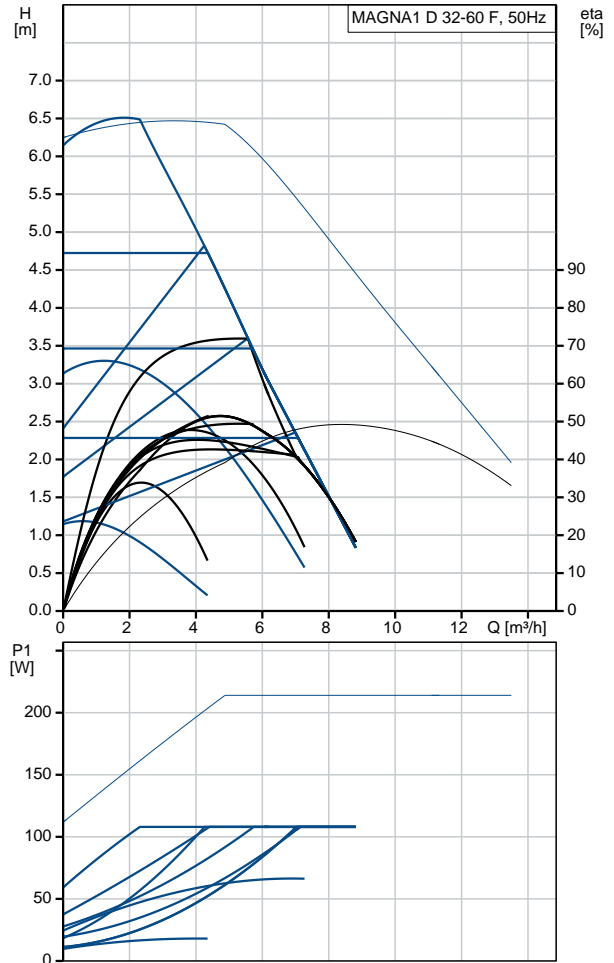
Range of ambient temperature: 0 .. 40 °C
 Maximum operating pressure: 10 bar
 Flange standard: DIN
 Pipe connection: DN 32
 Pressure rating: PN6/10
 Port-to-port length: 220 mm

| Qty. | Description |
|------|---|
| | <p>Electrical data:</p> <p>Power input - P1: 9 .. 111 W Mains frequency: 50 Hz Rated voltage: 1 x 230 V Maximum current consumption: 0.09 .. 0.9 A Enclosure class (IEC 34-5): X4D Insulation class (IEC 85): F</p> <p>Others:</p> <p>Energy (EEI): 0.23 Net weight: 15.5 kg Gross weight: 16.5 kg Shipping volume: 0.046 m³ Country of origin: DE Custom tariff no.: 84137030</p> |

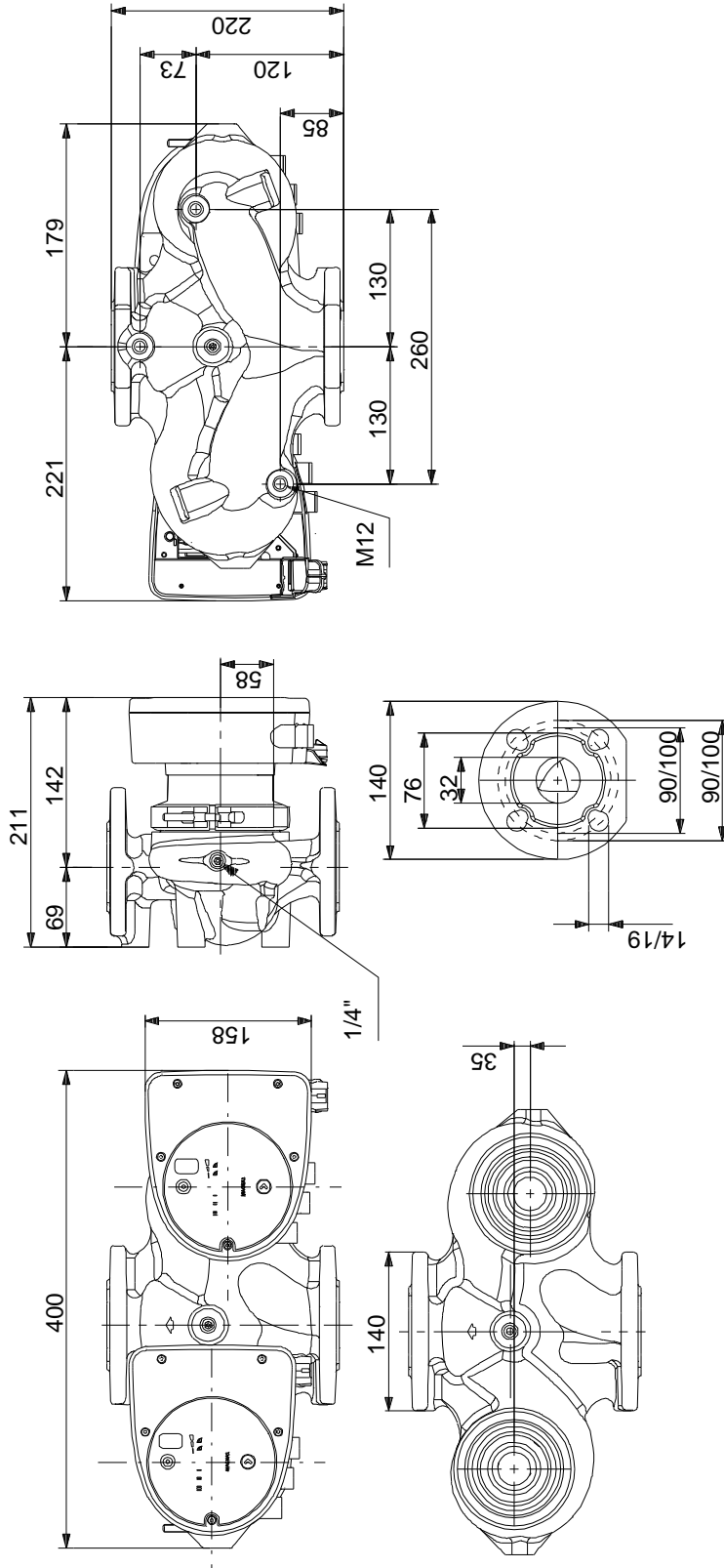
99221273 MAGNA1 D 32-60 F 50 Hz



| Description | Value |
|--------------------------------------|--|
| General information: | |
| Product name: | MAGNA1 D 32-60 F |
| Product No: | 99221273 |
| EAN number: | 5712608942464 |
| Price: | 1.278,00 GBP |
| Technical: | |
| Head max: | 60 dm |
| TF class: | 110 |
| Approvals on nameplate: | CE, VDE, EAC, CN ROHS, WEEE |
| Model: | C |
| Materials: | |
| Pump housing: | Cast iron EN-GJL-250 ASTM A48-250B |
| Impeller: | PES 30%GF |
| Installation: | |
| Range of ambient temperature: | 0 .. 40 °C |
| Maximum operating pressure: | 10 bar |
| Flange standard: | DIN |
| Pipe connection: | DN 32 |
| Pressure rating: | PN6/10 |
| Port-to-port length: | 220 mm |
| Liquid: | |
| Pumped liquid: | Water |
| Liquid temperature range: | -10 .. 110 °C |
| Liquid temperature during operation: | 60 °C |
| Density: | 983.2 kg/m ³ |
| Electrical data: | |
| Power input - P1: | 9 .. 111 W |
| Mains frequency: | 50 Hz |
| Rated voltage: | 1 x 230 V |
| Maximum current consumption: | 0.09 .. 0.9 A |
| Enclosure class (IEC 34-5): | X4D |
| Insulation class (IEC 85): | F |
| Others: | |
| Energy (EEI): | 0.23 |
| Net weight: | 15.5 kg |
| Gross weight: | 16.5 kg |
| Shipping volume: | 0.046 m ³ |
| Country of origin: | DE |
| Custom tariff no.: | 84137030 |

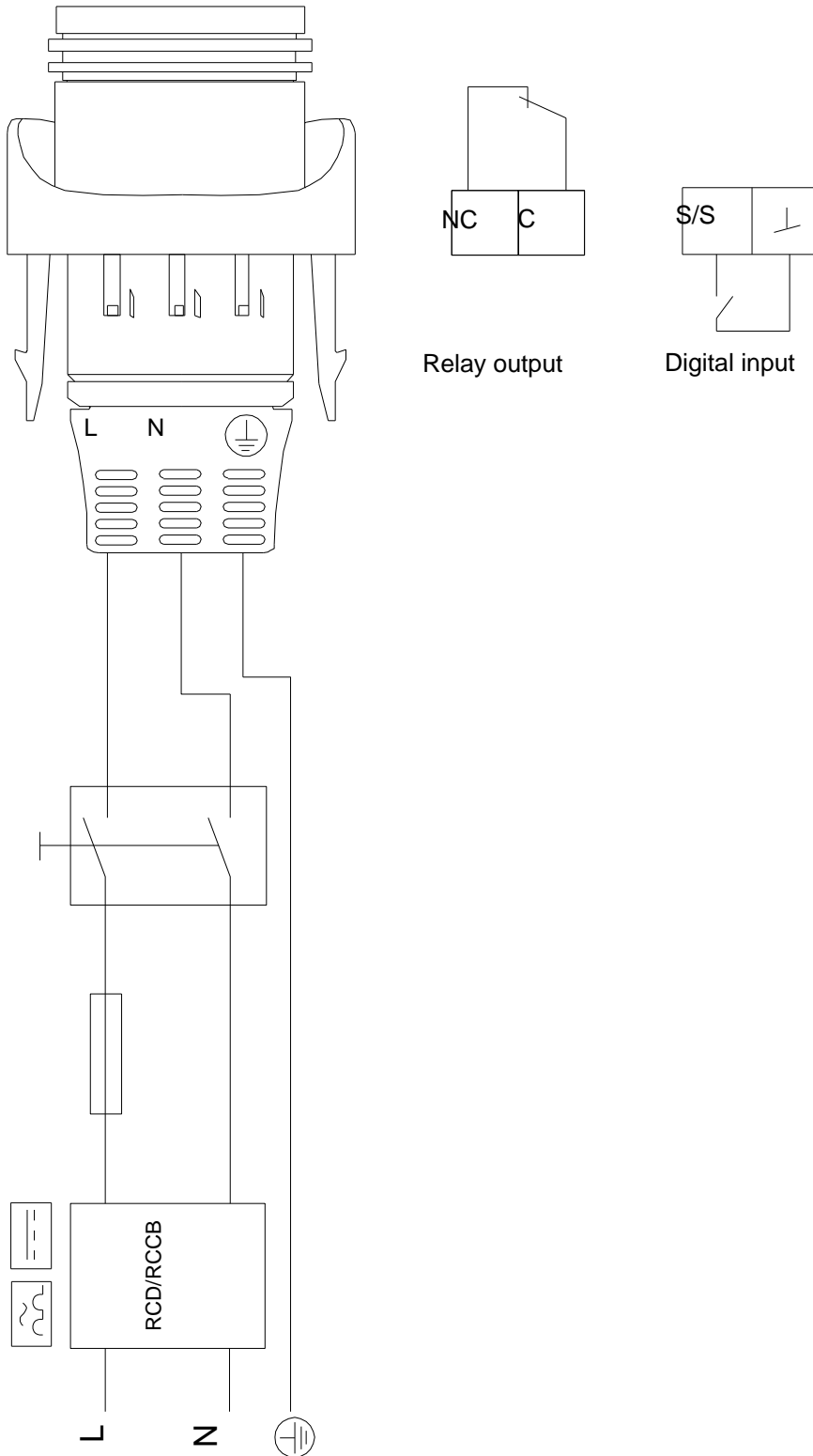


99221273 MAGNA1 D 32-60 F 50 Hz



Note! All units are in [mm] unless others are stated.
Disclaimer: This simplified dimensional drawing does not show all details.

99221273 MAGNA1 D 32-60 F 50 Hz



Note! All units are in [mm] unless others are stated.