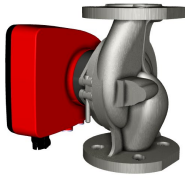


**Qty. Description**

1 **MAGNA1 32-60 F N**



Product No.: [99221271](#)

The new MAGNA1 is the simple option for a job well done. It is the perfect choice when replacing older circulators and due to its compliance with the EuP 2015 regulations, substantial savings on electricity is a reality. The ideal choice for basic performance needs in applications where basic system control and monitoring is desired.

- Monitoring via the fault relay, ensuring peace of mind
- Digital start/stop input available for remote pump control
- Continuous operation and reduced downtime with the wireless twin pump function (available on twin-head pumps)
- High energy efficiency resulting in substantial savings on electricity
- Easy setup and operation via the simple user interface
- No maintenance due to the canned-rotor type design.

MAGNA1 is the simple and efficient choice for most applications including

- Heating
  - Main pump
  - Mixing loops
  - Heating surfaces
- Cooling
  - Air conditioning surfaces
  - Ground source heat pump systems
  - Smaller chiller applications

**Liquid:**

Pumped liquid: Water  
 Liquid temperature range: -10 .. 110 °C  
 Liquid temperature during operation: 60 °C  
 Density: 983.2 kg/m<sup>3</sup>

**Technical:**

TF class: 110  
 Approvals on nameplate: CE,VDE,EAC,CN ROHS,WEEE

**Materials:**

Pump housing: Stainless steel  
 EN 1.4308  
 ASTM 351 CF8  
 Impeller: PES 30%GF

**Installation:**

Range of ambient temperature: 0 .. 40 °C  
 Maximum operating pressure: 10 bar  
 Flange standard: DIN  
 Pipe connection: DN 32  
 Pressure rating: PN6/10  
 Port-to-port length: 220 mm



Company name:

Created by:

Phone:

Date:

19/12/2018

| Qty. | Description |
|------|-------------|
|------|-------------|

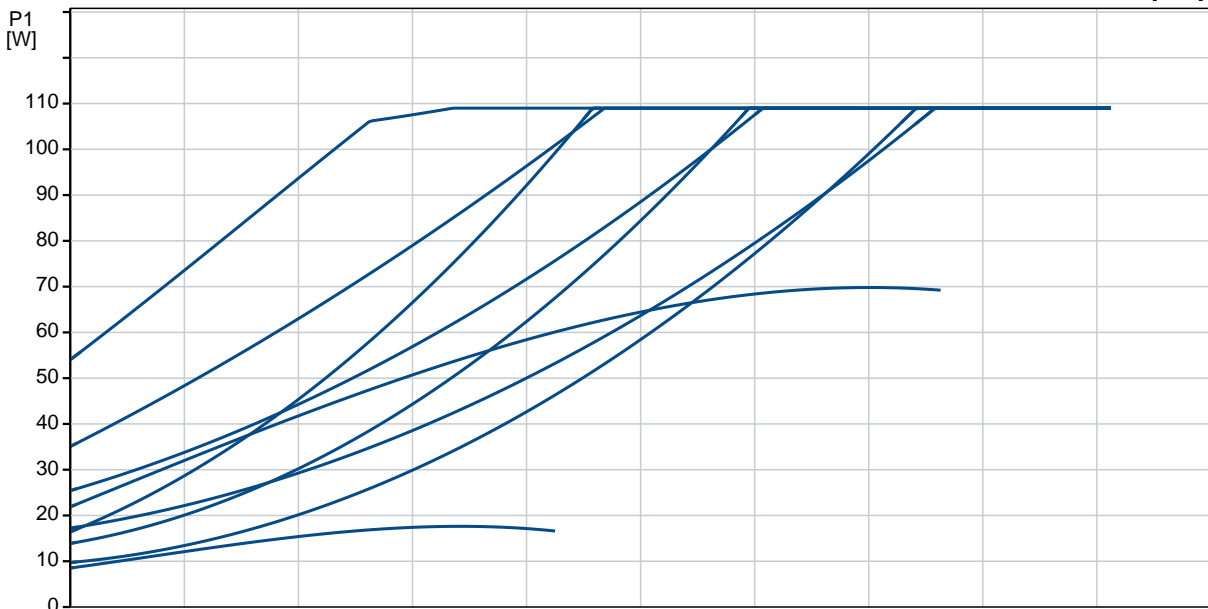
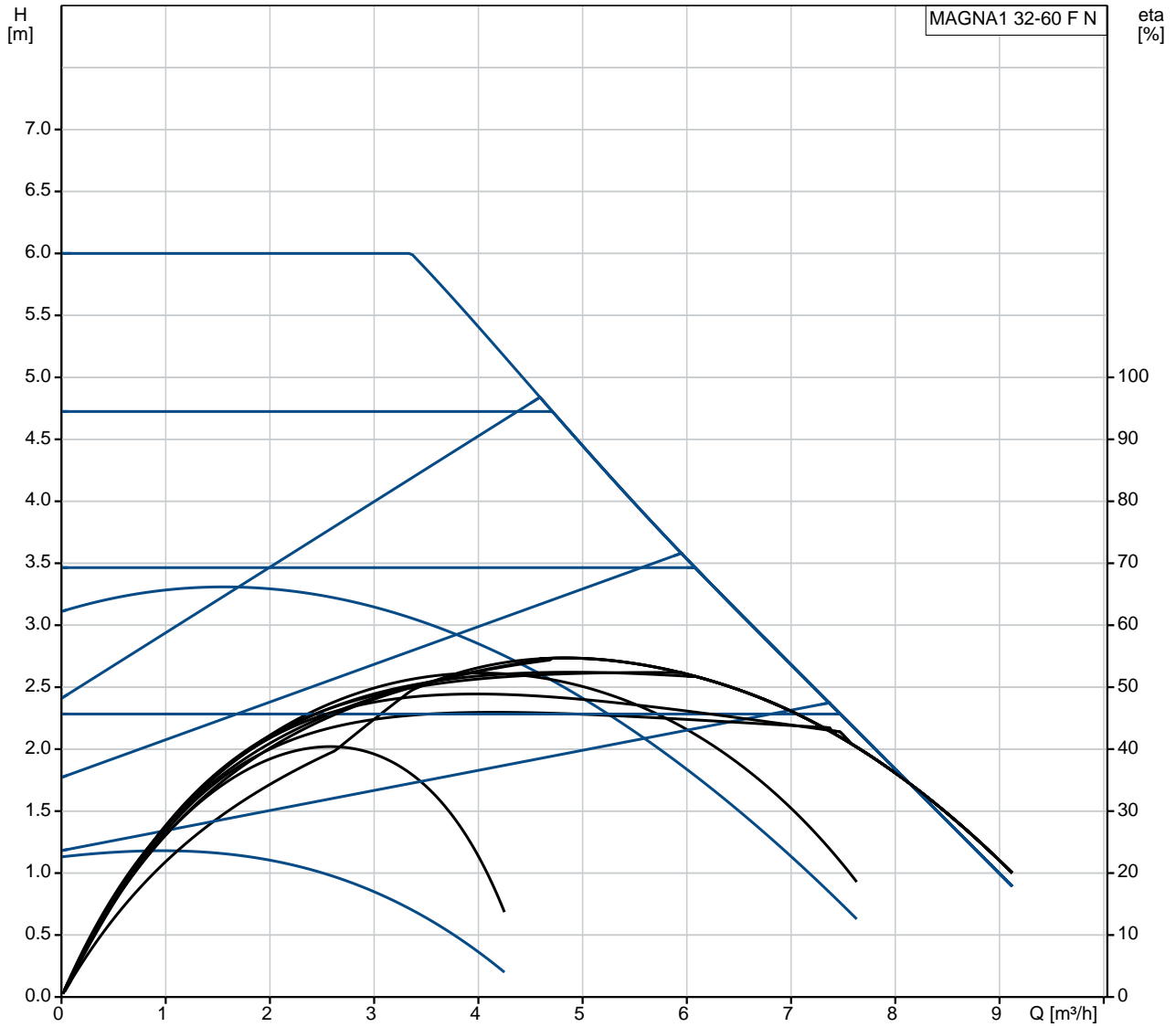
**Electrical data:**

|                              |               |
|------------------------------|---------------|
| Power input - P1:            | 9 .. 111 W    |
| Mains frequency:             | 50 Hz         |
| Rated voltage:               | 1 x 230 V     |
| Maximum current consumption: | 0.09 .. 0.9 A |
| Enclosure class (IEC 34-5):  | X4D           |
| Insulation class (IEC 85):   | F             |

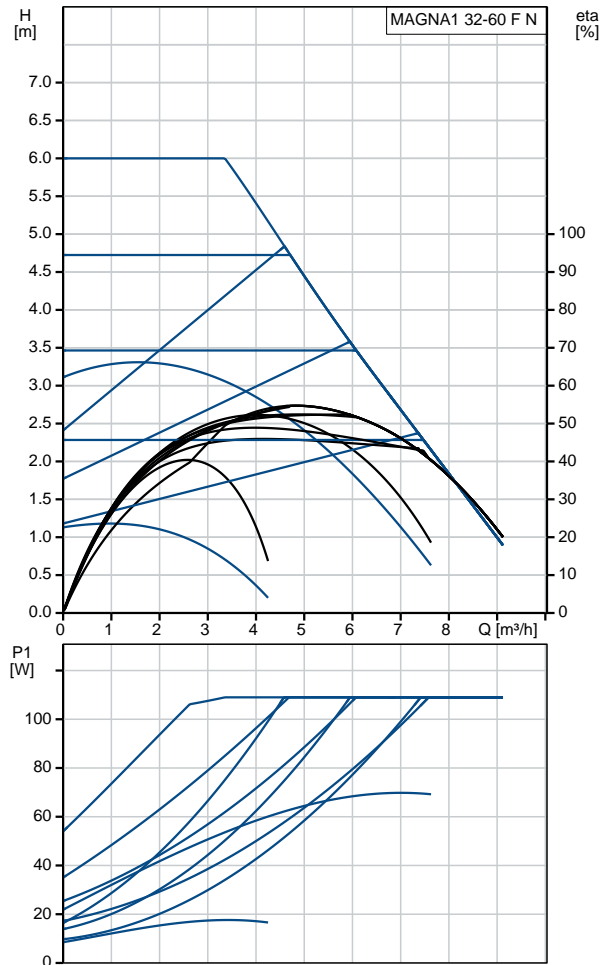
**Others:**

|                    |                      |
|--------------------|----------------------|
| Energy (EEI):      | 0.20                 |
| Net weight:        | 7.36 kg              |
| Gross weight:      | 7.84 kg              |
| Shipping volume:   | 0.016 m <sup>3</sup> |
| Country of origin: | DE                   |
| Custom tariff no.: | 84137030             |

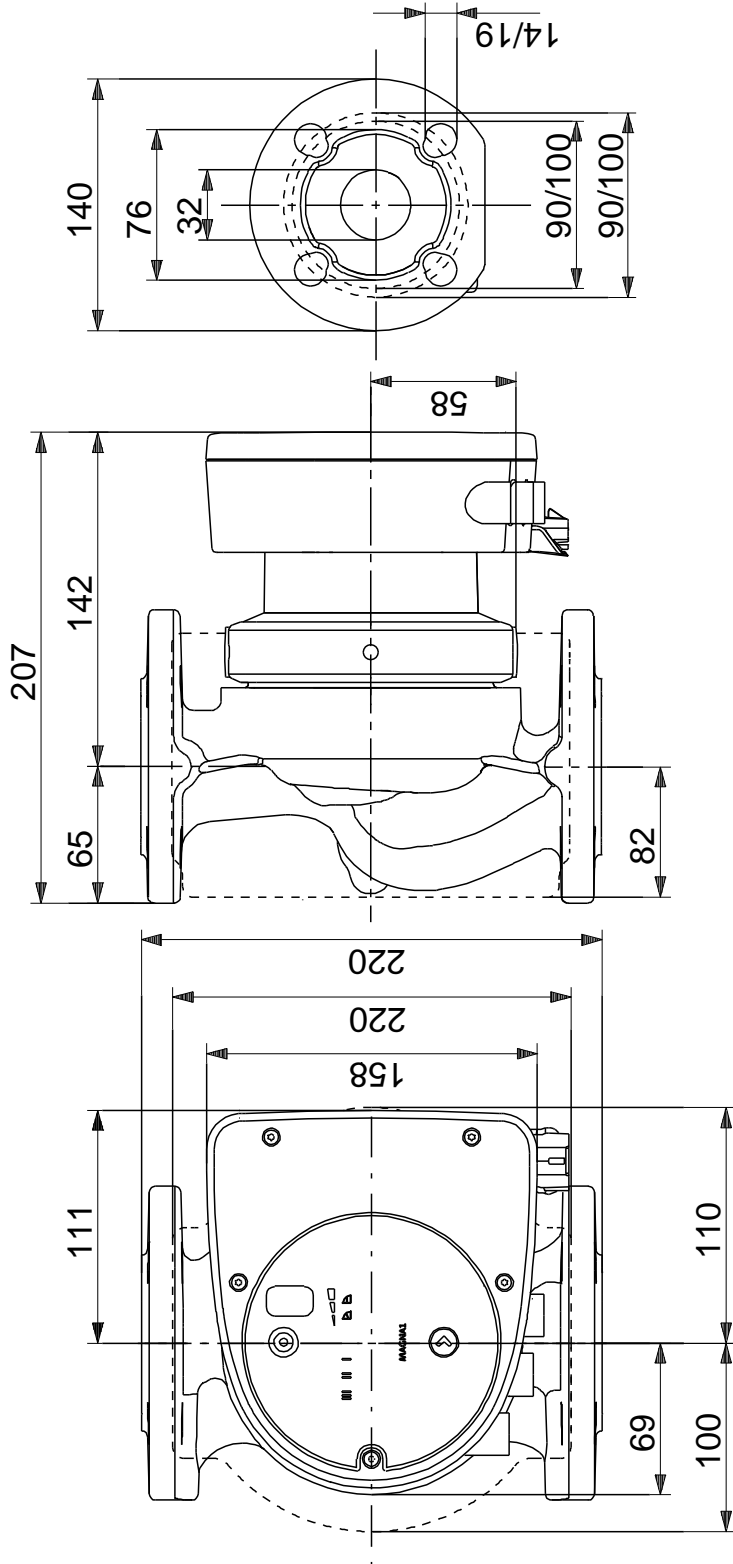
## 99221271 MAGNA1 32-60 F N 50 Hz



| Description                          | Value  |
|--------------------------------------|--|
| <b>General information:</b>          |  |
| Product name:                        | MAGNA1 32-60 F N                             |
| Product No:                          | 99221271                                     |
| EAN number:                          | 5712608942440                                |
| Price:                               | 1.028,00 GBP                                 |
| <b>Technical:</b>                    |  |
| Head max:                            | 60 dm  |
| TF class:                            | 110  |
| Approvals on nameplate:              | CE, VDE, EAC, CN<br>ROHS, WEEE               |
| Model:                               | C  |
| <b>Materials:</b>                    |  |
| Pump housing:                        | Stainless steel<br>EN 1.4308<br>ASTM 351 CF8 |
| Impeller:                            | PES 30%GF                                    |
| <b>Installation:</b>                 |  |
| Range of ambient temperature:        | 0 .. 40 °C                                   |
| Maximum operating pressure:          | 10 bar                                       |
| Flange standard:                     | DIN  |
| Pipe connection:                     | DN 32  |
| Pressure rating:                     | PN6/10                                       |
| Port-to-port length:                 | 220 mm                                       |
| <b>Liquid:</b>                       |  |
| Pumped liquid:                       | Water  |
| Liquid temperature range:            | -10 .. 110 °C                                |
| Liquid temperature during operation: | 60 °C  |
| Density:                             | 983.2 kg/m <sup>3</sup>                      |
| <b>Electrical data:</b>              |  |
| Power input - P1:                    | 9 .. 111 W                                   |
| Mains frequency:                     | 50 Hz  |
| Rated voltage:                       | 1 x 230 V                                    |
| Maximum current consumption:         | 0.09 .. 0.9 A                                |
| Enclosure class (IEC 34-5):          | X4D  |
| Insulation class (IEC 85):           | F  |
| <b>Others:</b>                       |  |
| Energy (EEI):                        | 0.20   |
| Net weight:                          | 7.36 kg                                      |
| Gross weight:                        | 7.84 kg                                      |
| Shipping volume:                     | 0.016 m <sup>3</sup>                         |
| Country of origin:                   | DE   |
| Custom tariff no.:                   | 84137030                                     |

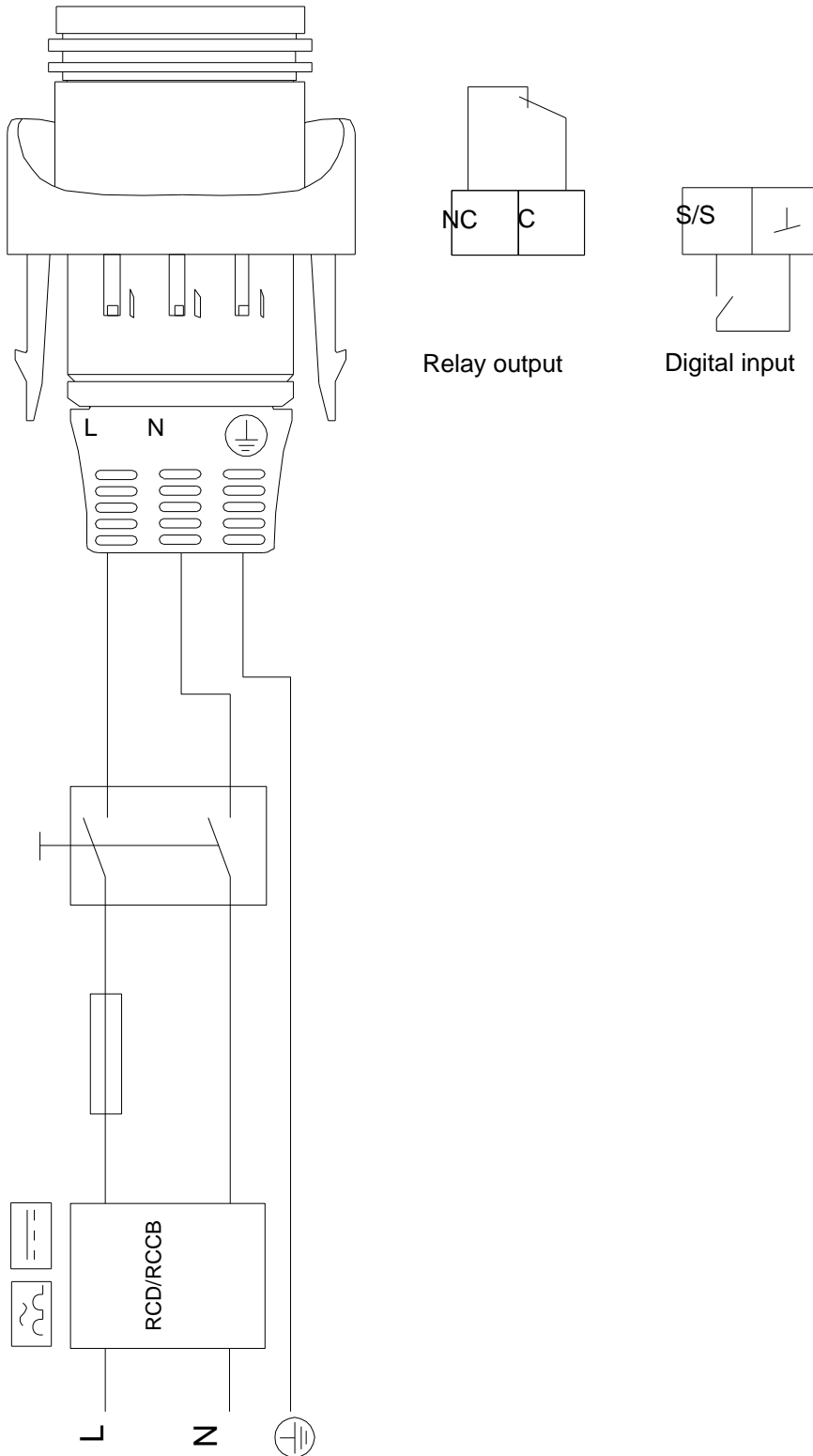


## 99221271 MAGNA1 32-60 F N 50 Hz



Note! All units are in [mm] unless others are stated.  
Disclaimer: This simplified dimensional drawing does not show all details.

## 99221271 MAGNA1 32-60 F N 50 Hz



Note! All units are in [mm] unless others are stated.