


| Position | Qty. | Description |
|----------|------|---|
| | 1 | <p>MAGNA1 32-80</p>  <p>Product No.: 99221235</p> <p>The new MAGNA1 is the simple option for a job well done. It is the perfect choice when replacing older circulators and due to its compliance with the EuP 2015 regulations, substantial savings on electricity is a reality. The ideal choice for basic performance needs in applications where basic system control and monitoring is desired.</p> <ul style="list-style-type: none"> • Monitoring via the fault relay, ensuring peace of mind • Digital start/stop input available for remote pump control • Continuous operation and reduced downtime with the wireless twin pump function (available on twin-head pumps) • High energy efficiency resulting in substantial savings on electricity • Easy setup and operation via the simple user interface • No maintenance due to the canned-rotor type design. <p>MAGNA1 is the simple and efficient choice for most applications including</p> <ul style="list-style-type: none"> • Heating <ul style="list-style-type: none"> - Main pump - Mixing loops - Heating surfaces • Cooling <ul style="list-style-type: none"> - Air conditioning surfaces - Ground source heat pump systems - Smaller chiller applications <p>Liquid: Pumped liquid: Water Liquid temperature range: -10 .. 110 °C Liquid temperature during operation: 60 °C Density: 983.2 kg/m³</p> <p>Technical: TF class: 110 Approvals on nameplate: CE,VDE,EAC,CN ROHS,WEEE</p> <p>Materials: Pump housing: Cast iron EN-GJL-200 ASTM A48-200B Impeller: PES 30%GF</p> <p>Installation: Range of ambient temperature: 0 .. 40 °C Maximum operating pressure: 10 bar Pipe connection: G 2" Pressure rating: PN10 (@): 180 mm</p> <p>Electrical data:</p> |



Company name:

Created by:

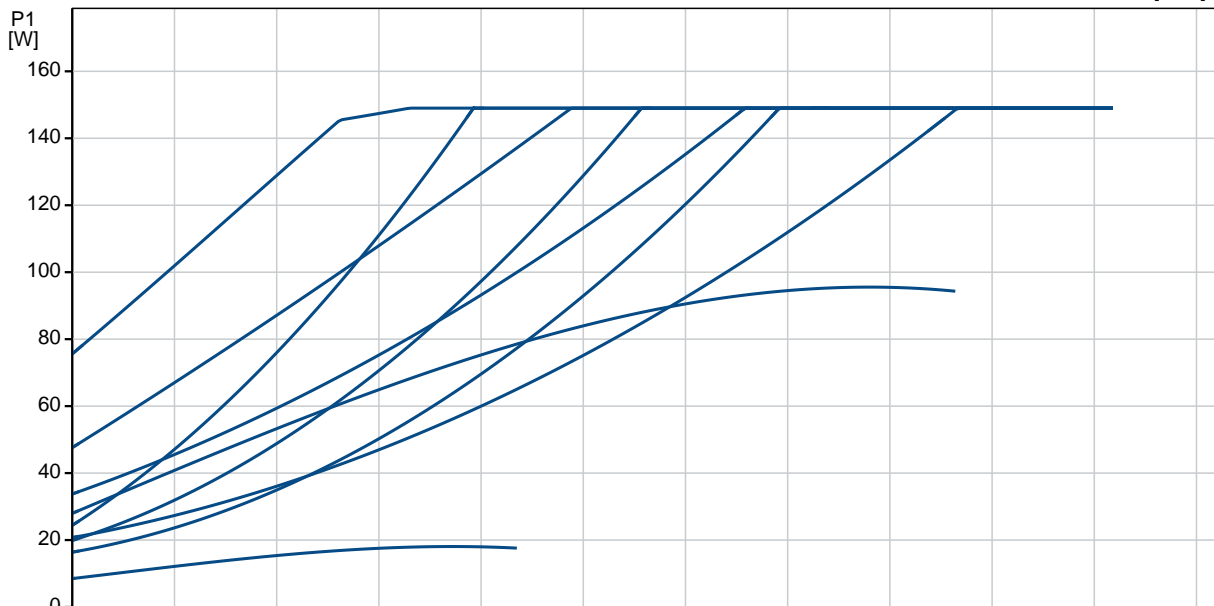
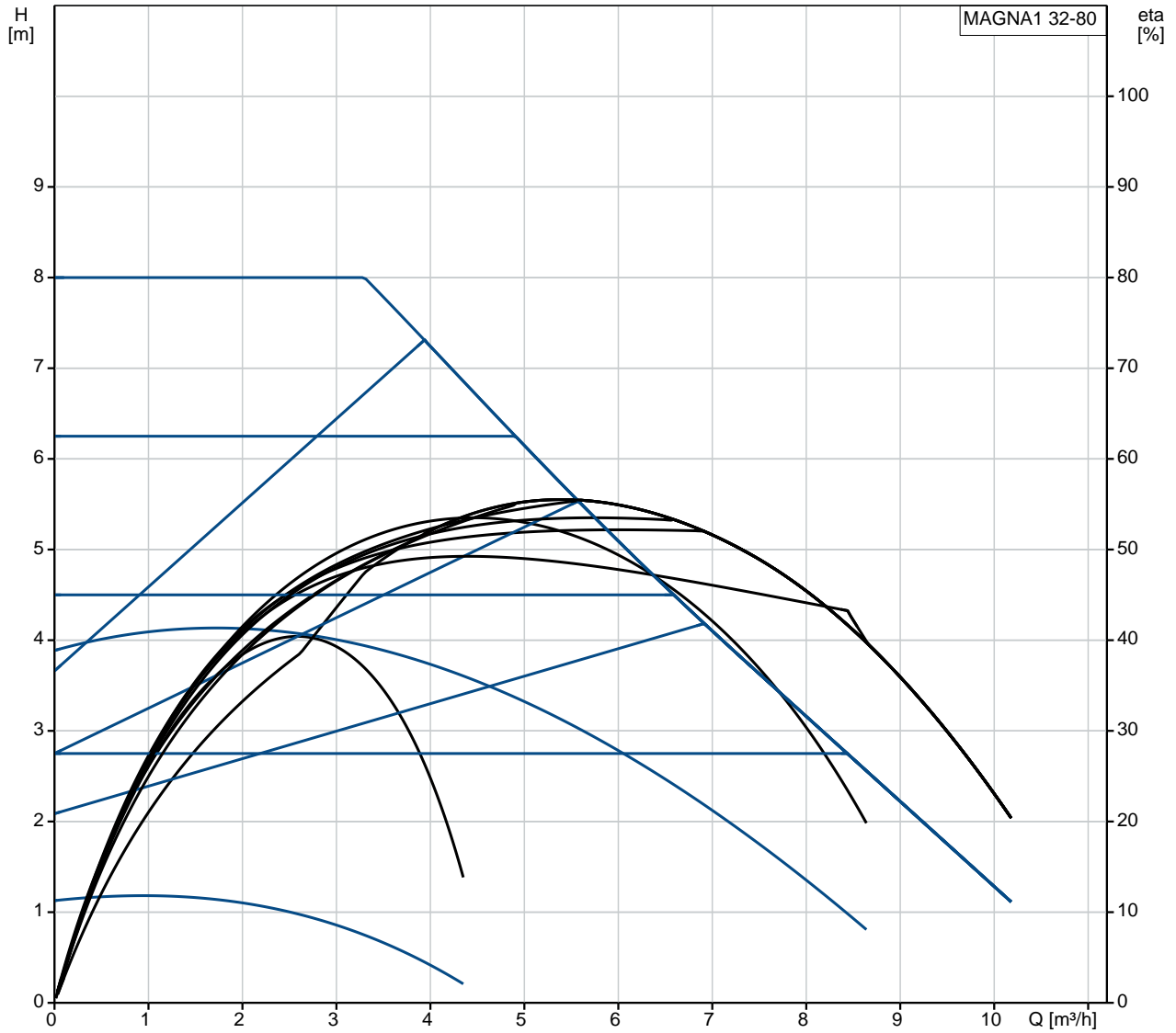
Phone:

Date:

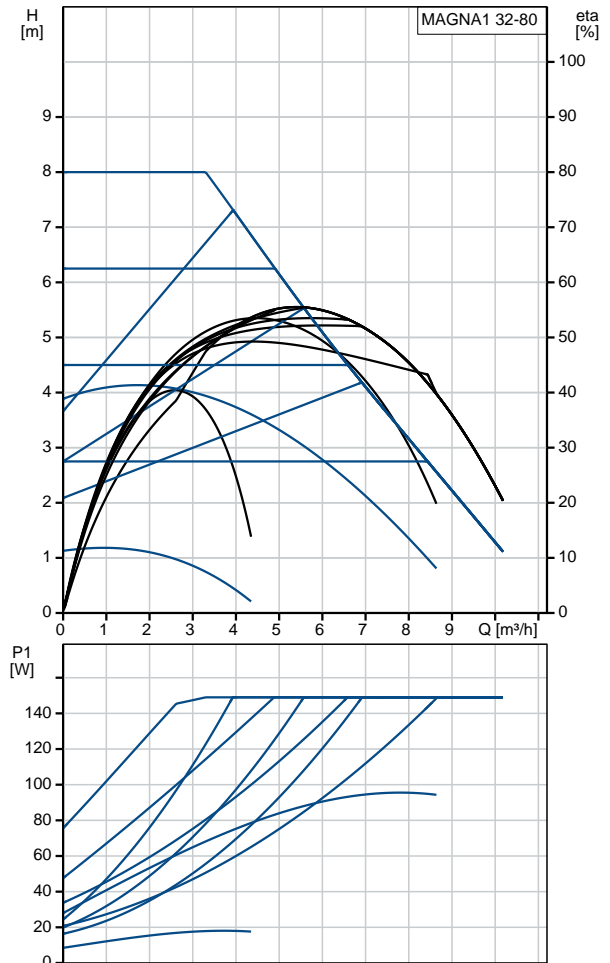
31/10/2018

| Position | Qty. | Description |
|----------|------|--|
| | | Power input - P1: 9 .. 151 W Mains frequency: 50 Hz Rated voltage: 1 x 230 V Maximum current consumption: 0.09 .. 1.22 A Enclosure class (IEC 34-5): X4D Insulation class (IEC 85): F Others: Energy (EEI): 0.20 Net weight: 4.38 kg Gross weight: 4.78 kg Shipping volume: 0.013 m ³ Finnish: LVI NO 4615306 |

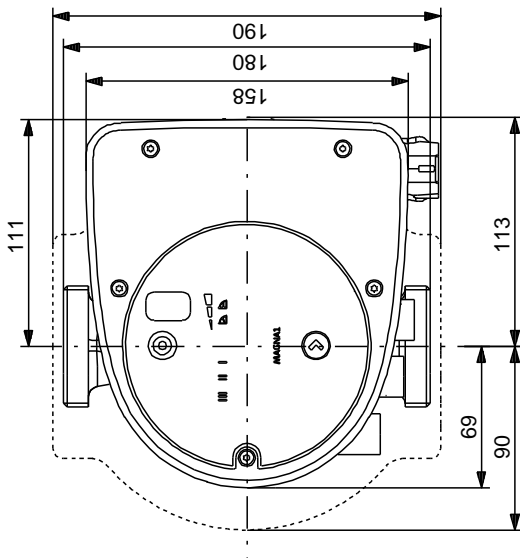
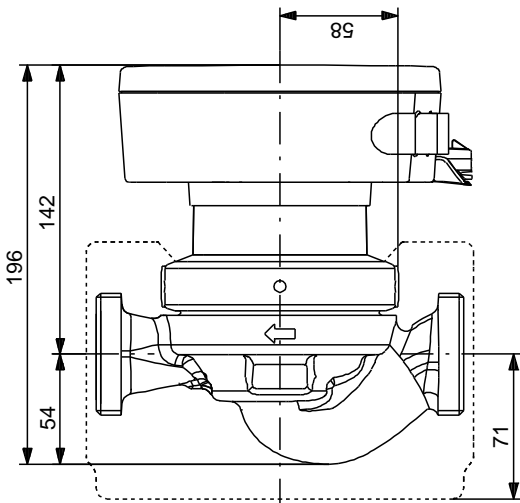
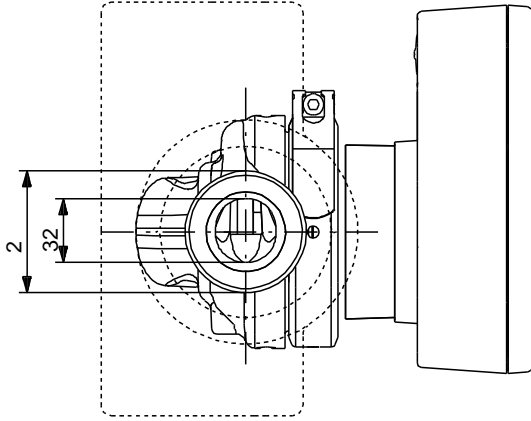
99221235 MAGNA1 32-80 50 Hz



| Description | Value |
|--------------------------------------|--|
| General information: | |
| Product name: | MAGNA1 32-80 |
| Product No: | 99221235 |
| EAN number: | 5712608942082 |
| Technical: | |
| Head max: | 80 dm |
| TF class: | 110 |
| Approvals on nameplate: | CE,VDE,EAC,CN ROHS,WEEE |
| Model: | C |
| Materials: | |
| Pump housing: | Cast iron EN-GJL-200 ASTM A48-200B |
| Impeller: | PES 30%GF |
| Installation: | |
| Range of ambient temperature: | 0 .. 40 °C |
| Maximum operating pressure: | 10 bar |
| Pipe connection: | G 2" |
| Pressure rating: | PN10 |
| (@) | 180 mm |
| Liquid: | |
| Pumped liquid: | Water |
| Liquid temperature range: | -10 .. 110 °C |
| Liquid temperature during operation: | 60 °C |
| Density: | 983.2 kg/m ³ |
| Electrical data: | |
| Power input - P1: | 9 .. 151 W |
| Mains frequency: | 50 Hz |
| Rated voltage: | 1 x 230 V |
| Maximum current consumption: | 0.09 .. 1.22 A |
| Enclosure class (IEC 34-5): | X4D |
| Insulation class (IEC 85): | F |
| Others: | |
| Energy (EEI): | 0.20 |
| Net weight: | 4.38 kg |
| Gross weight: | 4.78 kg |
| Shipping volume: | 0.013 m ³ |
| Finnish: | LVI NO 4615306 |

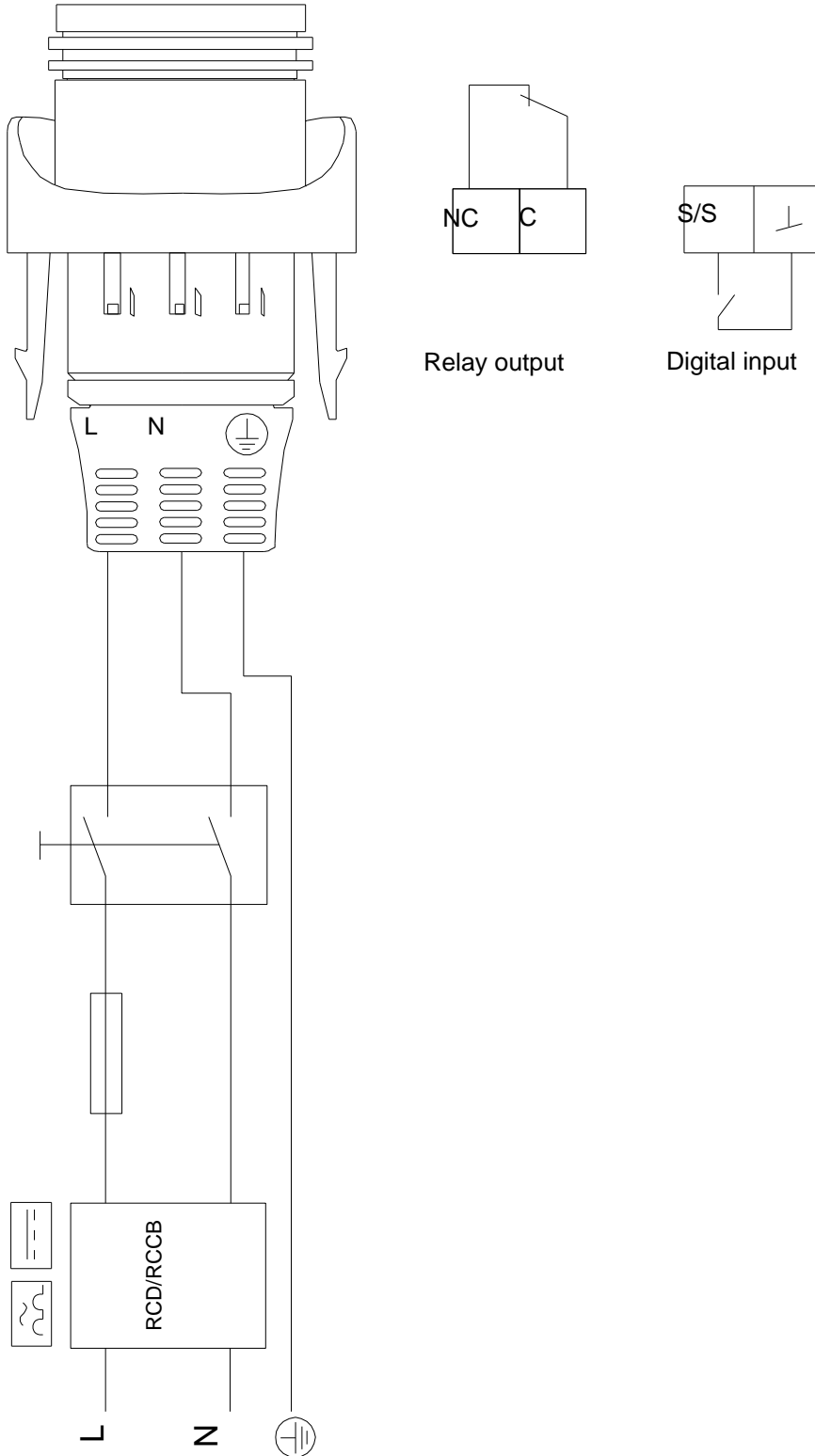


99221235 MAGNA1 32-80 50 Hz



Note! All units are in [mm] unless others are stated.
Disclaimer: This simplified dimensional drawing does not show all details.

99221235 MAGNA1 32-80 50 Hz



Note! All units are in [mm] unless others are stated.