
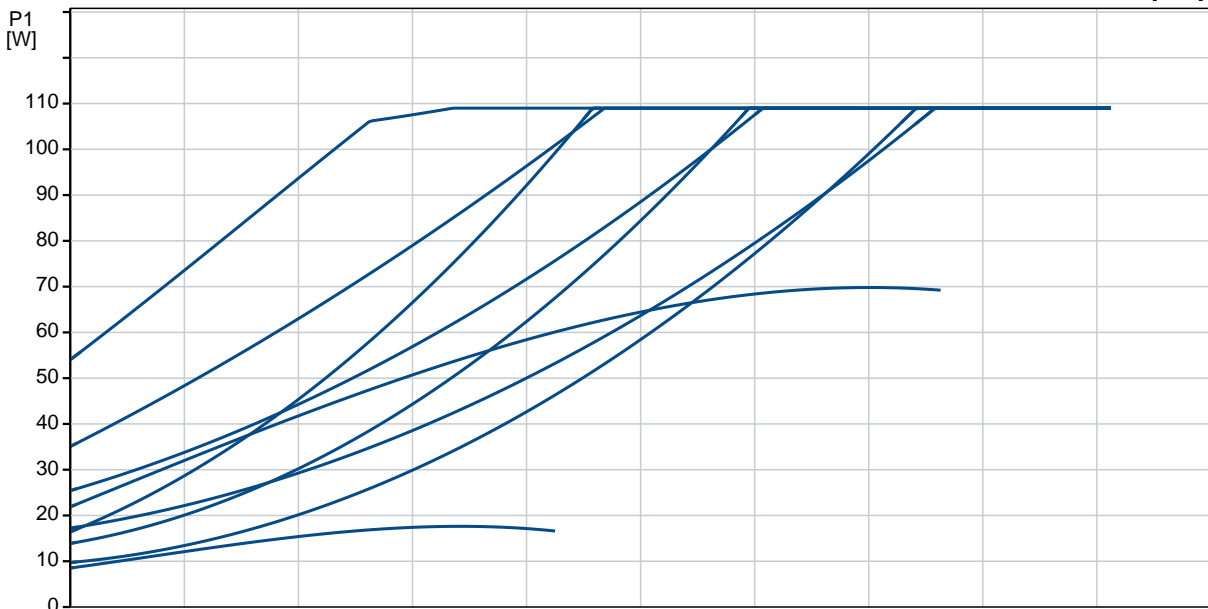
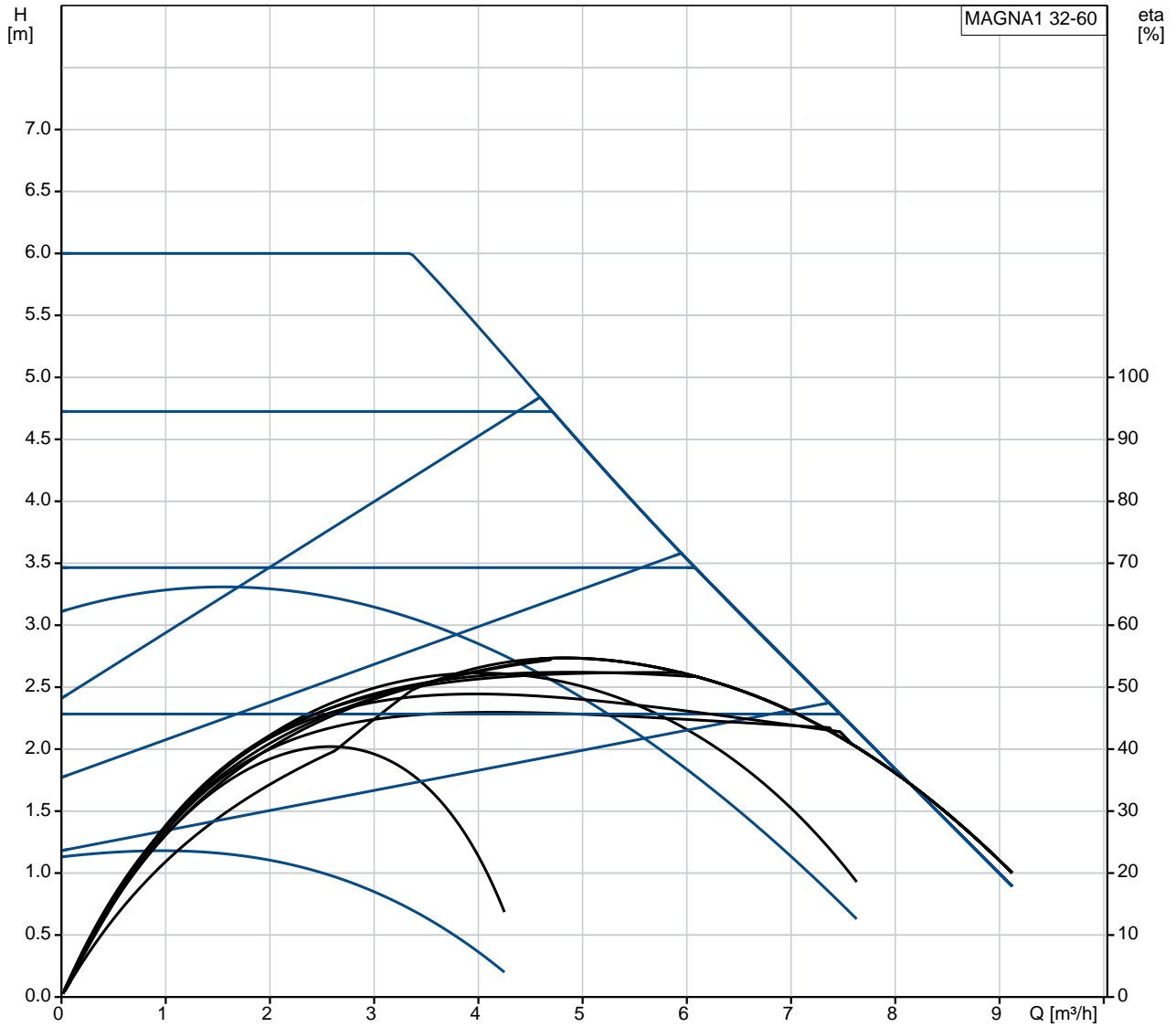


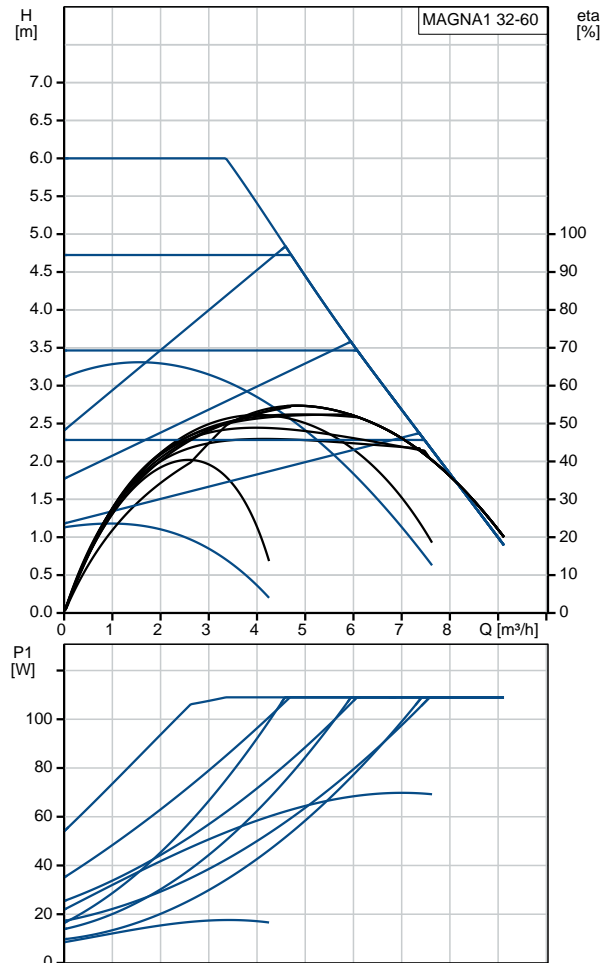
| Position | Qty. | Description   |
|----------|------|---|
|          | 1    | <p><b>MAGNA1 32-60</b></p>  <p>Product No.: <a href="#">99221234</a></p> <p>The new MAGNA1 is the simple option for a job well done. It is the perfect choice when replacing older circulators and due to its compliance with the EuP 2015 regulations, substantial savings on electricity is a reality. The ideal choice for basic performance needs in applications where basic system control and monitoring is desired.</p> <ul style="list-style-type: none"> <li>• Monitoring via the fault relay, ensuring peace of mind</li> <li>• Digital start/stop input available for remote pump control</li> <li>• Continuous operation and reduced downtime with the wireless twin pump function (available on twin-head pumps)</li> <li>• High energy efficiency resulting in substantial savings on electricity</li> <li>• Easy setup and operation via the simple user interface</li> <li>• No maintenance due to the canned-rotor type design.</li> </ul> <p>MAGNA1 is the simple and efficient choice for most applications including</p> <ul style="list-style-type: none"> <li>• Heating <ul style="list-style-type: none"> <li>- Main pump</li> <li>- Mixing loops</li> <li>- Heating surfaces</li> </ul> </li> <li>• Cooling <ul style="list-style-type: none"> <li>- Air conditioning surfaces</li> <li>- Ground source heat pump systems</li> <li>- Smaller chiller applications</li> </ul> </li> </ul> <p><b>Liquid:</b><br/> Pumped liquid: Water<br/> Liquid temperature range: -10 .. 110 °C<br/> Liquid temperature during operation: 60 °C<br/> Density: 983.2 kg/m<sup>3</sup></p> <p><b>Technical:</b><br/> TF class: 110<br/> Approvals on nameplate: CE,VDE,EAC,CN ROHS,WEEE</p> <p><b>Materials:</b><br/> Pump housing: Cast iron<br/> EN-GJL-200<br/> ASTM A48-200B<br/> Impeller: PES 30%GF</p> <p><b>Installation:</b><br/> Range of ambient temperature: 0 .. 40 °C<br/> Maximum operating pressure: 10 bar<br/> Pipe connection: G 2"<br/> Pressure rating: PN10<br/> (@): 180 mm</p> <p><b>Electrical data:</b></p> |

| Position | Qty. | Description   |
|----------|------|---|
|          |      | Power input - P1: 9 .. 111 W<br>Mains frequency: 50 Hz<br>Rated voltage: 1 x 230 V<br>Maximum current consumption: 0.09 .. 0.9 A<br>Enclosure class (IEC 34-5): X4D<br>Insulation class (IEC 85): F<br><br><b>Others:</b><br>Energy (EEI): 0.20<br>Net weight: 4.38 kg<br>Gross weight: 4.78 kg<br>Shipping volume: 0.013 m <sup>3</sup><br>Finnish: LVI NO 4615305 |

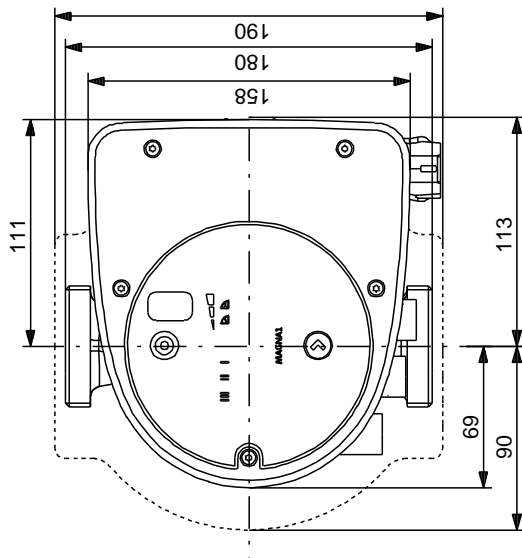
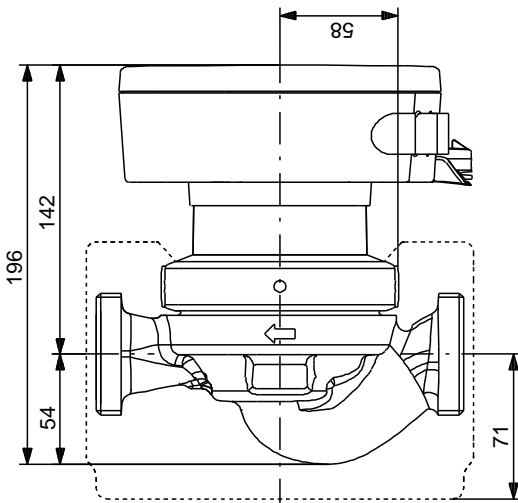
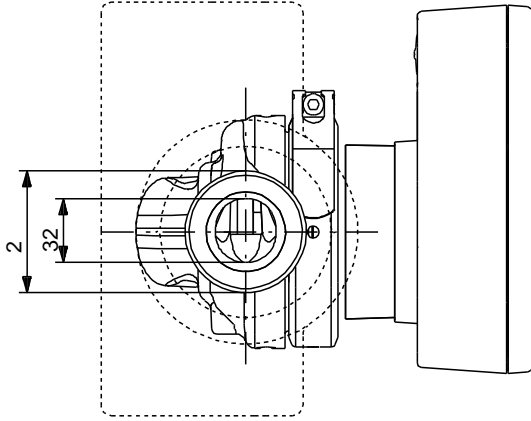
## 99221234 MAGNA1 32-60 50 Hz



| Description                          | Value                                    |
|--------------------------------------|--|
| <b>General information:</b>          |  |
| Product name:                        | MAGNA1 32-60                             |
| Product No:                          | 99221234                                 |
| EAN number:                          | 5712608942075                            |
| <b>Technical:</b>                    |  |
| Head max:                            | 60 dm                                    |
| TF class:                            | 110                                      |
| Approvals on nameplate:              | CE,VDE,EAC,CN<br>ROHS,WEEE               |
| Model:                               | C  |
| <b>Materials:</b>                    |  |
| Pump housing:                        | Cast iron<br>EN-GJL-200<br>ASTM A48-200B |
| Impeller:                            | PES 30%GF                                |
| <b>Installation:</b>                 |  |
| Range of ambient temperature:        | 0 .. 40 °C                               |
| Maximum operating pressure:          | 10 bar                                   |
| Pipe connection:                     | G 2"                                     |
| Pressure rating:                     | PN10                                     |
| (@)                                  | 180 mm                                   |
| <b>Liquid:</b>                       |  |
| Pumped liquid:                       | Water                                    |
| Liquid temperature range:            | -10 .. 110 °C                            |
| Liquid temperature during operation: | 60 °C                                    |
| Density:                             | 983.2 kg/m³                              |
| <b>Electrical data:</b>              |  |
| Power input - P1:                    | 9 .. 111 W                               |
| Mains frequency:                     | 50 Hz                                    |
| Rated voltage:                       | 1 x 230 V                                |
| Maximum current consumption:         | 0.09 .. 0.9 A                            |
| Enclosure class (IEC 34-5):          | X4D                                      |
| Insulation class (IEC 85):           | F  |
| <b>Others:</b>                       |  |
| Energy (EEI):                        | 0.20                                     |
| Net weight:                          | 4.38 kg                                  |
| Gross weight:                        | 4.78 kg                                  |
| Shipping volume:                     | 0.013 m³                                 |
| Finnish:                             | LVI NO 4615305                           |

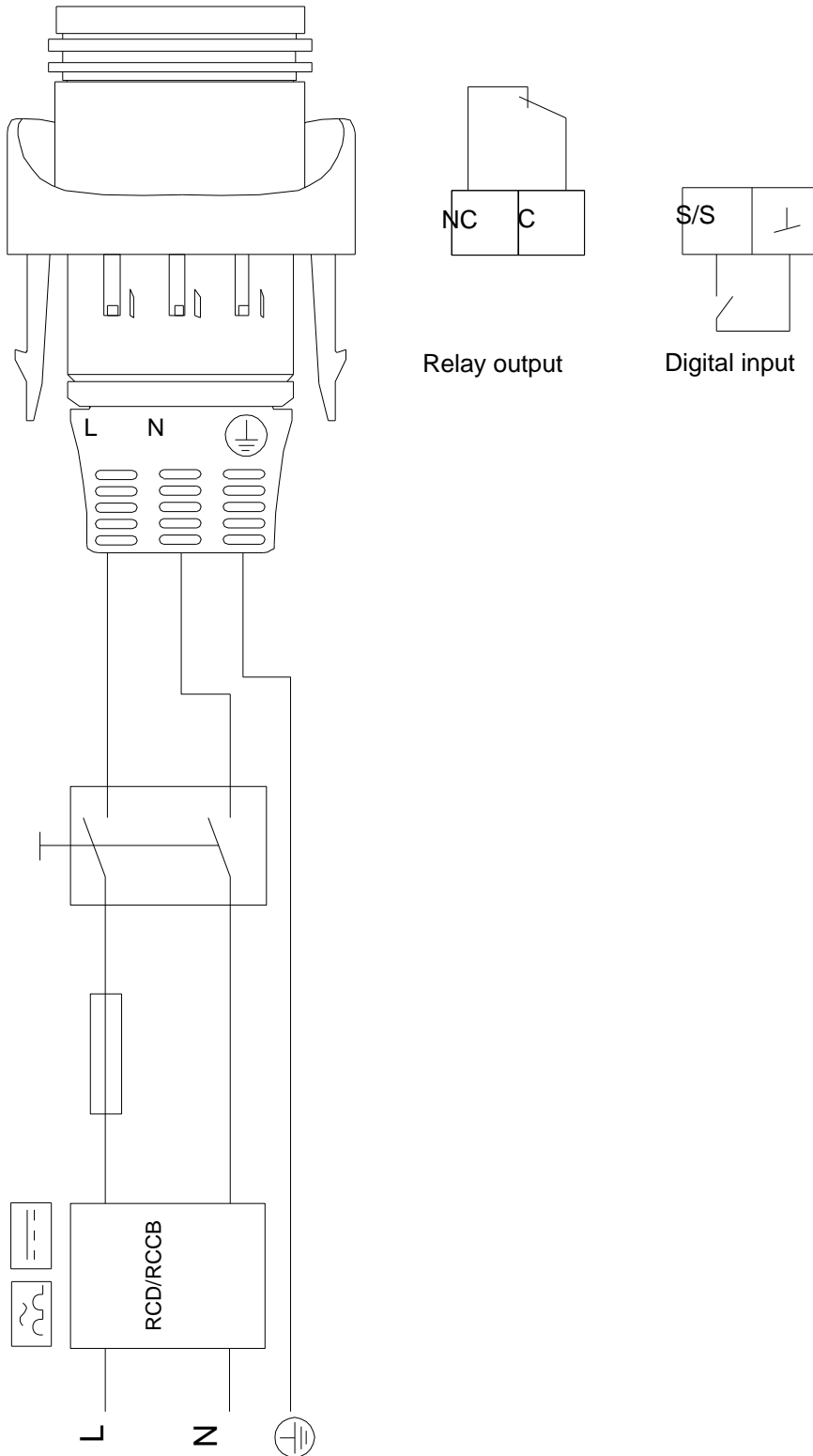


## 99221234 MAGNA1 32-60 50 Hz



Note! All units are in [mm] unless others are stated.  
Disclaimer: This simplified dimensional drawing does not show all details.

## 99221234 MAGNA1 32-60 50 Hz



Note! All units are in [mm] unless others are stated.