
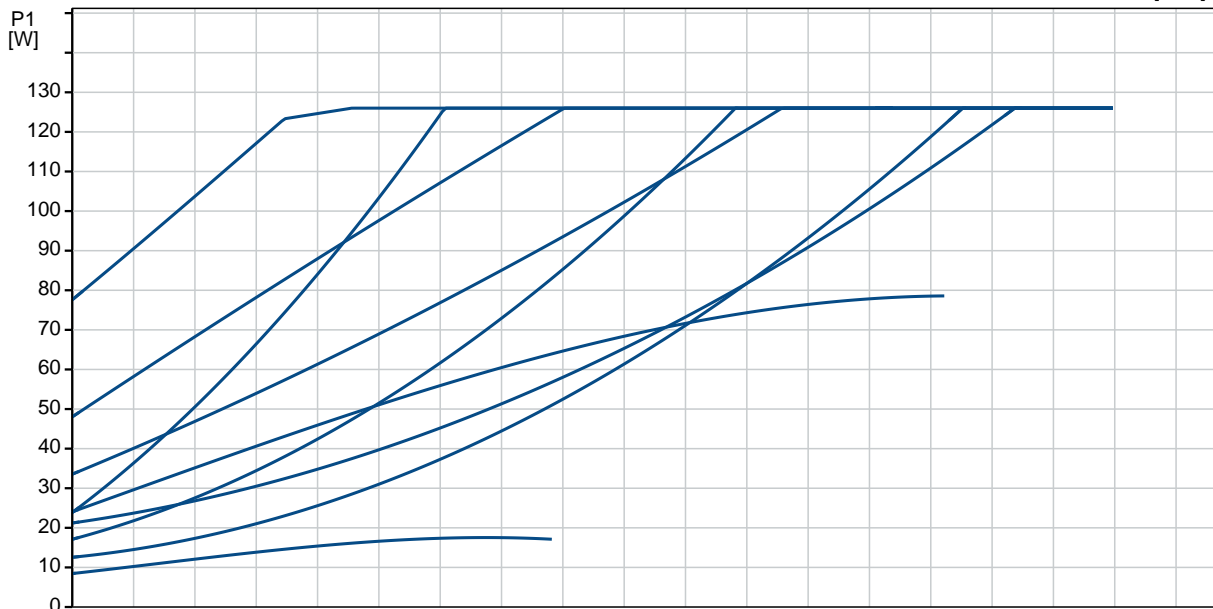
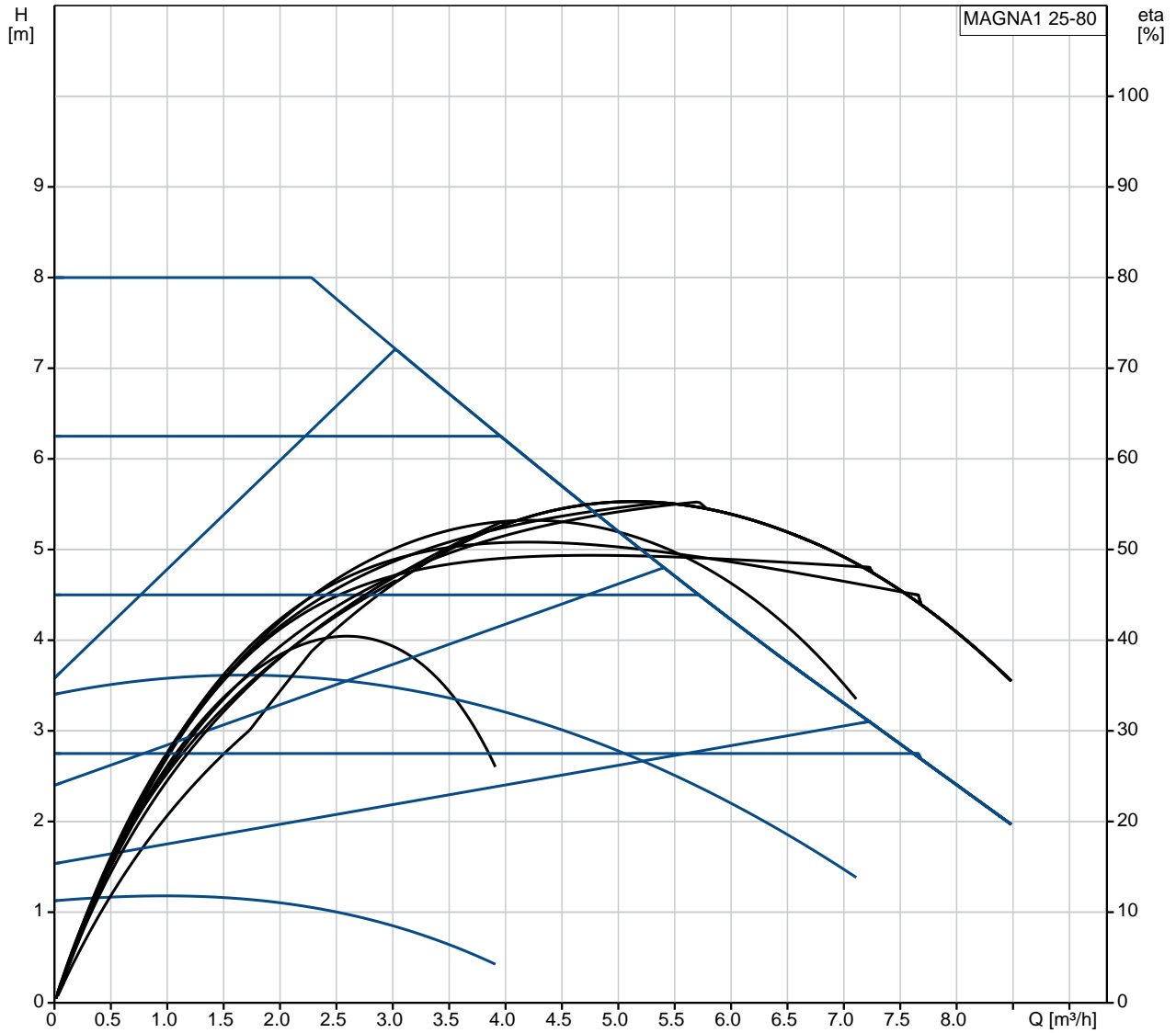


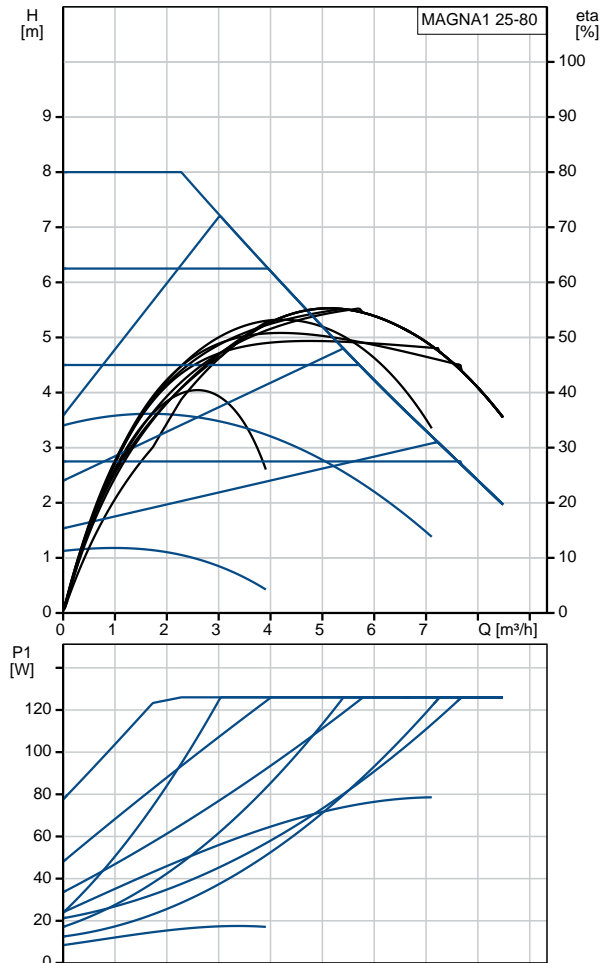
Position	Qty.	Description
	1	<p><b>MAGNA1 25-80</b></p>  <p>Product No.: <a href="#">99221213</a></p> <p>The new MAGNA1 is the simple option for a job well done. It is the perfect choice when replacing older circulators and due to its compliance with the EuP 2015 regulations, substantial savings on electricity is a reality. The ideal choice for basic performance needs in applications where basic system control and monitoring is desired.</p> <ul style="list-style-type: none"> <li>• Monitoring via the fault relay, ensuring peace of mind</li> <li>• Digital start/stop input available for remote pump control</li> <li>• Continuous operation and reduced downtime with the wireless twin pump function (available on twin-head pumps)</li> <li>• High energy efficiency resulting in substantial savings on electricity</li> <li>• Easy setup and operation via the simple user interface</li> <li>• No maintenance due to the canned-rotor type design.</li> </ul> <p>MAGNA1 is the simple and efficient choice for most applications including</p> <ul style="list-style-type: none"> <li>• Heating <ul style="list-style-type: none"> <li>- Main pump</li> <li>- Mixing loops</li> <li>- Heating surfaces</li> </ul> </li> <li>• Cooling <ul style="list-style-type: none"> <li>- Air conditioning surfaces</li> <li>- Ground source heat pump systems</li> <li>- Smaller chiller applications</li> </ul> </li> </ul> <p><b>Liquid:</b>  Pumped liquid: Water  Liquid temperature range: -10 .. 110 °C  Liquid temperature during operation: 60 °C  Density: 983.2 kg/m³</p> <p><b>Technical:</b>  TF class: 110  Approvals on nameplate: CE,VDE,EAC,CN ROHS,WEEE</p> <p><b>Materials:</b>  Pump housing: Cast iron  EN-GJL-200  ASTM A48-200B  Impeller: PES 30%GF</p> <p><b>Installation:</b>  Range of ambient temperature: 0 .. 40 °C  Maximum operating pressure: 10 bar  Pipe connection: G 1 1/2"  Pressure rating: PN10  (@): 180 mm</p> <p><b>Electrical data:</b></p>

Position	Qty.	Description
		Power input - P1: 9 .. 128 W Mains frequency: 50 Hz Rated voltage: 1 x 230 V Maximum current consumption: 0.09 .. 1.03 A Enclosure class (IEC 34-5): X4D Insulation class (IEC 85): F  <b>Others:</b> Energy (EEI): 0.20 Net weight: 4.38 kg Gross weight: 4.78 kg Shipping volume: 0.013 m <sup>3</sup> Finnish: LVI NO 4615231

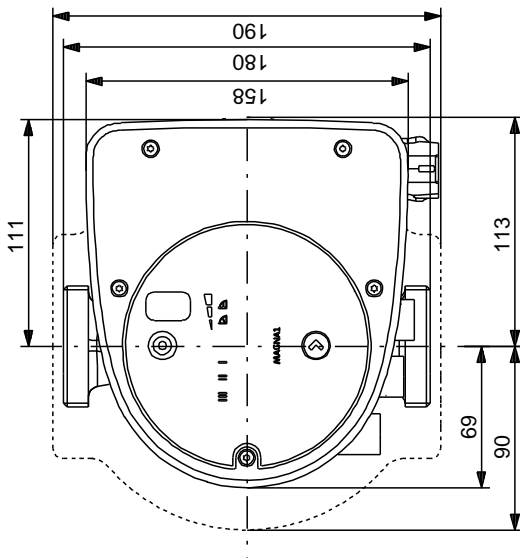
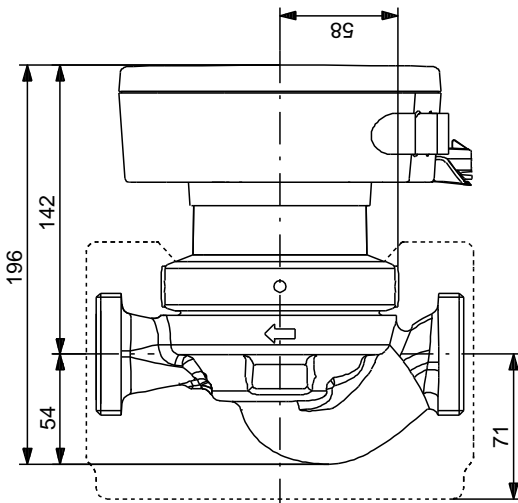
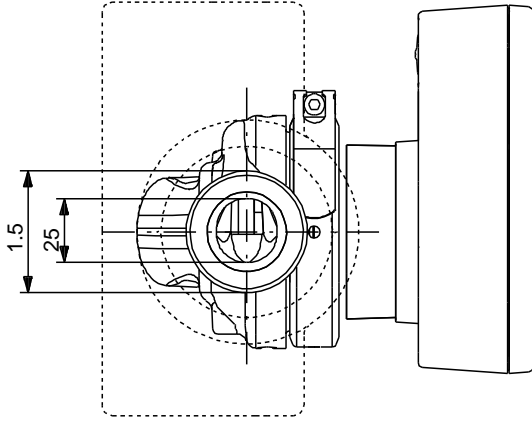
## 99221213 MAGNA1 25-80 50 Hz



Description	Value
<b>General information:</b>	
Product name:	MAGNA1 25-80
Product No:	99221213
EAN number:	5712608941863
<b>Technical:</b>	
Head max:	80 dm
TF class:	110
Approvals on nameplate:	CE,VDE,EAC,CN ROHS,WEEE
Model:	C
<b>Materials:</b>	
Pump housing:	Cast iron EN-GJL-200 ASTM A48-200B
Impeller:	PES 30%GF
<b>Installation:</b>	
Range of ambient temperature:	0 .. 40 °C
Maximum operating pressure:	10 bar
Pipe connection:	G 1 1/2"
Pressure rating:	PN10
(@)	180 mm
<b>Liquid:</b>	
Pumped liquid:	Water
Liquid temperature range:	-10 .. 110 °C
Liquid temperature during operation:	60 °C
Density:	983.2 kg/m <sup>3</sup>
<b>Electrical data:</b>	
Power input - P1:	9 .. 128 W
Mains frequency:	50 Hz
Rated voltage:	1 x 230 V
Maximum current consumption:	0.09 .. 1.03 A
Enclosure class (IEC 34-5):	X4D
Insulation class (IEC 85):	F
<b>Others:</b>	
Energy (EEI):	0.20
Net weight:	4.38 kg
Gross weight:	4.78 kg
Shipping volume:	0.013 m <sup>3</sup>
Finnish:	LVI NO 4615231

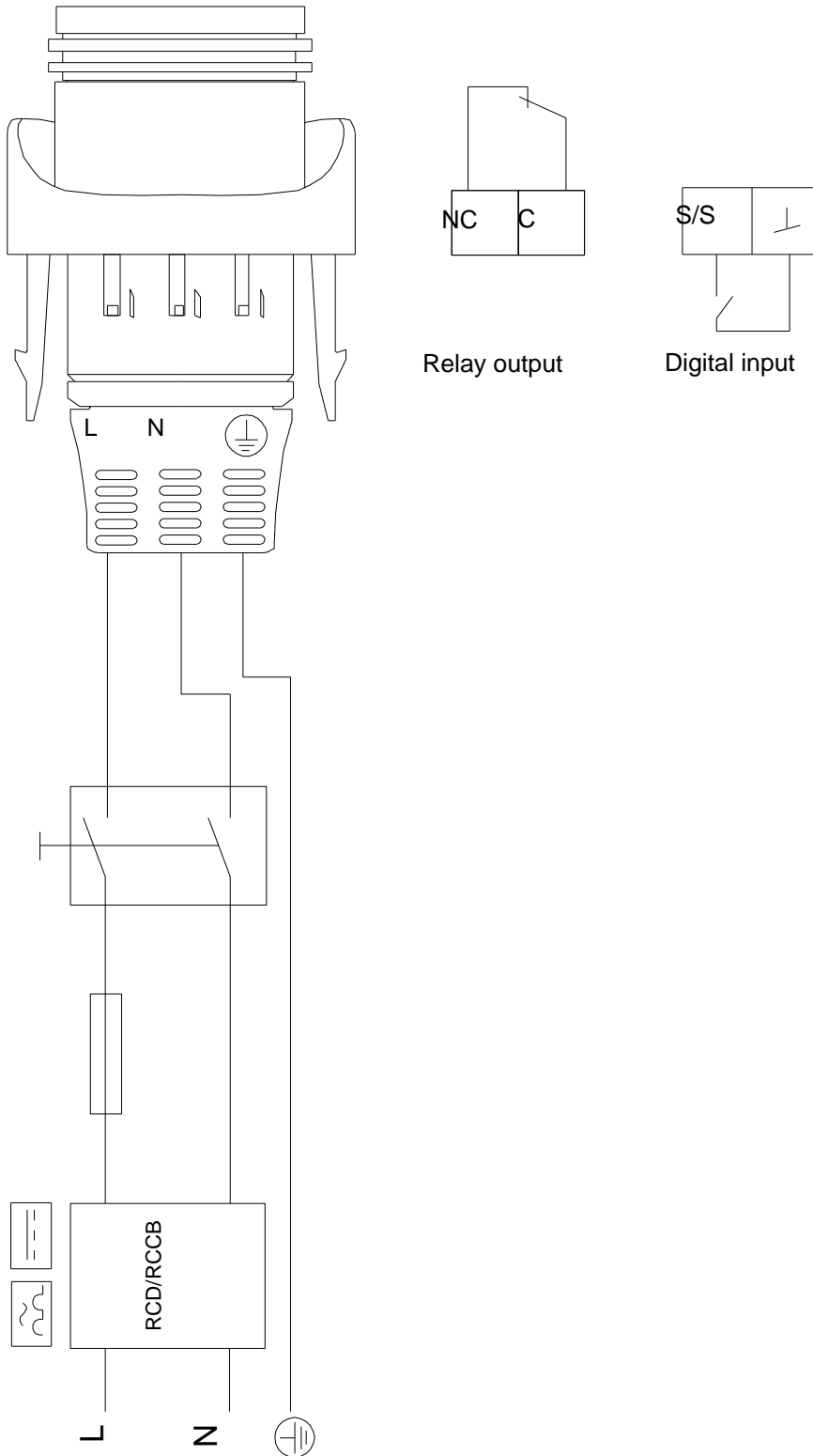


## 99221213 MAGNA1 25-80 50 Hz



Note! All units are in [mm] unless others are stated.  
Disclaimer: This simplified dimensional drawing does not show all details.

## 99221213 MAGNA1 25-80 50 Hz



Note! All units are in [mm] unless others are stated.