


Position	Qty.	Description
	1	<p>COMFORT 15-14 BX PM GB</p>  <p style="text-align: right;">Note! Product picture may differ from actual product</p> <p>Product No.: 99164486</p> <p>The Grundfos Comfort PM is designed for recirculation of domestic hot water in single- and two-family houses. It has a lead-free pump housing suitable for potable water and is powered by a high-efficiency single-phase, 12-pole permanent-magnet motor.</p> <p>Features and benefits:</p> <ul style="list-style-type: none"> * Quick and simple electrical installation due to 1,5m cable incl. power plug * Dry-running detection * Easy-to-clean and lime-insensitive spheric rotor * Wearless operation due to liquid-lubricated bearing * No leakage risk due to a static seal * Easy maintenance and cleaning through the easy-to-separate pump head fitting almost all competitor pump housings * Corrosion-resistant lead-free brass pump housing * No additional motor protection necessary due to integrated motor electronics * No additional installation costs due to integrated non-return and isolating valve in included fittings <p>Liquid:</p> <p>Pumped liquid: Water Liquid temperature range: 2 .. 95 °C Liquid temperature during operation: 60 °C Density: 983.2 kg/m³</p> <p>Technical:</p> <p>TF class: 95 Approvals on nameplate: CE,VDE,WEEE</p> <p>Materials:</p> <p>Pump housing: Brass MS 68 Impeller: Stainless steel, EPDM, PPO, PTFE, Graphit</p> <p>Installation:</p> <p>Maximum operating pressure: 10 bar Type of connection: G Pipe connection: 1 (@): 140 mm</p> <p>Electrical data:</p> <p>Max. power input: 7 W Mains frequency: 50 Hz Rated voltage: 1 x 230 V Current in speed 3: 0.07 A Capacitor size - run: 0.6 µF</p>



Company name:

Created by:

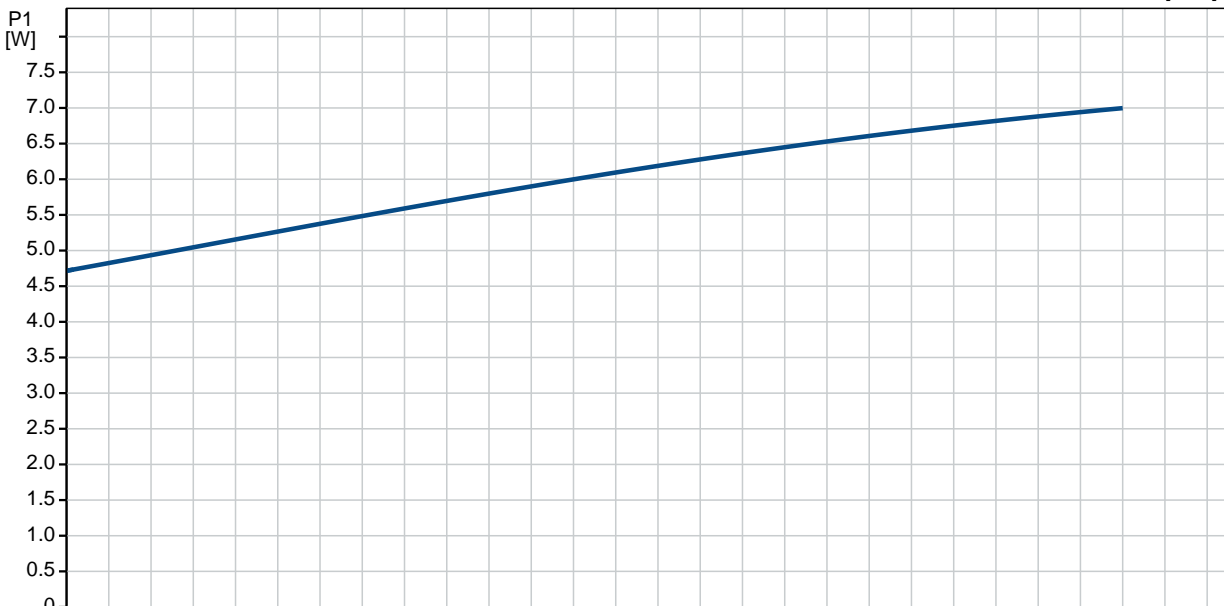
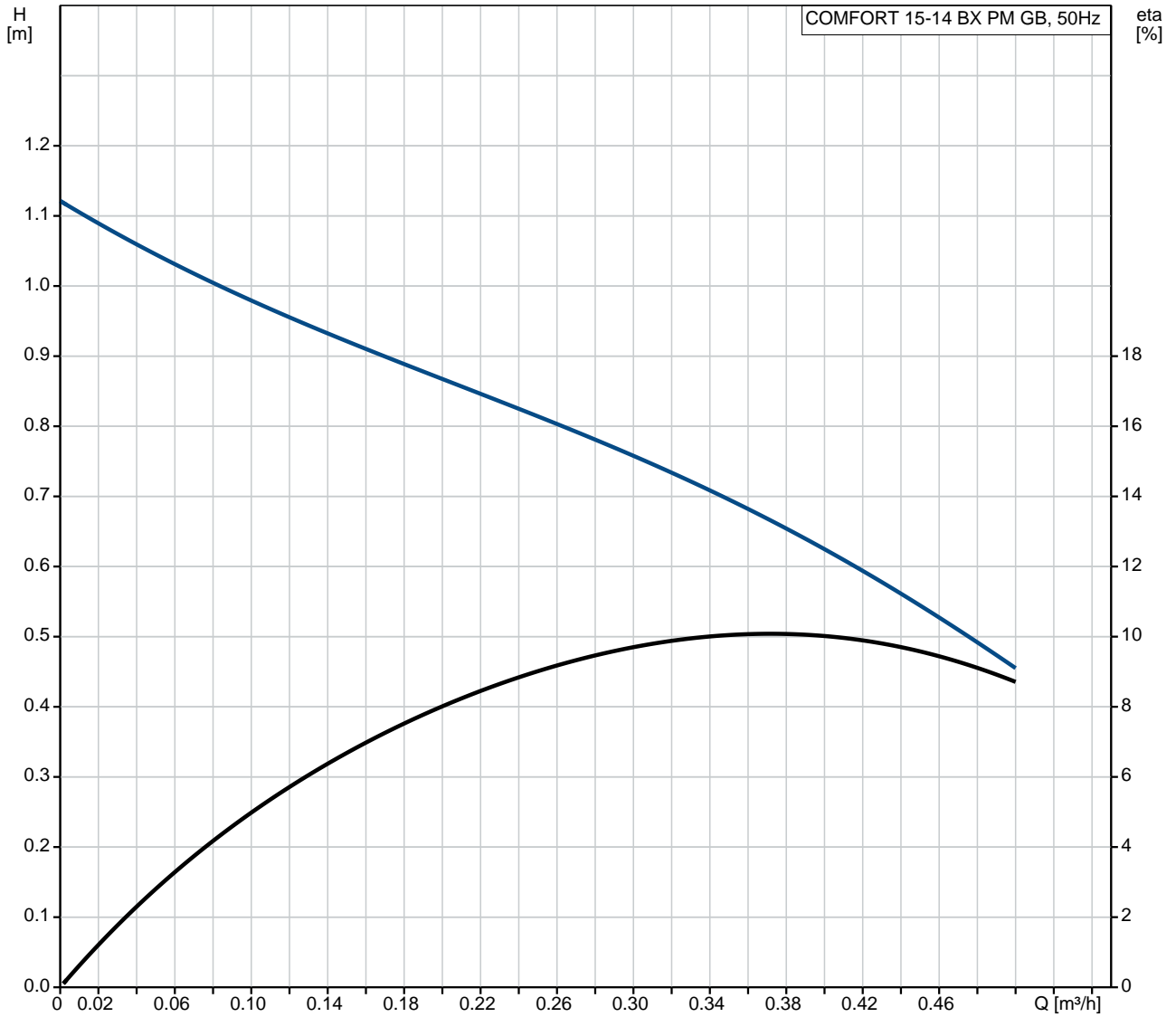
Phone:

Date:

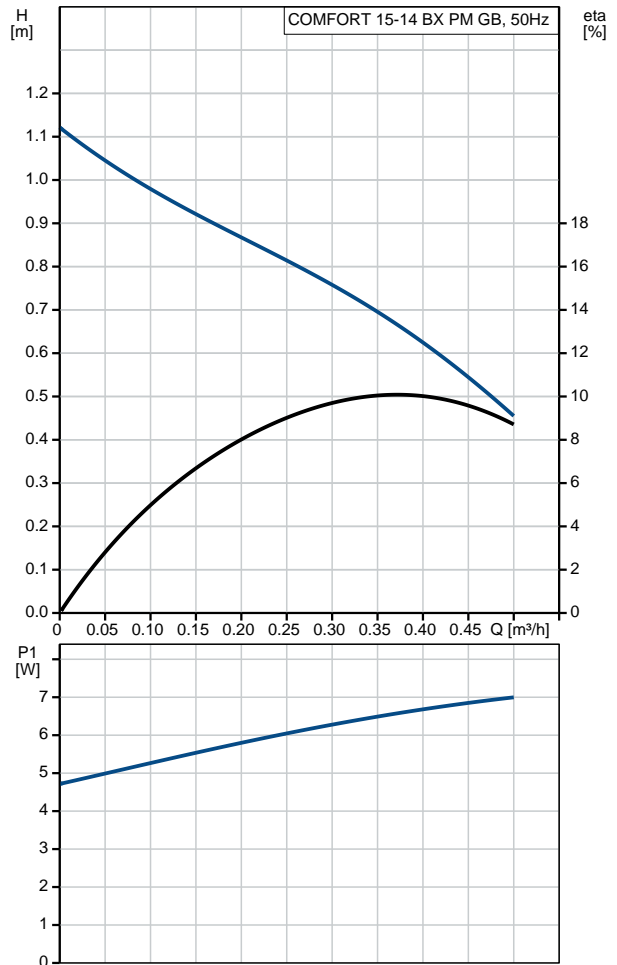
31/10/2018

Position	Qty.	Description
		Enclosure class (IEC 34-5): IP44 Insulation class (IEC 85): F
		Others: Net weight: 1.35 kg Gross weight: 1.51 kg Shipping volume: 0.003 m ³

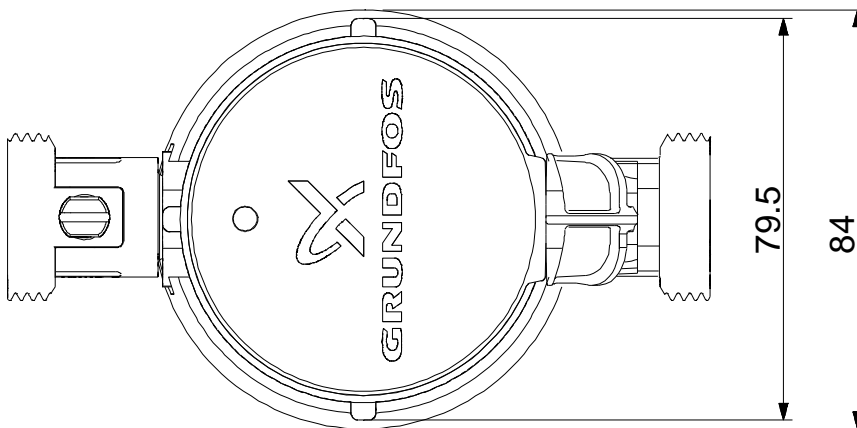
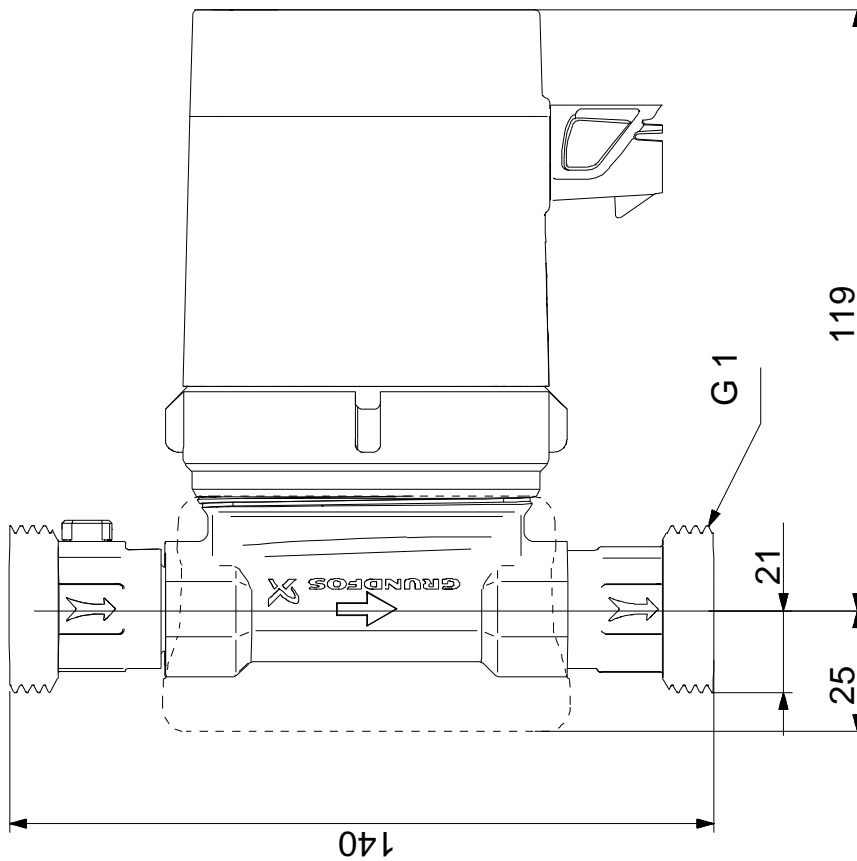
99164486 COMFORT 15-14 BX PM GB 50 Hz



Description	Value
General information:	
Product name:	COMFORT 15-14 BX PM GB
Product No:	99164486
EAN number:	5712607928476
Technical:	
Speed no:	1
Head max:	14 dm
TF class:	95
Approvals on nameplate:	CE, VDE, WEEE
Valve:	pump with built-in isolating and non-return valves
Materials:	
Pump housing:	Brass MS 68
Impeller:	Stainless steel, EPDM, PPO, PTFE, Graphit
Installation:	
Maximum operating pressure:	10 bar
Type of connection:	G
Pipe connection:	1
(@)	140 mm
Liquid:	
Pumped liquid:	Water
Liquid temperature range:	2 .. 95 °C
Liquid temperature during operation:	60 °C
Density:	983.2 kg/m ³
Electrical data:	
Max. power input:	7 W
Mains frequency:	50 Hz
Rated voltage:	1 x 230 V
Current in speed 3:	0.07 A
Capacitor size - run:	0.6 µF
Enclosure class (IEC 34-5):	IP44
Insulation class (IEC 85):	F
Motor protec:	NONE
Thermal protec:	Impedance protected
Others:	
Net weight:	1.35 kg
Gross weight:	1.51 kg
Shipping volume:	0.003 m ³
Country code:	GB



99164486 COMFORT 15-14 BX PM GB 50 Hz



Note! All units are in [mm] unless others are stated.
Disclaimer: This simplified dimensional drawing does not show all details.

99164486 COMFORT 15-14 BX PM GB 50 Hz



Note! All units are in [mm] unless others are stated.