


Position	Qty.	Description
	1	<p><b>COMFORT 15-14 B PM GB</b></p>  <p>Note! Product picture may differ from actual product</p> <p>Product No.: <a href="#">99164484</a></p> <p>The high-efficiency Grundfos Comfort PM range is a product for domestic hotwater re-circulation with lead free drinking water suitable pump housing for single- and two-family houses powered by a high efficiency single-phase, 12-pole, permanent-magnet motor.</p> <p>Features and benefits:</p> <ul style="list-style-type: none"> <li>* Quick and simple electrical installation due to 1,5m cable incl. power plug</li> <li>* dry running detection</li> <li>* Easy-to-clean and lime-insensitive spheric rotor</li> <li>* Wearless operation due to liquid lubricated bearing</li> <li>* No leakage risk due to a static seal</li> <li>* Easy maintenance and cleaning through the easy-to-separate pump head fitting almost all competitor pump housings</li> <li>* Corrosion resistant lead free brass pump housing</li> <li>* No additional motor protection necessary due to integrated motor electronics</li> </ul> <p><b>Liquid:</b></p> <p>Pumped liquid: Water</p> <p>Liquid temperature range: 2 .. 95 °C</p> <p>Liquid temperature during operation: 60 °C</p> <p>Density: 983.2 kg/m<sup>3</sup></p> <p><b>Technical:</b></p> <p>TF class: 95</p> <p>Approvals on nameplate: CE,VDE,WEEE</p> <p><b>Materials:</b></p> <p>Pump housing: Brass MS 68</p> <p>Impeller: Stainless steel, EPDM, PPO, PTFE, Graphit</p> <p><b>Installation:</b></p> <p>Maximum operating pressure: 10 bar</p> <p>Type of connection: Rp</p> <p>Pipe connection: 1/2</p> <p>(@): 80 mm</p> <p><b>Electrical data:</b></p> <p>Max. power input: 7 W</p> <p>Mains frequency: 50 Hz</p> <p>Rated voltage: 1 x 230 V</p> <p>Current in speed 3: 0.07 A</p> <p>Capacitor size - run: 0.6 µF</p> <p>Enclosure class (IEC 34-5): IP44</p> <p>Insulation class (IEC 85): F</p>



Company name:

Created by:

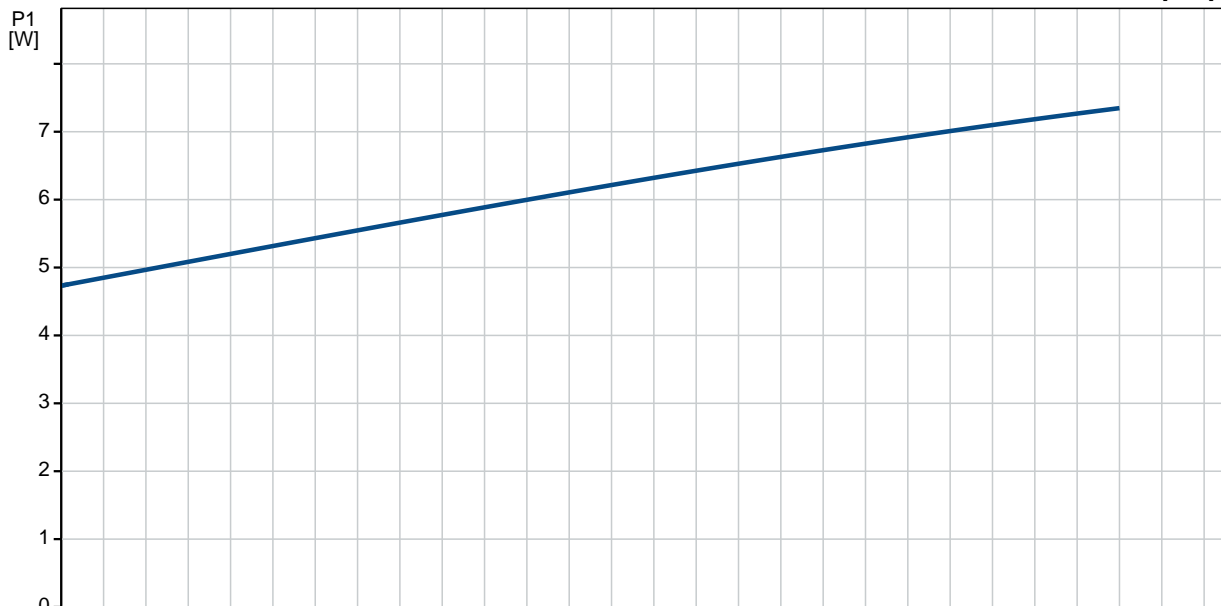
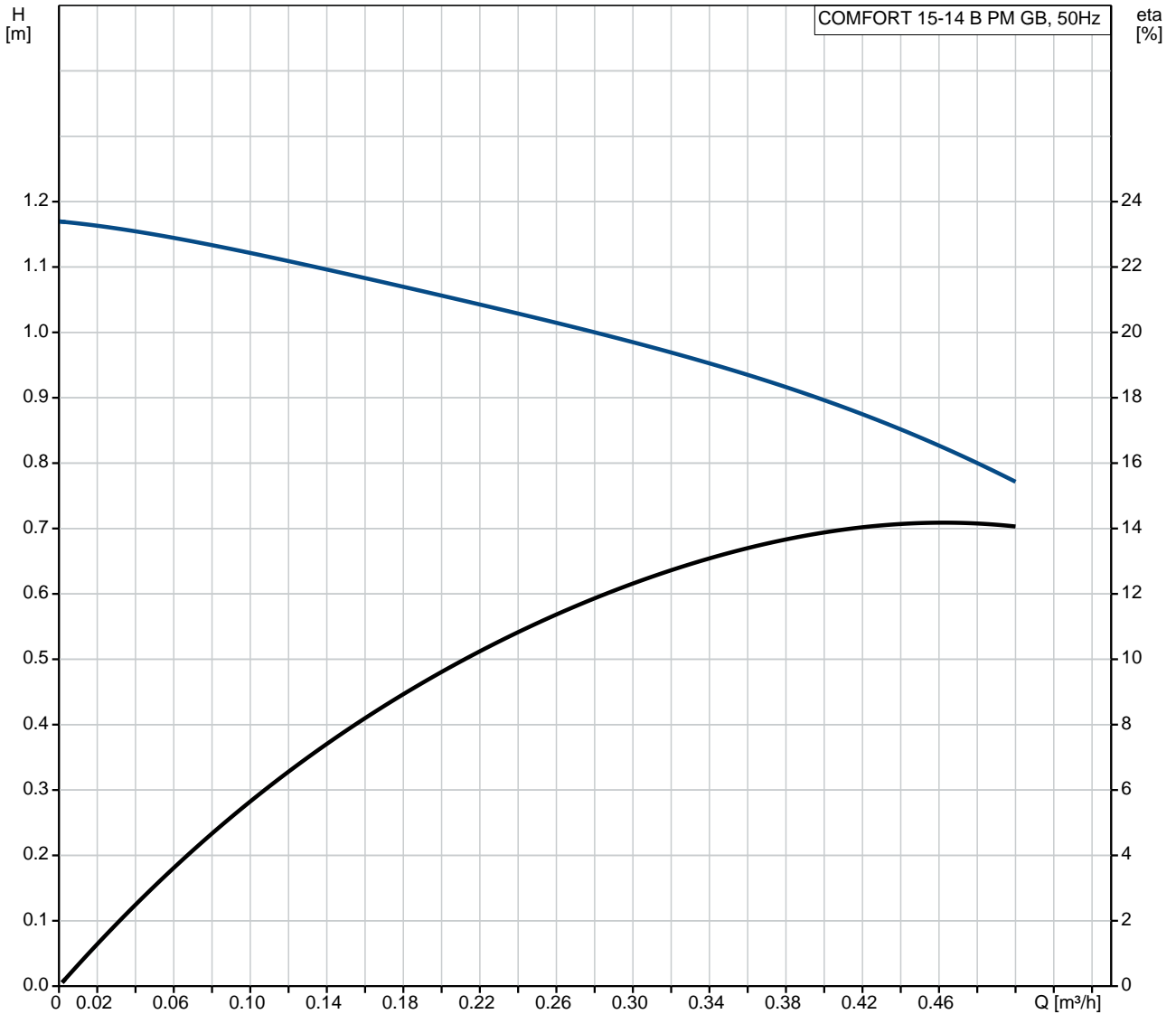
Phone:

Date:

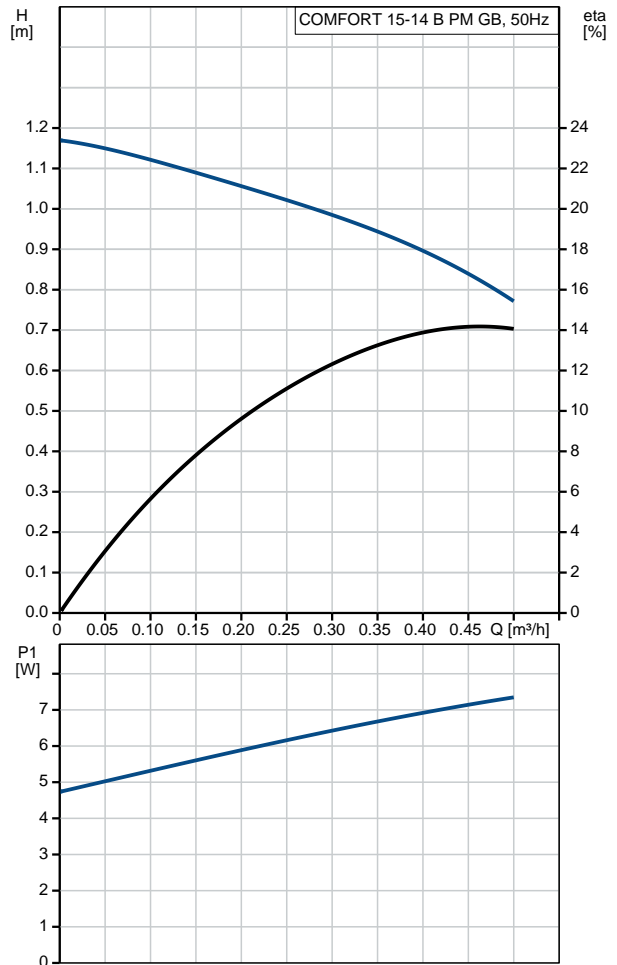
31/10/2018

Position	Qty.	Description						
		<p><b>Others:</b></p> <table><tr><td>Net weight:</td><td>1 kg</td></tr><tr><td>Gross weight:</td><td>1.12 kg</td></tr><tr><td>Shipping volume:</td><td>0.003 m<sup>3</sup></td></tr></table>	Net weight:	1 kg	Gross weight:	1.12 kg	Shipping volume:	0.003 m <sup>3</sup>
Net weight:	1 kg							
Gross weight:	1.12 kg							
Shipping volume:	0.003 m <sup>3</sup>							

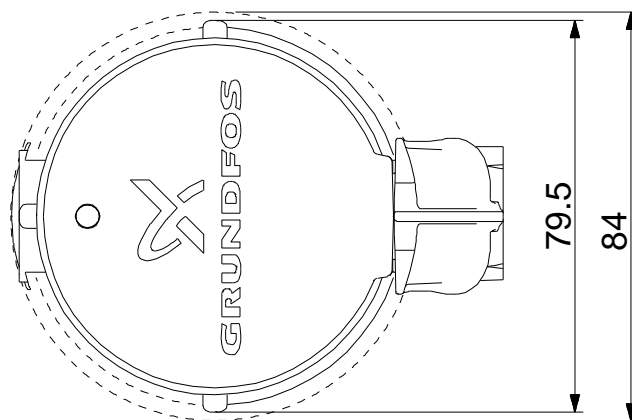
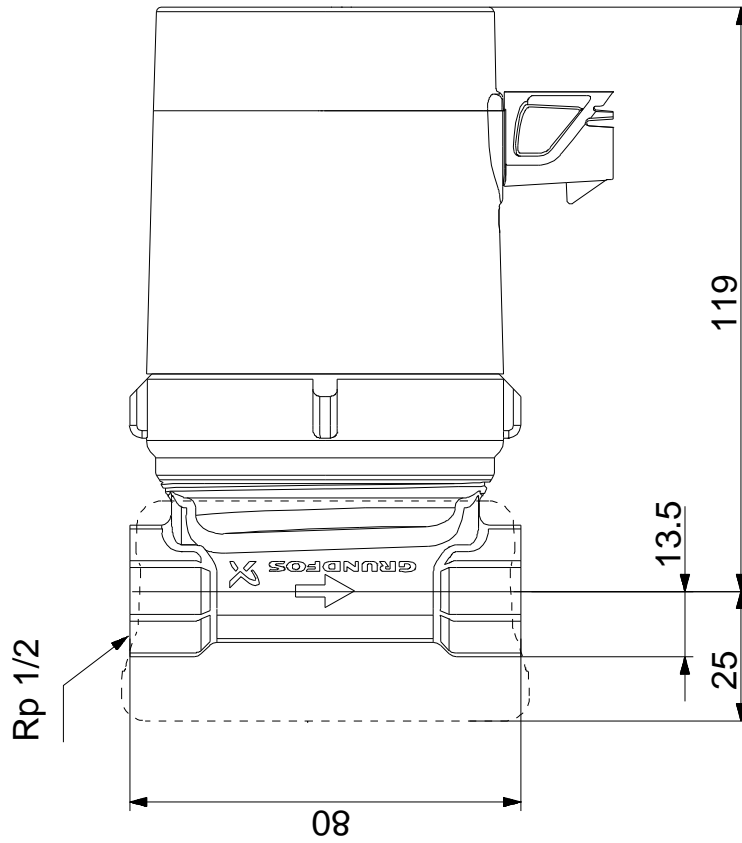
**99164484 COMFORT 15-14 B PM GB 50 Hz**



Description	Value
<b>General information:</b>	
Product name:	COMFORT 15-14 B PM GB
Product No:	<a href="#">99164484</a>
EAN number:	5712607928438
<b>Technical:</b>	
Speed no:	1
Head max:	14 dm
TF class:	95
Approvals on nameplate:	CE,VDE,WEEE
<b>Materials:</b>	
Pump housing:	Brass MS 68
Impeller:	Stainless steel, EPDM, PPO, PTFE, Graphit
<b>Installation:</b>	
Maximum operating pressure:	10 bar
Type of connection:	Rp
Pipe connection:	1/2
(@)	80 mm
<b>Liquid:</b>	
Pumped liquid:	Water
Liquid temperature range:	2 .. 95 °C
Liquid temperature during operation:	60 °C
Density:	983.2 kg/m <sup>3</sup>
<b>Electrical data:</b>	
Max. power input:	7 W
Mains frequency:	50 Hz
Rated voltage:	1 x 230 V
Current in speed 3:	0.07 A
Capacitor size - run:	0.6 µF
Enclosure class (IEC 34-5):	IP44
Insulation class (IEC 85):	F
Motor protec:	NONE
Thermal protec:	Impedance protected
<b>Others:</b>	
Net weight:	1 kg
Gross weight:	1.12 kg
Shipping volume:	0.003 m <sup>3</sup>
Country code:	GB



## 99164484 COMFORT 15-14 B PM GB 50 Hz



Note! All units are in [mm] unless others are stated.  
Disclaimer: This simplified dimensional drawing does not show all details.

**99164484 COMFORT 15-14 B PM GB 50 Hz**



Note! All units are in [mm] unless others are stated.