
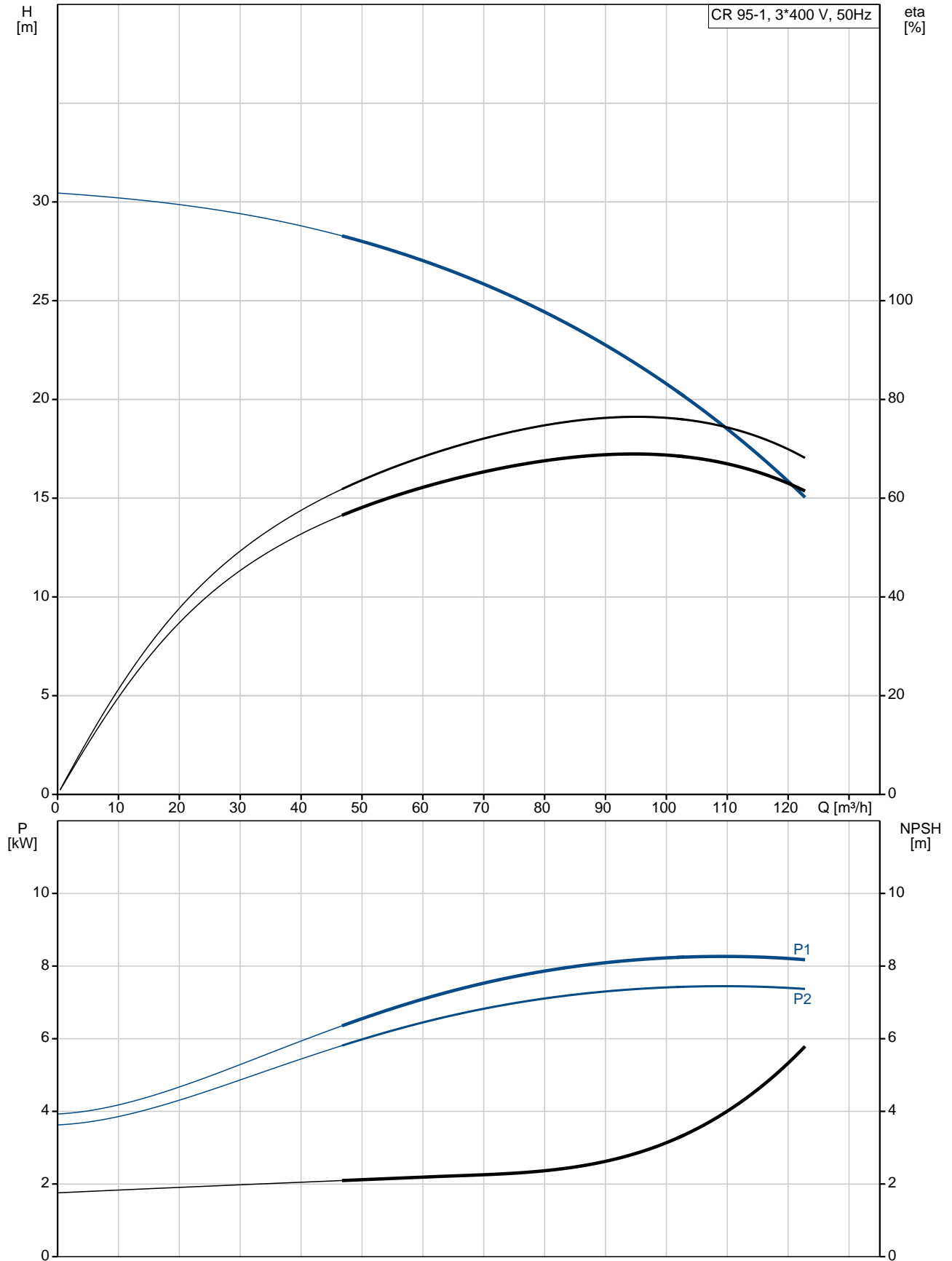


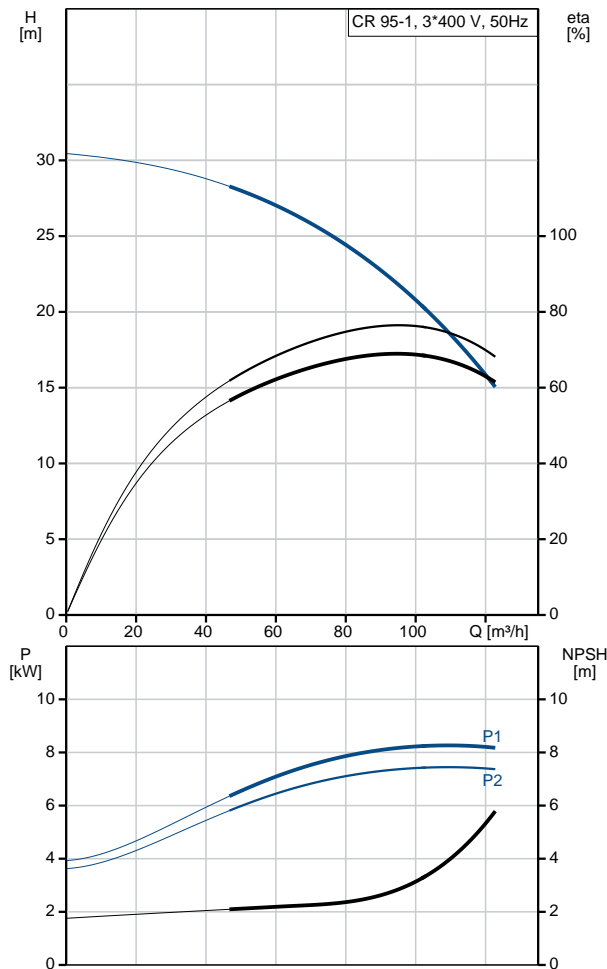
Position	Qty.	Description
	1	<p>CR 95-1 A-F-A-V-HQQV</p>  <p>Product No.: 99141747</p> <p>Vertical, multistage centrifugal pump with suction and discharge ports on same the level (in-line) enabling installation in a horizontal one-pipe system. The pump head and base are in cast iron – all other wetted parts are in stainless steel. The Grundfos cartridge shaft seal ensures high reliability, safe handling, easy access and service.</p> <p>Power transmission is via a rigid split coupling. Pipework connection is via DIN flanges.</p> <p>The pump is fitted with a 3-phase, fan-cooled asynchronous motor.</p> <p>Liquid:</p> <p>Pumped liquid: Water Liquid temperature range: -20 .. 90 °C Liquid temperature during operation: 20 °C Density: 998.2 kg/m³</p> <p>Technical:</p> <p>Rated flow: 95 m³/h Rated head: 21.7 m Pump orientation: Vertical Shaft seal arrangement: Single Code for shaft seal: HQQV Curve tolerance: ISO9906:2012 3B</p> <p>Materials:</p> <p>Base: Ductile cast iron EN 1563 EN-GJS-500-7 Impeller: Stainless steel EN 1.4301 Bearing: WC/WC Support bearing: Graflon Material certified according to: European standards</p> <p>Installation:</p> <p>Maximum ambient temperature: 60 °C Maximum operating pressure: 16 bar Max pressure at stated temp: 16 bar / 90 °C Type of connection: DIN Size of inlet connection: DN 100 Size of outlet connection: DN 100 Pressure rating for pipe connection: PN 16 Flange size for motor: FF265</p> <p>Electrical data:</p> <p>Motor standard: IEC Motor type: 132SB IE Efficiency class: IE3 Rated power - P2: 7.5 kW</p>

Position	Qty.	Description
		Power (P2) required by pump: 7.5 kW Mains frequency: 50 Hz Rated voltage: 3 x 380-415D/660-690Y V Rated current: 14,4-14,0/8,30-8,10 A Starting current: 780-910 % Cos phi - power factor: 0.88-0.82 Rated speed: 2910-2920 rpm Efficiency: IE3 90,1% Motor efficiency at full load: 90.1-90.4 % Motor efficiency at 3/4 load: 90.8 % Motor efficiency at 1/2 load: 90.8 % Number of poles: 2 Enclosure class (IEC 34-5): 55 Dust/Jetting Insulation class (IEC 85): F Controls: Frequency converter: Not prepared for VFD Others: Net weight: 147 kg Gross weight: 186 kg Shipping volume: 0.664 m ³ Thrust handling device: N Approvals: CE, EAC, ACS, WRAS Country of origin: GB Custom tariff no.: 84137075

99141747 CR 95-1 A-F-A-V-HQQV 50 Hz



Description	Value
General information:	
Product name:	CR 95-1 A-F-A-V-HQQV
Product No:	99141747
EAN number:	5712607527372
Price:	3.668,00 GBP
Technical:	
Rated flow:	95 m ³ /h
Rated head:	21.7 m
Stages:	1
Impellers:	1
Low NPSH:	N
Pump orientation:	Vertical
Shaft seal arrangement:	Single
Code for shaft seal:	HQQV
Curve tolerance:	ISO9906:2012 3B
Pump version:	A
Model:	A
Cooling:	IC 411
Materials:	
Base:	Ductile cast iron EN 1563 EN-GJS-500-7
Impeller:	Stainless steel EN 1.4301
Material code:	A
Code for rubber:	V
Bearing:	WC/WC
Support bearing:	Graflon
Material certified according to:	European standards
Installation:	
Maximum ambient temperature:	60 °C
Maximum operating pressure:	16 bar
Max pressure at stated temp:	16 bar / 90 °C
Type of connection:	DIN
Size of inlet connection:	DN 100
Size of outlet connection:	DN 100
Pressure rating for pipe connection:	PN 16
Flange size for motor:	FF265
Connect code:	F
Liquid:	
Pumped liquid:	Water
Liquid temperature range:	-20 .. 90 °C
Liquid temperature during operation:	20 °C
Density:	998.2 kg/m ³
Electrical data:	
Motor standard:	IEC
Motor type:	132SB
IE Efficiency class:	IE3
Rated power - P2:	7.5 kW
Power (P2) required by pump:	7.5 kW
Mains frequency:	50 Hz
Rated voltage:	3 x 380-415D/660-690Y V
Rated current:	14,4-14,0/8,30-8,10 A
Starting current:	780-910 %
Cos phi - power factor:	0.88-0.82
Rated speed:	2910-2920 rpm
Efficiency:	IE3 90,1%
Motor efficiency at full load:	90.1-90.4 %
Motor efficiency at 3/4 load:	90.8 %





Company name:

Created by:

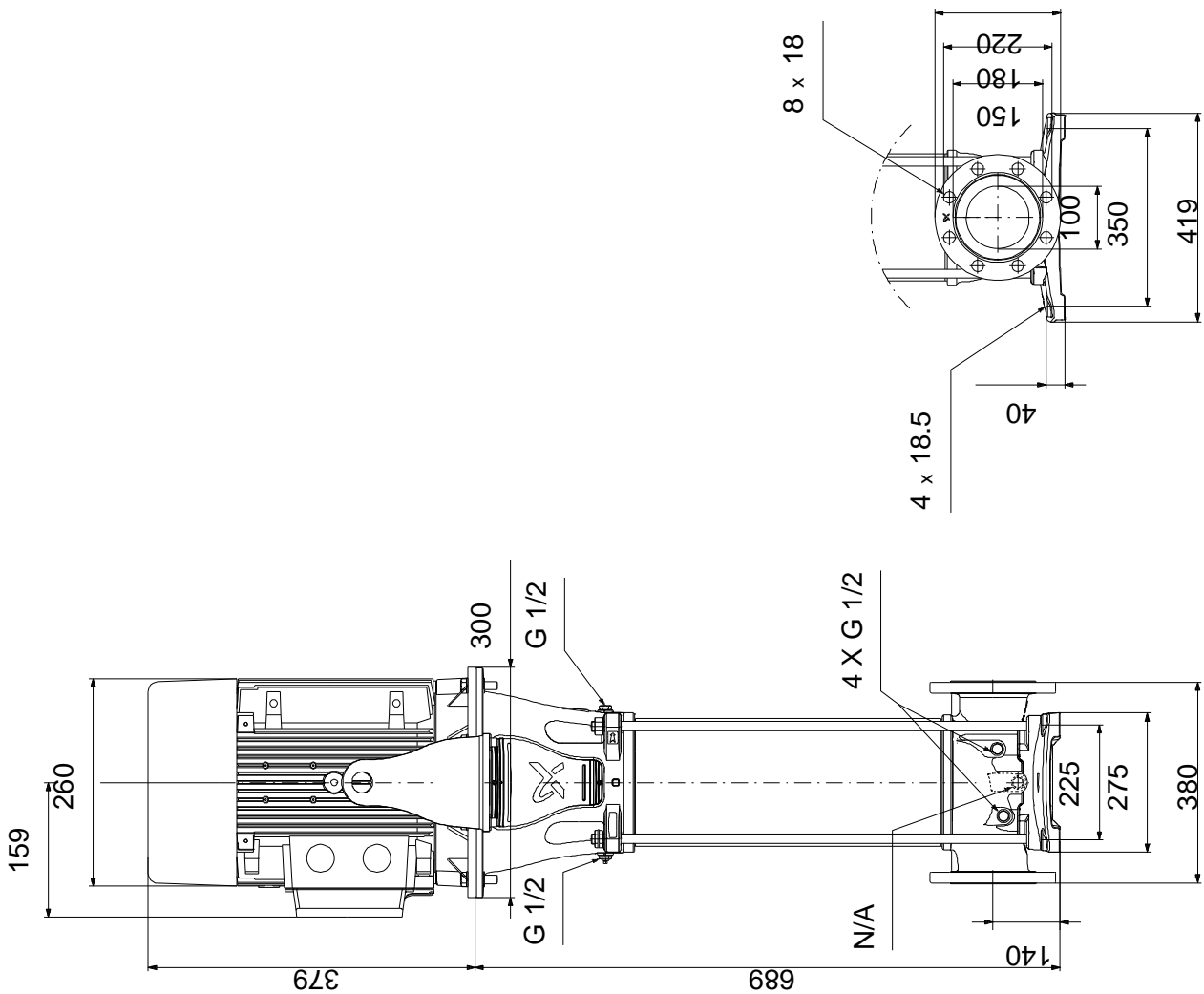
Phone:

Date:

12/09/2018

Description	Value
Motor efficiency at 1/2 load:	90.8 %
Number of poles:	2
Enclosure class (IEC 34-5):	55 Dust/Jetting
Insulation class (IEC 85):	F
Motor protec:	PTC
Motor No:	85U17522
Controls:	
Frequency converter:	Not prepared for VFD
Others:	
Net weight:	147 kg
Gross weight:	186 kg
Shipping volume:	0.664 m ³
Thrust handling device:	N
Approvals:	CE, EAC, ACS, WRAS
Country of origin:	GB
Custom tariff no.:	84137075

99141747 CR 95-1 A-F-A-V-HQQV 50 Hz



Note! All units are in [mm] unless others are stated.
Disclaimer: This simplified dimensional drawing does not show all details.

99141747 CR 95-1 A-F-A-V-HQQV 50 Hz



Note! All units are in [mm] unless others are stated.