
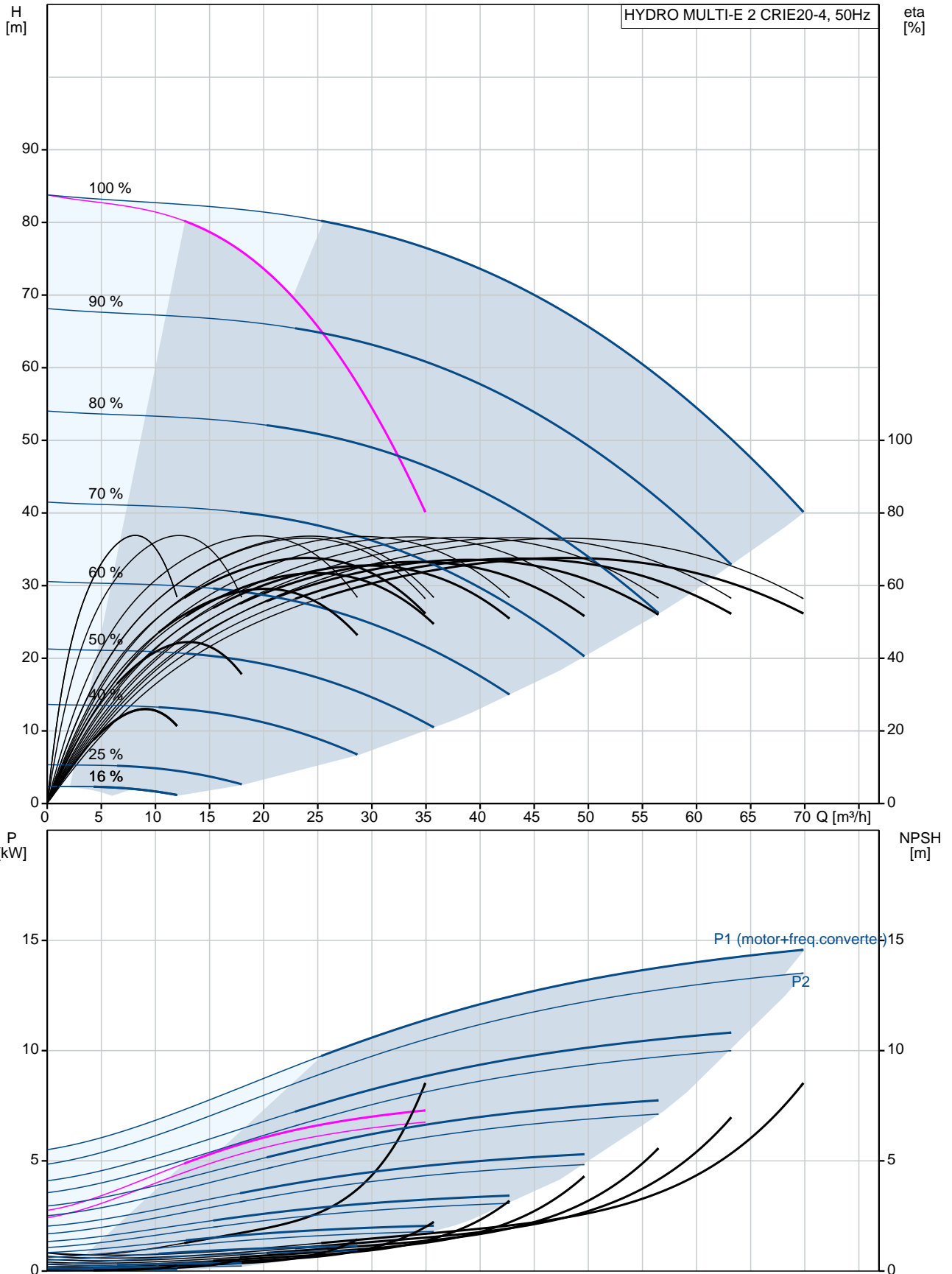


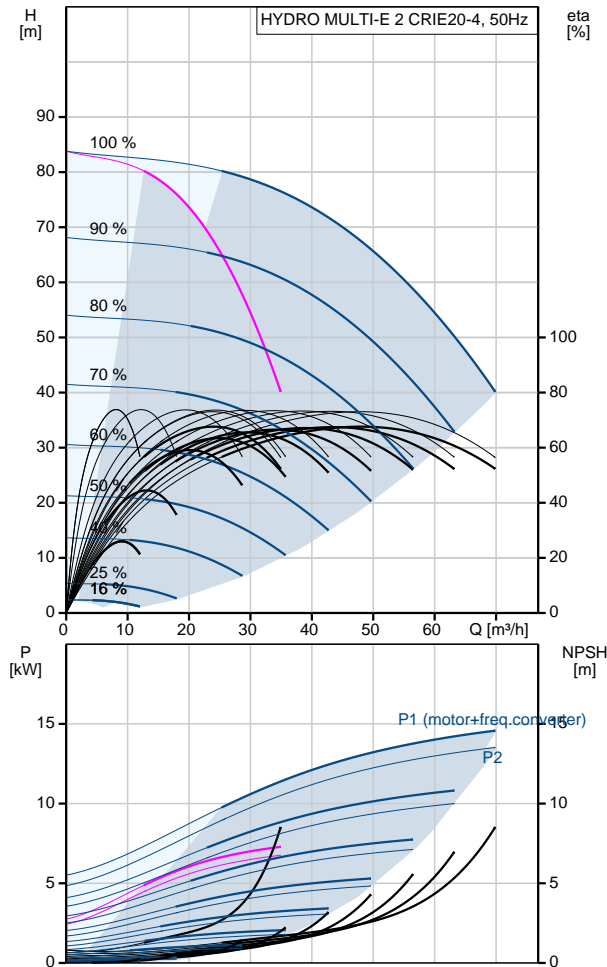
| Position | Qty. | Description |
|----------|------|--|
| | 1 | <p data-bbox="320 338 655 365">HYDRO MULTI-E 2 CRIE20-4</p> <div data-bbox="379 409 635 607" style="text-align: center;">  </div> <p data-bbox="711 611 1193 638" style="text-align: center;">Note! Product picture may differ from actual product</p> <p data-bbox="320 642 584 669">Product No.: 99133601</p> <p data-bbox="320 701 1449 754">GRUNDFOS Hydro Multi-E booster sets are designed for the transfer and pressure boosting of clean water in waterworks, blocks of flats, hotels, industry, hospitals, schools, etc.</p> <p data-bbox="320 759 1449 813">GRUNDFOS Hydro Multi-E booster set consists of 2 to 4 CRIE pumps coupled in parallel and mounted on a common base frame provided with all the necessary fittings.</p> <p data-bbox="320 844 1449 1003">Hydro Multi-E is mounted on a common base frame made of stainless steel (DIN W.-Nr. 1.4301). On the suction side are fitted a suction manifold (DIN W.-Nr. 1.4401 or DIN W.-Nr. 1.4571) , a pressure switch mounted on a drainable valve and an isolating valve. On the discharge side of the pumps are fitted a non-return valve, an isolating valve, a pressure gauge, two pressure transmitters mounted on a drainable valve a diaphragm tank and a stainless steel discharge manifold (DIN W.-Nr. 1.4401 or DIN W.-Nr. 1.4571).</p> <p data-bbox="320 1016 1086 1043">The Hydro Multi-E is fitted with an on/off-switch for the supply voltage.</p> <p data-bbox="320 1075 1398 1128">The Hydro Multi-E is designed for maintaining a constant pressure regardless of flow changes and fluctuation.</p> <p data-bbox="320 1164 1345 1218">The internal PI-controller regulates the number of running pumps and the speed of the pumps according to the required flow.</p> <p data-bbox="320 1249 1457 1303">The system can be operated directly on the panel of any of the pumps or via Grundfos GO (available as accessory)</p> <p data-bbox="320 1339 979 1608">Besides the system features: 2 Digital outputs 2 Digital inputs (one used for dry run protection) 2 Analogue inputs (one used for discharge pressure sensor) Multi-Master functionality 2 Limit functions Set-point influence function Pipe filling function High efficient PM motors</p> <p data-bbox="320 1637 708 1664">Available communication protocols:</p> <ul data-bbox="320 1668 526 1937" style="list-style-type: none"> •LON •Profibus •Modbus •SMS/GSM/GPRS •GRM •BACnet •BACnet IP •Modbus TCP •PROFINET <p data-bbox="320 1968 1426 1995">When delivered, the GRUNDFOS Hydro Multi-E booster set is factory tested and ready for operation.</p> <p data-bbox="320 2058 405 2085">Liquid:</p> |

| Position | Qty. | Description |
|----------|------|--|
| | | <p>Pumped liquid: Water</p> <p>Liquid temperature range: 5 .. 60 °C</p> <p>Liquid temperature during operation: 20 °C</p> <p>Density: 998.2 kg/m³</p> <p>Materials:</p> <p>Pump housing: Stainless steel</p> <p>Installation:</p> <p>Maximum operating pressure: 16 bar</p> <p>Maximum inlet pressure: PN 16 bar</p> <p>Flange standard: DIN2642</p> <p>Manifold inlet: DN 80</p> <p>Manifold outlet: DN 80</p> <p>Electrical data:</p> <p>IE Efficiency class: IE5</p> <p>Power (P2) main pump: 7.5 kW</p> <p>Mains frequency: 50 Hz</p> <p>Rated voltage: 3 x 380-415 V</p> <p>Rated current: 27 A</p> <p>Start. method: electronically</p> <p>Enclosure class (IEC 34-5): IP54</p> <p>Tank:</p> <p>Volume of pressure tank: 12 l</p> <p>Diaphragm tank: Yes</p> <p>Others:</p> <p>Net weight: 249 kg</p> <p>Gross weight: 305 kg</p> <p>Shipping volume: 1.05 m³</p> <p>Language: GB</p> <p>Country of origin: GB</p> <p>Custom tariff no.: 84137075</p> |

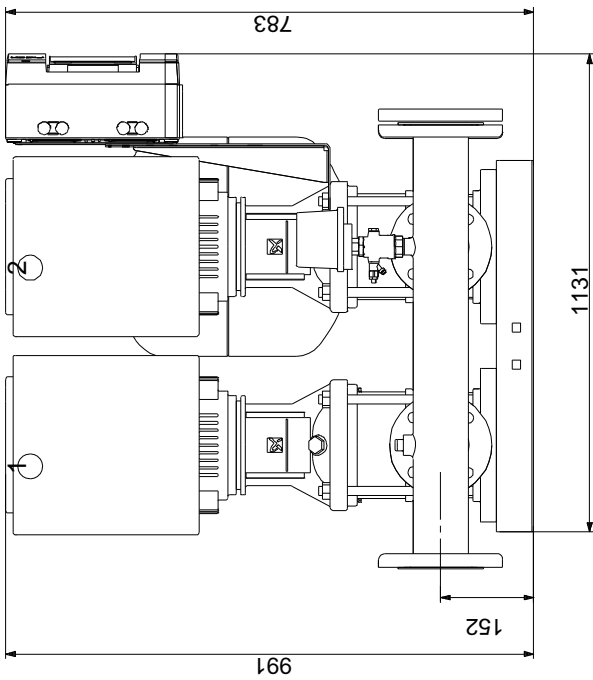
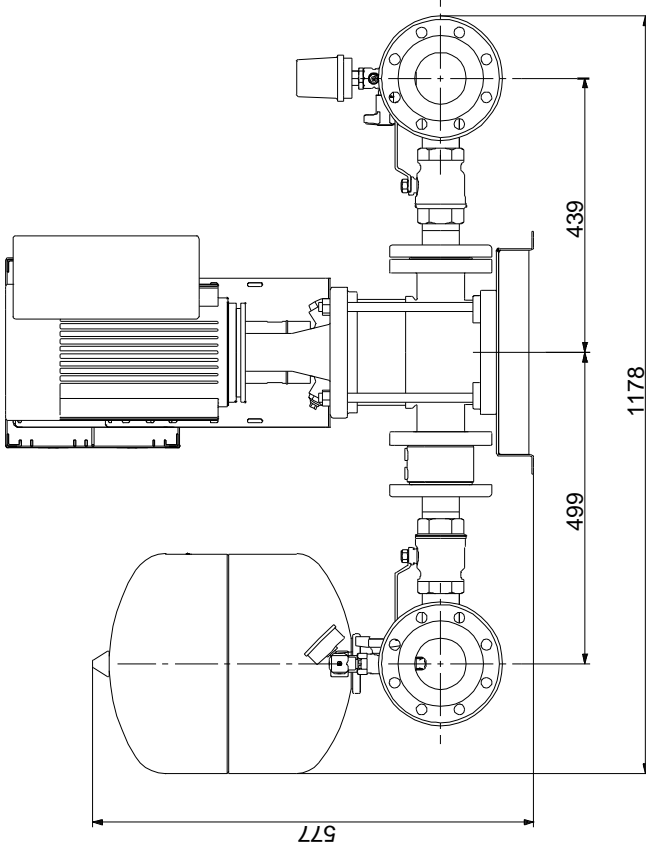
99133601 HYDRO MULTI-E 2 CRIE20-4 50 Hz



| Description | Value |
|--------------------------------------|--------------------------|
| General information: | |
| Product name: | HYDRO MULTI-E 2 CRIE20-4 |
| Product No: | 99133601 |
| EAN number: | 5712607366841 |
| Technical: | |
| Min flow system: | 8.4 m ³ /h |
| Max flow: | 72 m ³ /h |
| Head max: | 85 m |
| Pump name: | CRIE20-4 |
| Number of pumps: | 2 |
| Materials: | |
| Pump housing: | Stainless steel |
| Manifolds: | Stainless steel |
| Installation: | |
| Maximum operating pressure: | 16 bar |
| Maximum inlet pressure: | PN 16 bar |
| Flange standard: | DIN2642 |
| Manifold inlet: | DN 80 |
| Manifold outlet: | DN 80 |
| Liquid: | |
| Pumped liquid: | Water |
| Liquid temperature range: | 5 .. 60 °C |
| Liquid temperature during operation: | 20 °C |
| Density: | 998.2 kg/m ³ |
| Electrical data: | |
| IE Efficiency class: | IE5 |
| Power (P2) main pump: | 7.5 kW |
| Mains frequency: | 50 Hz |
| Rated voltage: | 3 x 380-415 V |
| Rated current: | 27 A |
| Start. method: | electronically |
| Enclosure class (IEC 34-5): | IP54 |
| Tank: | |
| Volume of pressure tank: | 12 l |
| Diaphragm tank: | Yes |
| Others: | |
| Net weight: | 249 kg |
| Gross weight: | 305 kg |
| Shipping volume: | 1.05 m ³ |
| Language: | GB |
| Product range: | International |
| Country of origin: | GB |
| Custom tariff no.: | 84137075 |

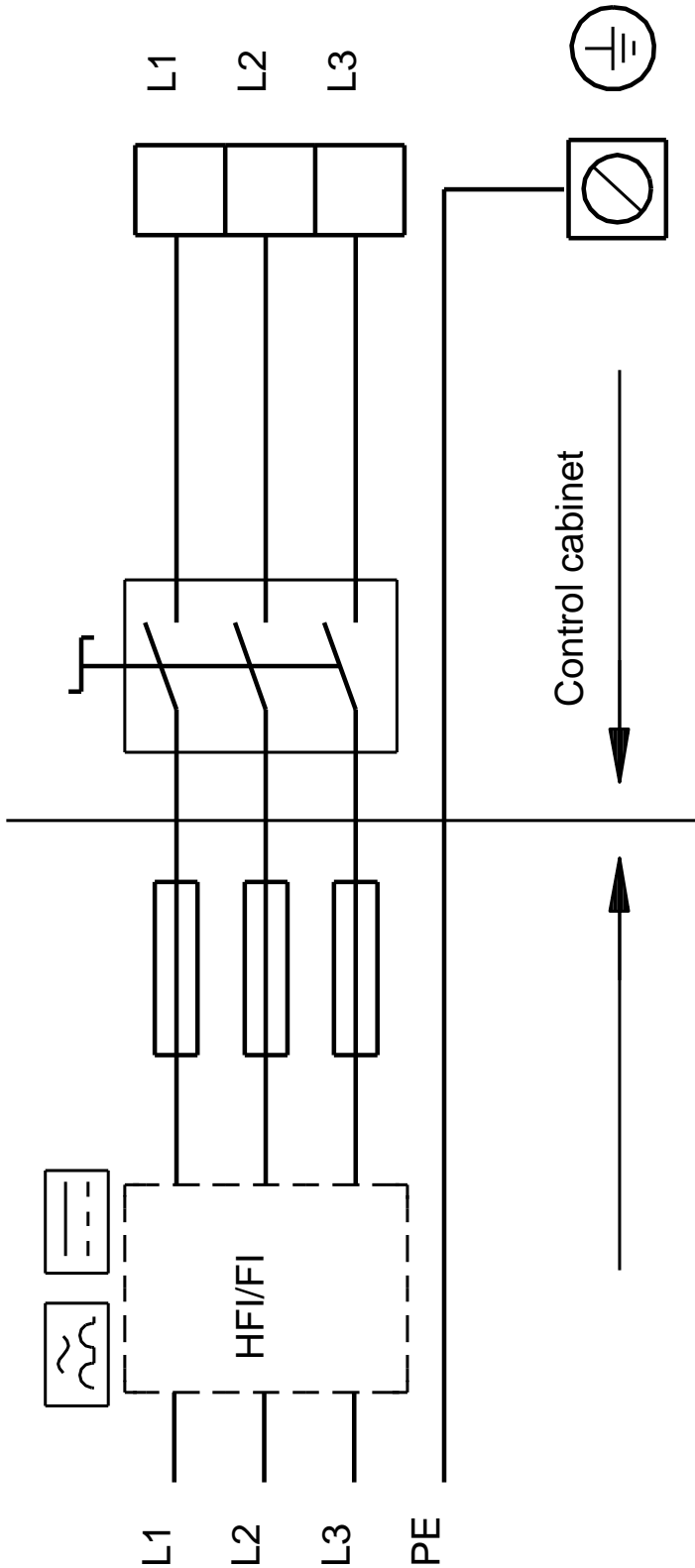


99133601 HYDRO MULTI-E 2 CRIE20-4 50 Hz



Note! All units are in [mm] unless others are stated.
Disclaimer: This simplified dimensional drawing does not show all details.

99133601 HYDRO MULTI-E 2 CRIE20-4 50 Hz



Note! All units are in [mm] unless others are stated.