


Qty.	Description
1	<p data-bbox="204 342 520 365">CRIE 10-6 A-CA-A-E-HQQE</p> <div data-bbox="280 405 491 891" style="text-align: center;">  </div> <p data-bbox="595 887 1075 909" style="text-align: center;">Note! Product picture may differ from actual product</p> <p data-bbox="204 920 467 943">Product No.: 99071463</p> <p data-bbox="204 976 1445 1055">Vertical, multistage centrifugal pump with inlet and outlet ports on same the level (inline). Pump materials in contact with the liquid are in stainless steel. A cartridge shaft seal ensures high reliability, safe handling, and easy access and service. Power transmission is via a rigid split coupling. Pipe connection is via FlexiClamps.</p> <p data-bbox="204 1093 1150 1122">The pump is fitted with a 3-phase, fan-cooled, permanent-magnet, synchronous motor.</p> <p data-bbox="204 1124 1035 1153">The motor efficiency is classified as IE5 in accordance with IEC 60034-30-2.</p> <p data-bbox="204 1155 1458 1279">The motor includes a frequency converter and PI controller in the motor terminal box. This enables continuously variable control of the motor speed, which again enables adaptation of the performance to a given requirement. An operating panel on the motor terminal box enables setting of required setpoint as well as setting of pump to "Min." or "Max." operation or to "Stop". The Grundfos Eye indicator on the operating panel provides visual indication of pump status:</p> <ul data-bbox="240 1294 1417 1435" style="list-style-type: none"> • "Power on": Motor is running (rotating green indicator lights) or not running (permanently green indicator lights) • "Warning": Motor is still running (rotating yellow indicator lights) or has stopped (permanently yellow indicator lights) • "Alarm": Motor has stopped (flashing red indicator lights). <p data-bbox="204 1469 1453 1547">Communication with the pump is possible by means of Grundfos GO Remote (accessory). The remote control enables further settings as well as reading out of a number of parameters such as "Actual value", "Speed", "Power input" and total "Power consumption".</p> <p data-bbox="204 1581 1398 1637">The terminal box has a number of inputs and outputs enabling the motor to be used in advanced applications where many inputs and outputs are required:</p> <ul data-bbox="240 1648 916 1995" style="list-style-type: none"> • two dedicated digital inputs • three analog inputs, 0(4)-20 mA, 0-5 V, 0-10 V, 0.5 - 3.5 V • 5 V voltage supply to potentiometer and sensor • one analog output, 0-10 V, 0(4)-20 mA • two configurable digital inputs or open-collector outputs • two Pt100/Pt1000 inputs • LiqTec, dry-running protection sensor input • Grundfos Digital Sensor input and output • 24 V voltage supply for sensors • two signal-relay outputs (potential-free contacts) • GENIbus connection • interface for Grundfos CIM fieldbus module. <p data-bbox="204 2029 643 2085">Controls: Frequency converter: Built-in</p>

Qty.	Description
	<p>Pressure sensor: N</p> <p>Liquid: Pumped liquid: Water Liquid temperature range: -20 .. 120 °C Liquid temperature during operation: 20 °C Density: 998.2 kg/m³</p> <p>Technical: Pump speed on which pump data are based: 3514 rpm Rated flow: 12.1 m³/h Rated head: 71.1 m Pump orientation: Vertical Shaft seal arrangement: Single Code for shaft seal: HQQE Approvals on nameplate: CE, EAC, ACS Curve tolerance: ISO9906:2012 3B</p> <p>Materials: Base: Stainless steel EN 1.4408 AISI 316 Impeller: Stainless steel EN 1.4301 AISI 304 Bearing: SIC</p> <p>Installation: Maximum ambient temperature: 50 °C Maximum operating pressure: 16 bar Max pressure at stated temp: 16 bar / 120 °C 16 bar / -20 °C Type of connection: FlexiClamp Size of inlet connection: DN 50 2 inch Size of outlet connection: DN 50 2 inch Pressure rating for pipe connection: PN 25 Flange size for motor: FT130</p> <p>Electrical data: Motor standard: IEC Motor type: 112MC IE Efficiency class: IE5 Rated power - P2: 4 kW Power (P2) required by pump: 4 kW Mains frequency: 50 Hz Rated voltage: 3 x 380-500 V Rated current: 7.60-6.20 A Cos phi - power factor: 0.92-0.87 Rated speed: 360-4000 rpm Efficiency: 92.2% Motor efficiency at full load: 92.2 % Enclosure class (IEC 34-5): IP55 Insulation class (IEC 85): F</p> <p>Others: Minimum efficiency index, MEI $\hat{\alpha}\%$: 0.70 Net weight: 57 kg</p>



Company name:

Created by:

Phone:

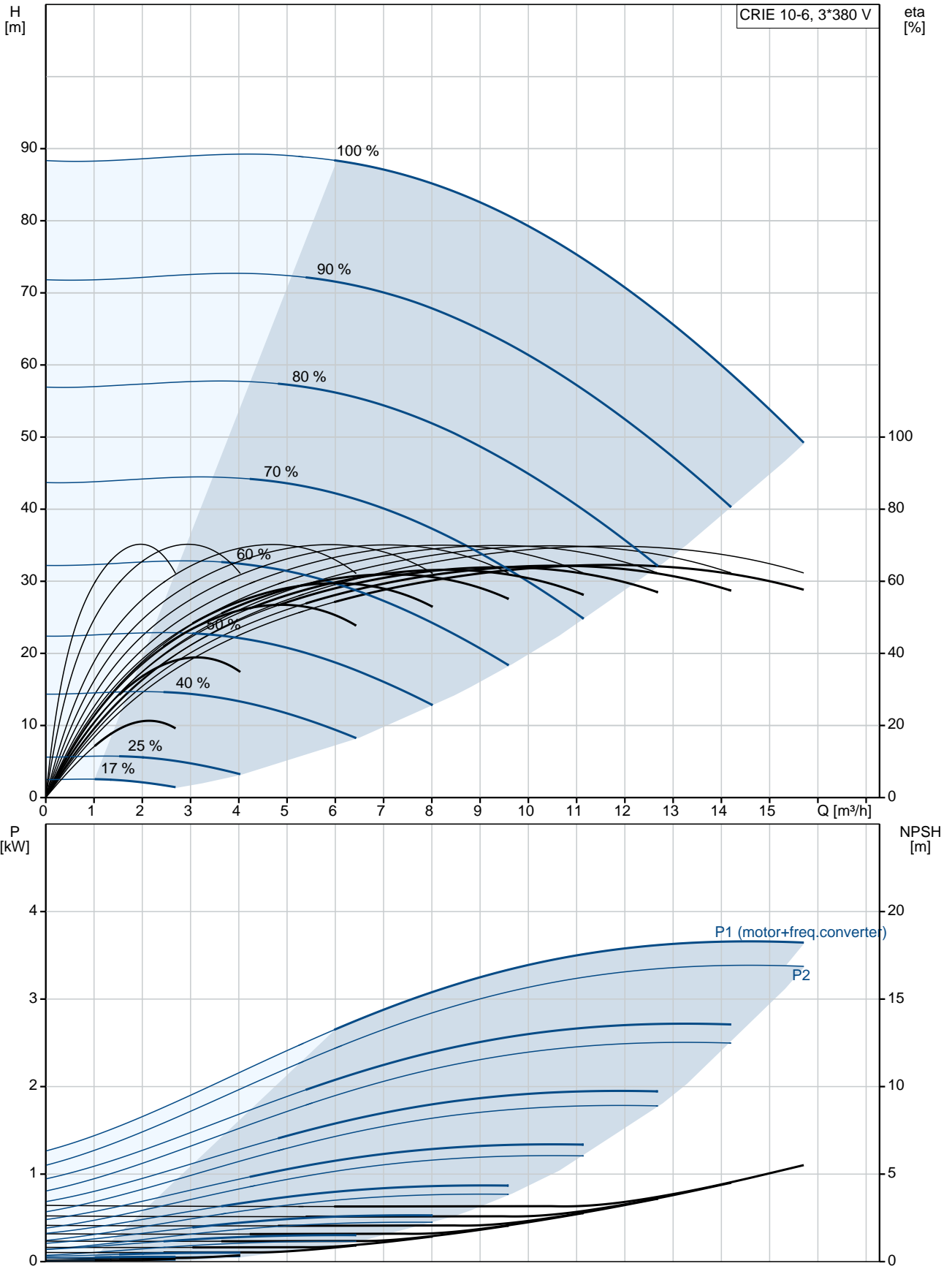
Date:

19/03/2019

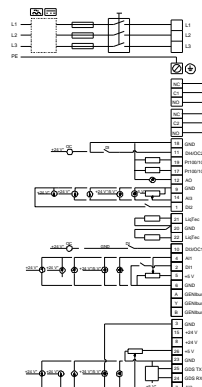
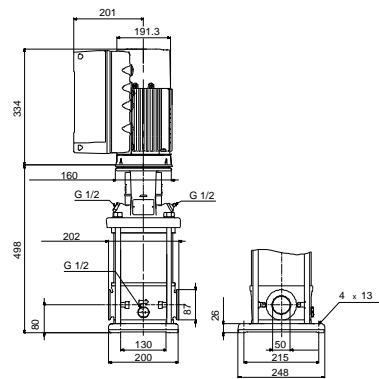
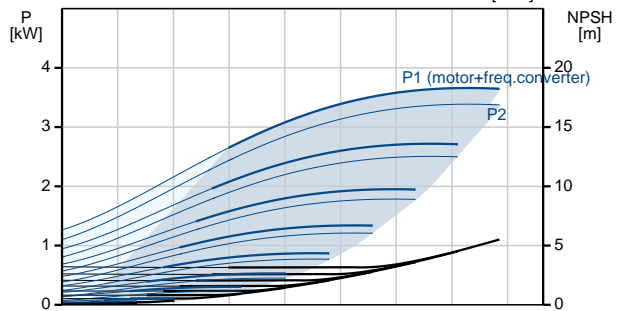
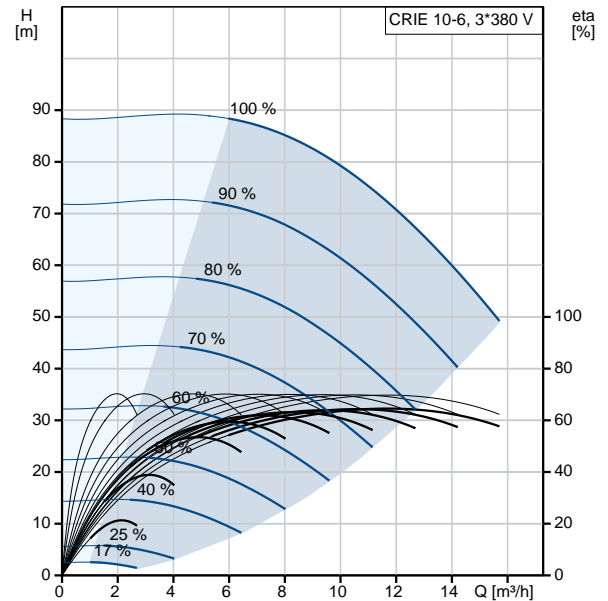
Qty.	Description
------	-------------

	Gross weight: 79 kg
	Shipping volume: 0.234 m ³
	Country of origin: GB
	Custom tariff no.: 84137075

99071463 CRIE 10-6 A-CA-A-E-HQQE 50 Hz



Description	Value
General information:	
Product name:	CRIE 10-6 A-CA-A-E-HQQE
Product No:	99071463
EAN number:	5712606191857
Price:	3.635,00 GBP
Technical:	
Pump speed on which pump data are based:	3514 rpm
Rated flow:	12.1 m ³ /h
Rated head:	71.1 m
Head max:	88.8 m
Stages:	6
Impellers:	6
Number of reduced-diameter impellers:	0
Low NPSH:	N
Pump orientation:	Vertical
Shaft seal arrangement:	Single
Code for shaft seal:	HQQE
Approvals on nameplate:	CE, EAC, ACS
Curve tolerance:	ISO9906:2012 3B
Pump version:	A
Model:	A
Materials:	
Base:	Stainless steel EN 1.4408 AISI 316
Impeller:	Stainless steel EN 1.4301 AISI 304
Material code:	A
Code for rubber:	E
Bearing:	SIC
Installation:	
Maximum ambient temperature:	50 °C
Maximum operating pressure:	16 bar
Max pressure at stated temp:	16 bar / 120 °C 16 bar / -20 °C
Type of connection:	FlexiClamp
Size of inlet connection:	DN 50 2 inch
Size of outlet connection:	DN 50 2 inch
Pressure rating for pipe connection:	PN 25
Flange size for motor:	FT130
Connect code:	CA
Liquid:	
Pumped liquid:	Water
Liquid temperature range:	-20 .. 120 °C
Liquid temperature during operation:	20 °C
Density:	998.2 kg/m ³
Electrical data:	
Motor standard:	IEC
Motor type:	112MC
IE Efficiency class:	IE5
Rated power - P2:	4 kW
Power (P2) required by pump:	4 kW
Mains frequency:	50 Hz
Rated voltage:	3 x 380-500 V





Company name:

Created by:

Phone:

Date:

19/03/2019

Description	Value
Rated current:	7.60-6.20 A
Cos phi - power factor:	0.92-0.87
Rated speed:	360-4000 rpm
Efficiency:	92.2%
Motor efficiency at full load:	92.2 %
Enclosure class (IEC 34-5):	IP55
Insulation class (IEC 85):	F
Motor protec:	YES
Motor No:	98971050
Controls:	
Control panel:	Standard
Function Module:	FM300 - Advanced
Frequency converter:	Built-in
Pressure sensor:	N
Others:	
Minimum efficiency index, MEI %:	0.70
Net weight:	57 kg
Gross weight:	79 kg
Shipping volume:	0.234 m ³
Country of origin:	GB
Custom tariff no.:	84137075

99071463 CRIE 10-6 A-CA-A-E-HQQE 50 Hz

