


| Position | Qty. | Description  |
|----------|------|--|
|          | 1    | <p><b>CM3-11 A-R-G-E-AQQE</b></p>  <p>Product No.: <a href="#">98979407</a></p> <p>Compact, reliable, horizontal, multistage, end-suction centrifugal pump with axial suction port and radial discharge port. Pump materials in contact with the liquid are in high-grade stainless steel. The mechanical shaft seal is a special designed, unbalanced O-ring seal. Pipework connection is via internal Whitworth pipe threads, Rp (ISO 7/1).</p> <p>The pump is fitted with a 3-phase, foot-mounted, fan-cooled asynchronous motor.</p> <p><b>Liquid:</b><br/> Pumped liquid: Water<br/> Liquid temperature range: -20 .. 90 °C<br/> Liquid temperature during operation: 20 °C<br/> Density: 998.2 kg/m<sup>3</sup></p> <p><b>Technical:</b><br/> Rated flow: 3.1 m<sup>3</sup>/h<br/> Rated head: 76.9 m<br/> Primary shaft seal: AQQE<br/> Approvals on nameplate: CE,WRAS,ACS,TR,EAC<br/> Curve tolerance: ISO9906:2012 3B</p> <p><b>Materials:</b><br/> Pump housing: Stainless steel<br/> DIN W.-Nr. 1.4401<br/> AISI 316<br/> Impeller: Stainless steel<br/> DIN W.-Nr. 1.4401<br/> AISI 316<br/> Rubber: EPDM</p> <p><b>Installation:</b><br/> Maximum ambient temperature: 55 °C<br/> Maximum operating pressure: 16 bar<br/> Max pressure at stated temp: 16 bar / 90 °C<br/> Flange standard: WHITWORTH THREAD RP<br/> Pump inlet: Rp 1<br/> Pump outlet: Rp 1</p> <p><b>Electrical data:</b><br/> Motor type: 90SB<br/> IE Efficiency class: IE3<br/> Rated power - P2: 1.5 kW<br/> Mains frequency: 50 Hz<br/> Rated voltage: 3 x 220-240D/380-415Y V<br/> Service factor: 1<br/> Rated current: 5,45-5,45/3,15-3,15 A<br/> Starting current: 850-930 %</p> |



Company name:

Created by:

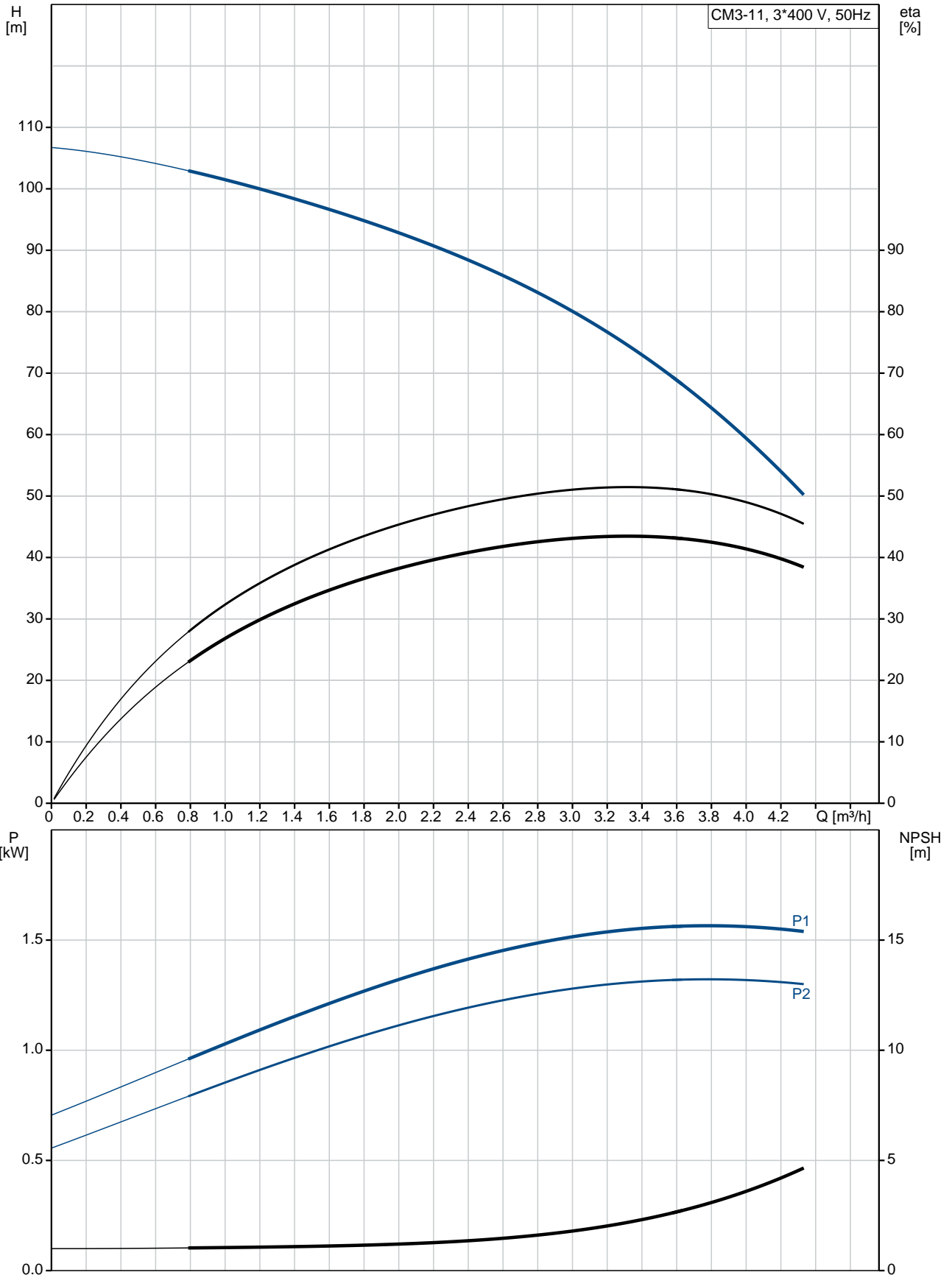
Phone:

Date:

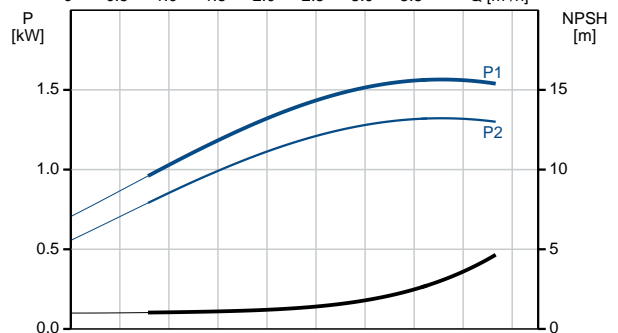
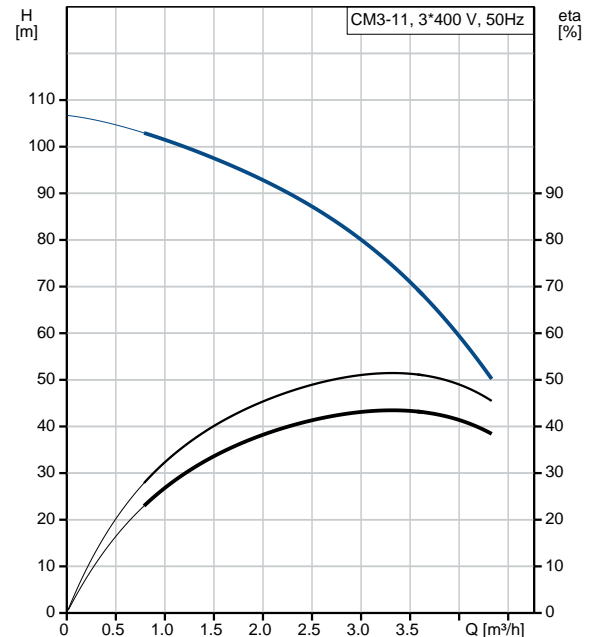
08/10/2018

| Position | Qty. | Description  |
|----------|------|--|
|          |      | Rated speed: 2890-2910 rpm<br>Motor efficiency at full load: 84.2 %<br>Enclosure class (IEC 34-5): IP55<br>Insulation class (IEC 85): F<br><br><b>Others:</b><br>Minimum efficiency index, MEI : 0.7<br>Net weight: 26.1 kg<br>Gross weight: 28.6 kg<br>Country of origin: HU<br>Custom tariff no.: 84137075 |

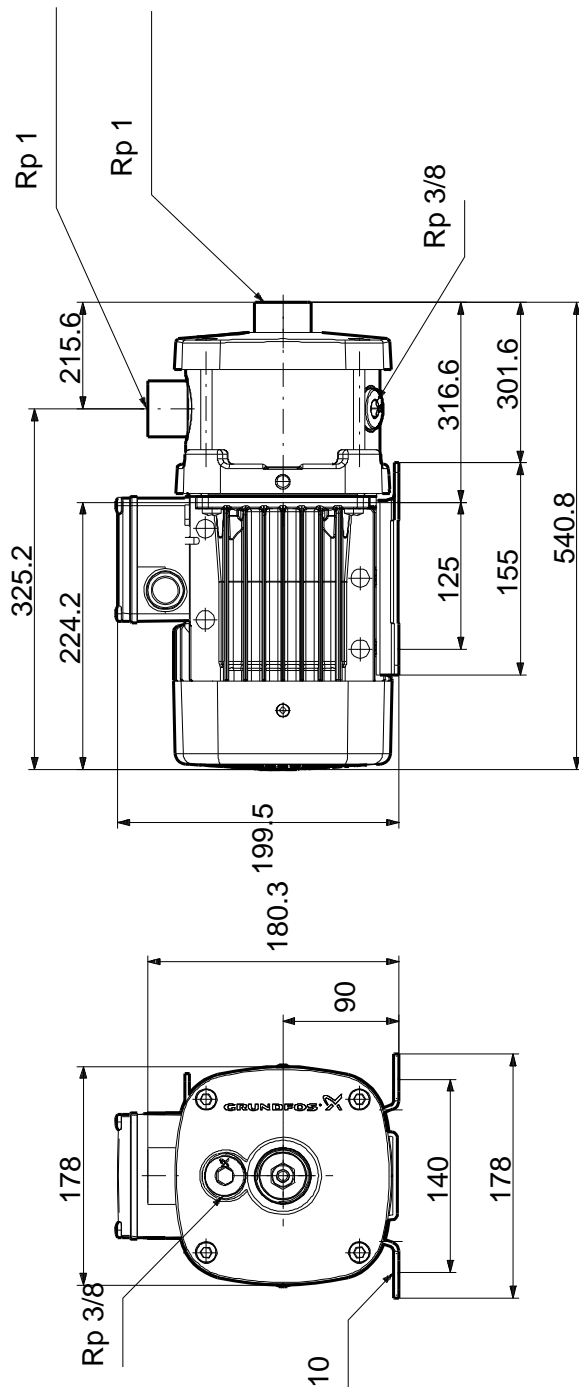
## 98979407 CM3-11 A-R-G-E-AQQE 50 Hz



| Description                          | Value  |
|--------------------------------------|--|
| <b>General information:</b>          |  |
| Product name:                        | CM3-11 A-R-G-E-AQQE                              |
| Product No:                          | 98979407   |
| EAN number:                          | 5712604611579                                    |
| Price:                               | 1.200,00 GBP                                     |
| <b>Technical:</b>                    |  |
| Rated flow:                          | 3.1 m <sup>3</sup> /h                            |
| Rated head:                          | 76.9 m   |
| Impellers:                           | 11   |
| Primary shaft seal:                  | AQQE   |
| Approvals on nameplate:              | CE,WRAS,ACS,TR,EAC                               |
| Curve tolerance:                     | ISO9906:2012 3B                                  |
| Pump version:                        | A  |
| Model:                               | A  |
| <b>Materials:</b>                    |  |
| Pump housing:                        | Stainless steel<br>DIN W.-Nr. 1.4401<br>AISI 316 |
| Impeller:                            | Stainless steel<br>DIN W.-Nr. 1.4401<br>AISI 316 |
| Material code:                       | G  |
| Rubber:                              | EPDM   |
| Code for rubber:                     | E  |
| <b>Installation:</b>                 |  |
| Maximum ambient temperature:         | 55 °C  |
| Maximum operating pressure:          | 16 bar   |
| Max pressure at stated temp:         | 16 bar / 90 °C                                   |
| Flange standard:                     | WHITWORTH THREAD RP                              |
| Pump inlet:                          | Rp 1   |
| Pump outlet:                         | Rp 1   |
| Connect code:                        | R  |
| <b>Liquid:</b>                       |  |
| Pumped liquid:                       | Water  |
| Liquid temperature range:            | -20 .. 90 °C                                     |
| Liquid temperature during operation: | 20 °C  |
| Density:                             | 998.2 kg/m <sup>3</sup>                          |
| <b>Electrical data:</b>              |  |
| Motor type:                          | 90SB   |
| IE Efficiency class:                 | IE3  |
| Rated power - P2:                    | 1.5 kW   |
| Mains frequency:                     | 50 Hz  |
| Rated voltage:                       | 3 x 220-240D/380-415Y V                          |
| Service factor:                      | 1  |
| Rated current:                       | 5,45-5,45/3,15-3,15 A                            |
| Starting current:                    | 850-930 %  |
| Rated speed:                         | 2890-2910 rpm                                    |
| Motor efficiency at full load:       | 84.2 %   |
| Enclosure class (IEC 34-5):          | IP55   |
| Insulation class (IEC 85):           | F  |
| Motor protec:                        | NO   |
| <b>Others:</b>                       |  |
| Minimum efficiency index, MEI :      | 0.7  |
| Net weight:                          | 26.1 kg  |
| Gross weight:                        | 28.6 kg  |
| Country of origin:                   | HU   |
| Custom tariff no.:                   | 84137075   |

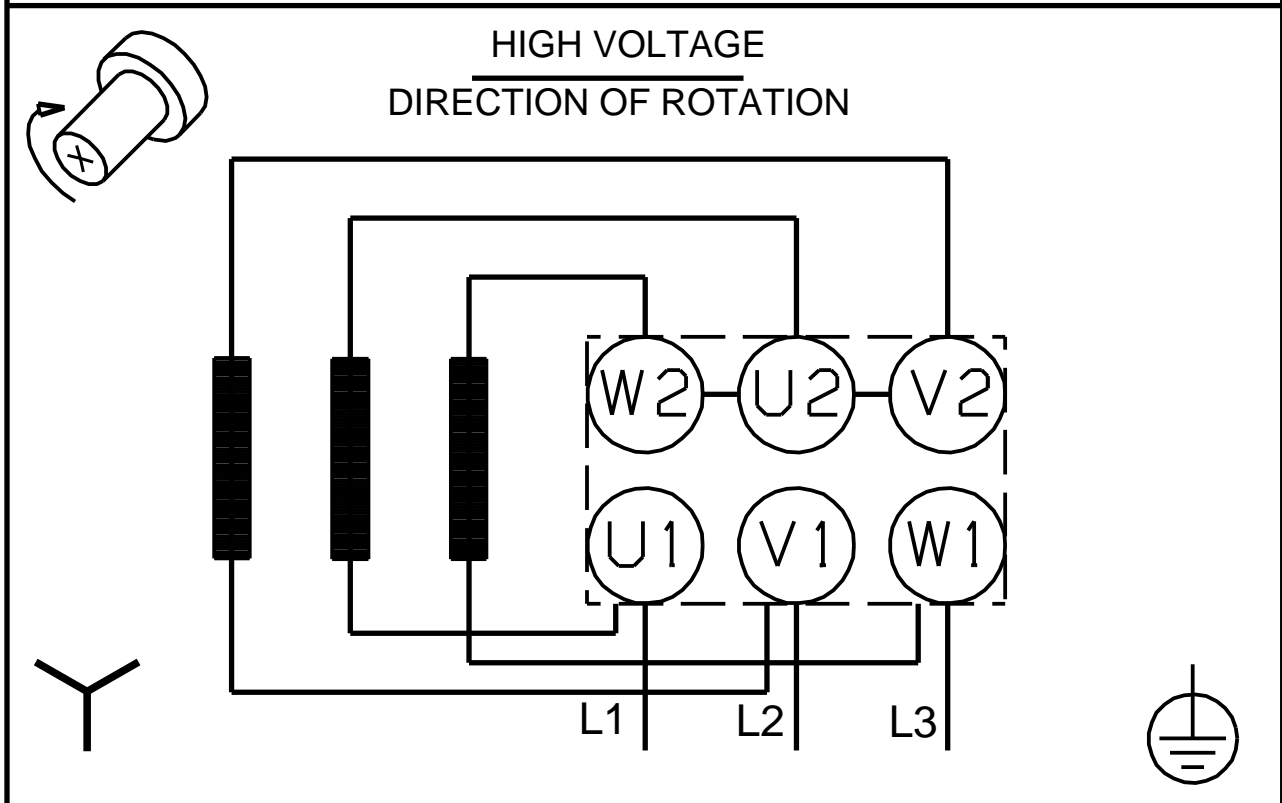
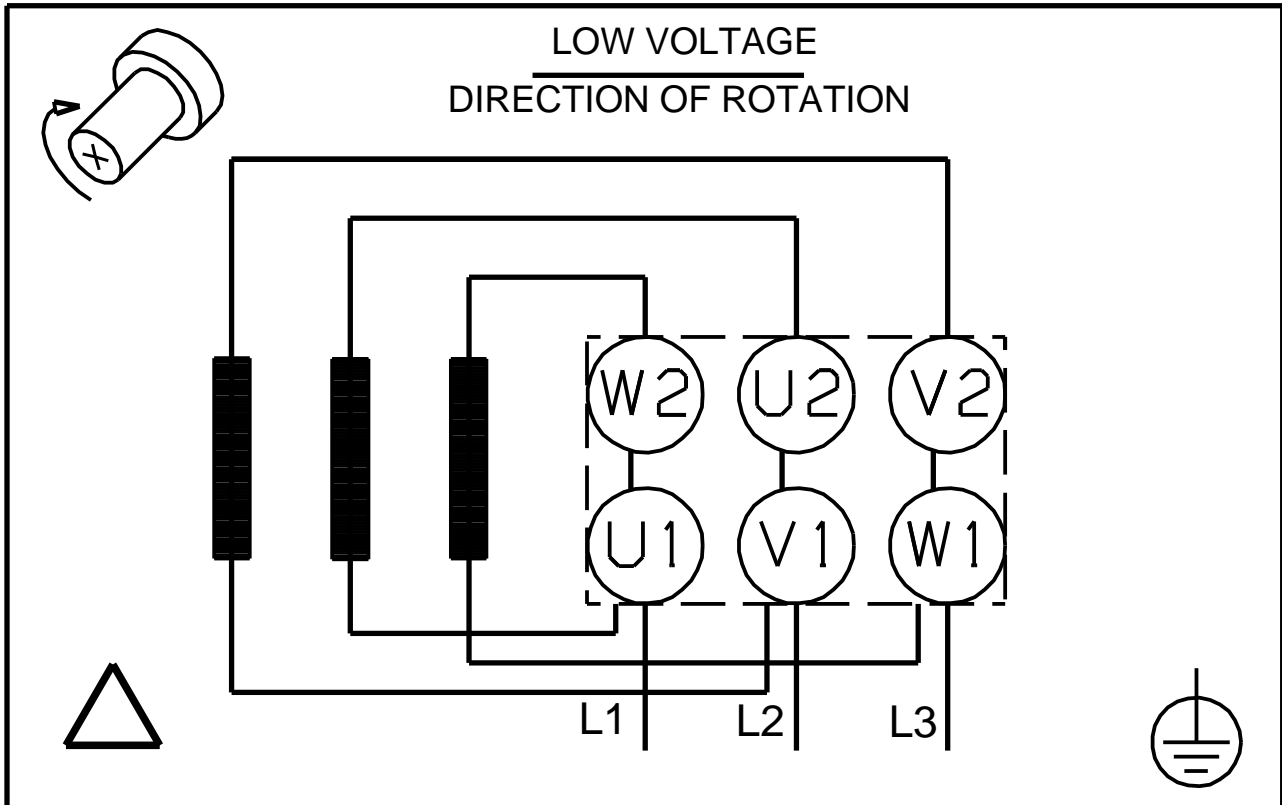


## 98979407 CM3-11 A-R-G-E-AQQE 50 Hz



Note! All units are in [mm] unless others are stated.  
Disclaimer: This simplified dimensional drawing does not show all details.

## 98979407 CM3-11 A-R-G-E-AQQE 50 Hz



Note! All units are in [mm] unless others are stated.