


Position	Qty.	Description
	1	<p><b>CM1-12 A-R-G-E-AQQE</b></p>  <p>Product No.: <a href="#">98979317</a></p> <p>Compact, reliable, horizontal, multistage, end-suction centrifugal pump with axial suction port and radial discharge port. Pump materials in contact with the liquid are in high-grade stainless steel. The mechanical shaft seal is a special designed, unbalanced O-ring seal. Pipework connection is via internal Whitworth pipe threads, Rp (ISO 7/1).</p> <p>The pump is fitted with a 3-phase, foot-mounted, fan-cooled asynchronous motor.</p> <p><b>Liquid:</b>  Pumped liquid: Water  Liquid temperature range: -20 .. 90 °C  Liquid temperature during operation: 20 °C  Density: 998.2 kg/m<sup>3</sup></p> <p><b>Technical:</b>  Rated flow: 1.7 m<sup>3</sup>/h  Rated head: 72.4 m  Primary shaft seal: AQQE  Approvals on nameplate: CE,WRAS,ACS,TR,EAC  Curve tolerance: ISO9906:2012 3B</p> <p><b>Materials:</b>  Pump housing: Stainless steel  DIN W.-Nr. 1.4401  AISI 316  Impeller: Stainless steel  DIN W.-Nr. 1.4401  AISI 316  Rubber: EPDM</p> <p><b>Installation:</b>  Maximum ambient temperature: 55 °C  Maximum operating pressure: 16 bar  Max pressure at stated temp: 16 bar / 90 °C  Flange standard: WHITWORTH THREAD RP  Pump inlet: Rp 1  Pump outlet: Rp 1</p> <p><b>Electrical data:</b>  Motor type: 80C  IE Efficiency class: IE3  Rated power - P2: 1.1 kW  Mains frequency: 50 Hz  Rated voltage: 3 x 220-240D/380-415Y V  Service factor: 1  Rated current: 4,4-4,5/2,55-2,6 A  Starting current: 720-780 %</p>



Company name:

Created by:

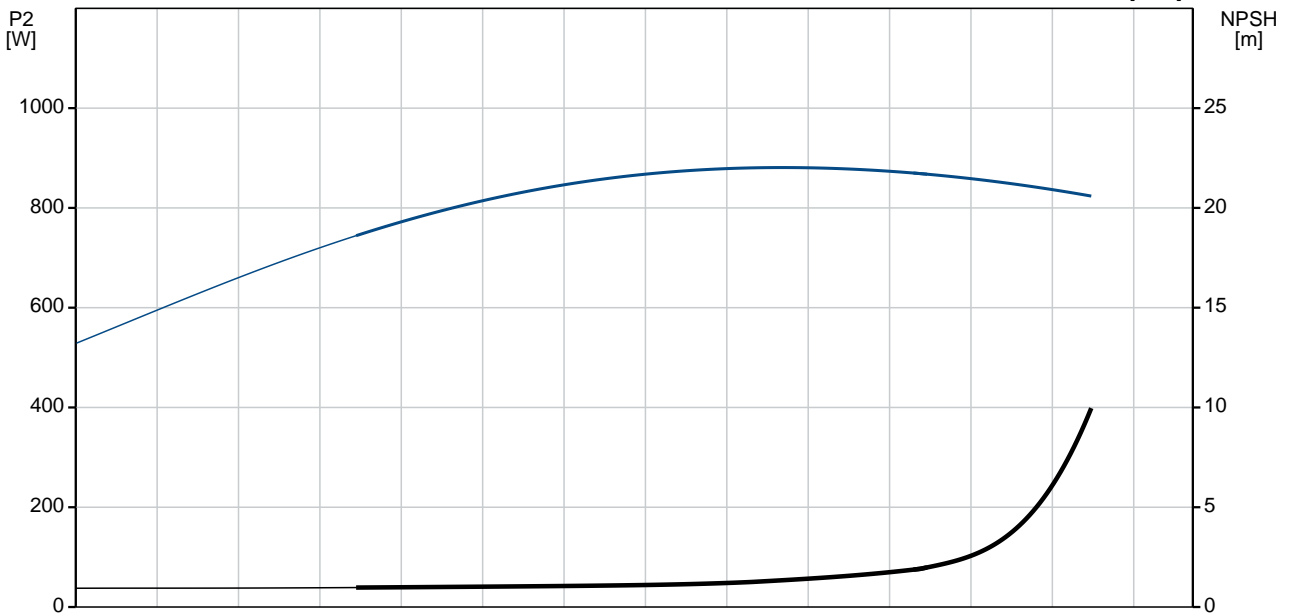
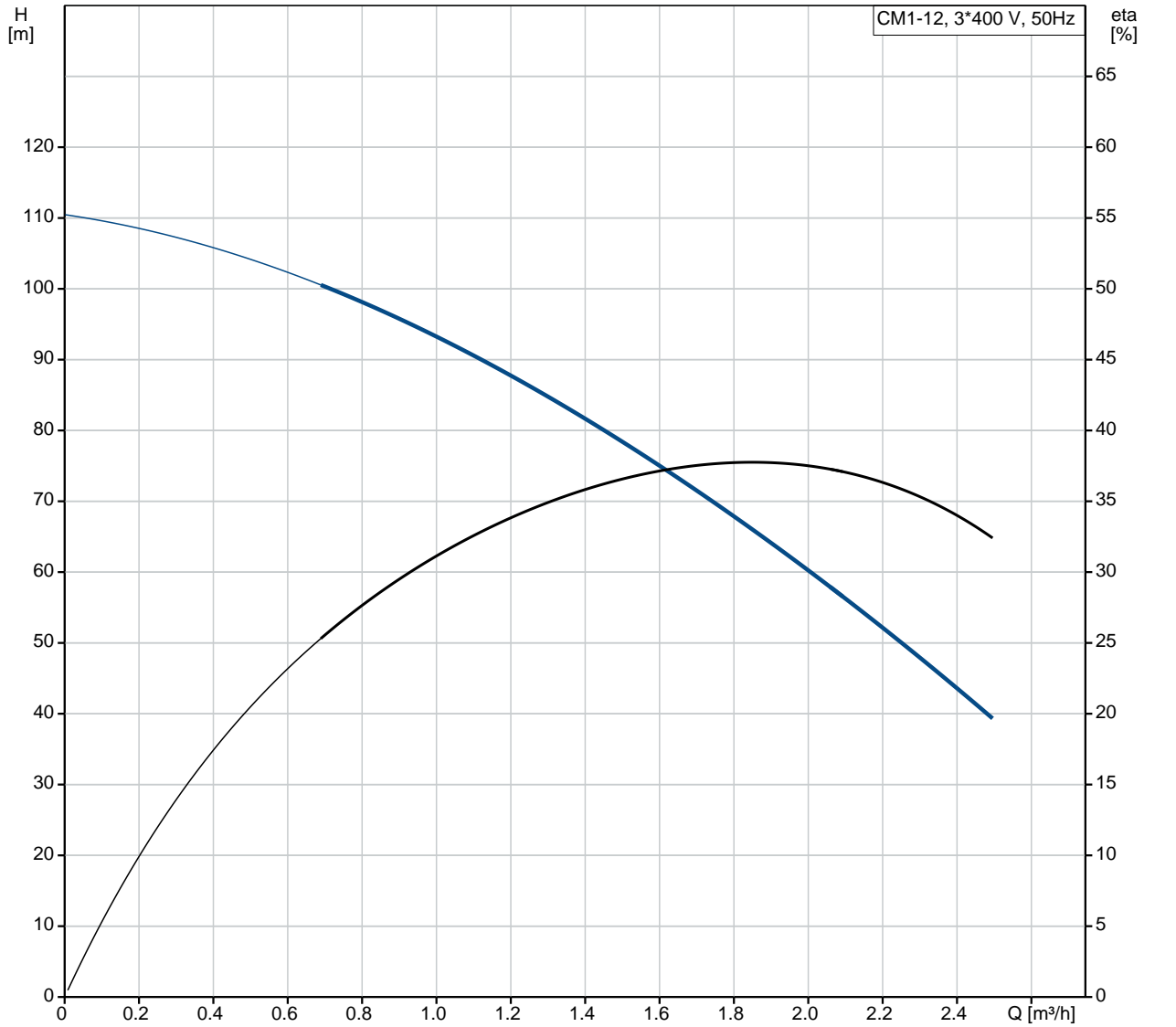
Phone:

Date:

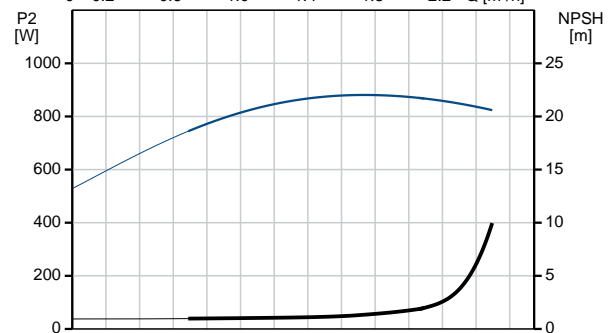
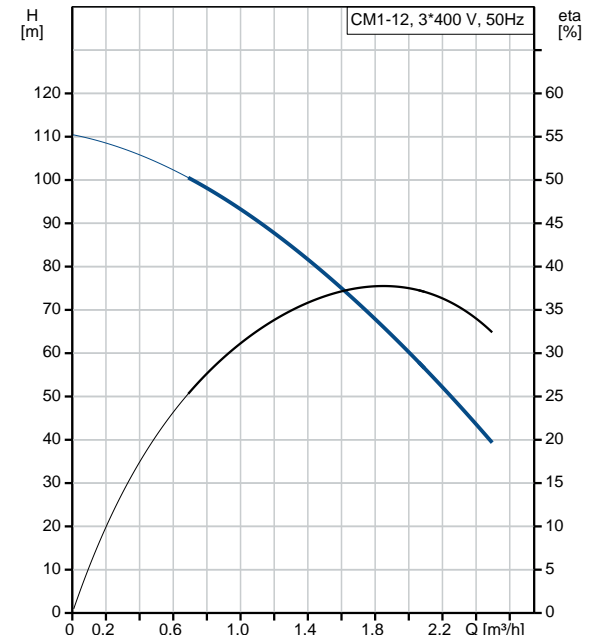
08/10/2018

Position	Qty.	Description
		Rated speed: 2830-2860 rpm Motor efficiency at full load: 83.1 % Enclosure class (IEC 34-5): IP55 Insulation class (IEC 85): F  <b>Others:</b> Minimum efficiency index, MEI : 0.68 Net weight: 19.5 kg Gross weight: 22 kg Country of origin: HU Custom tariff no.: 84137075

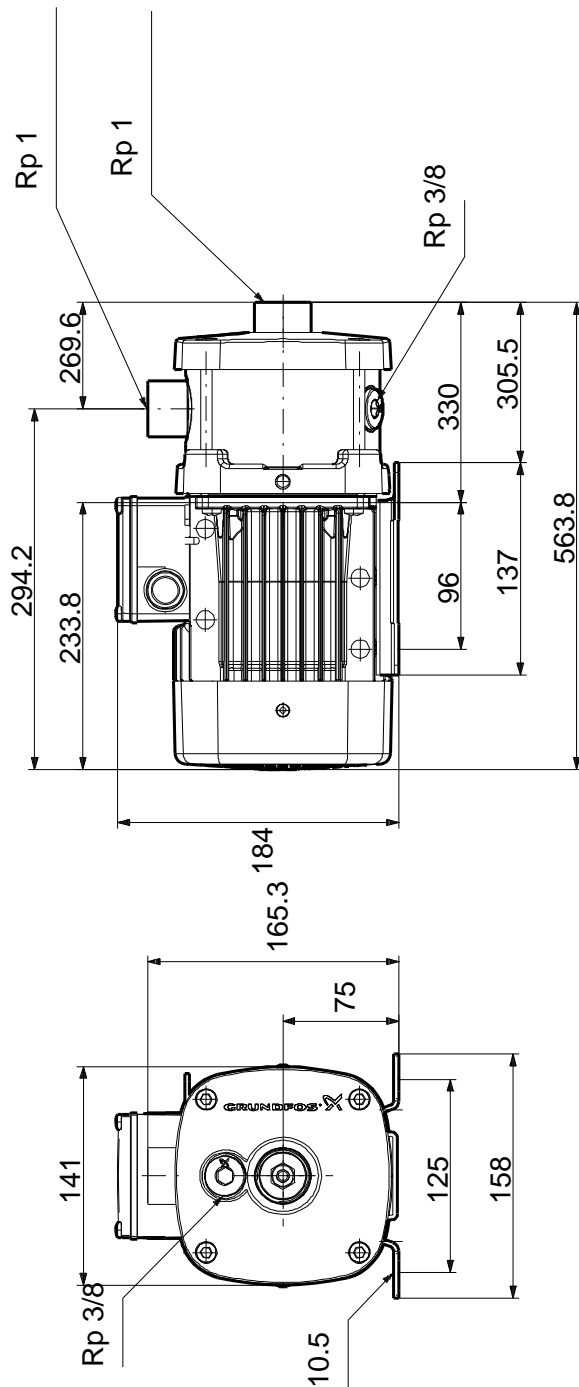
## 98979317 CM1-12 A-R-G-E-AQQE 50 Hz



Description	Value
<b>General information:</b>	
Product name:	CM1-12 A-R-G-E-AQQE
Product No:	<a href="#">98979317</a>
EAN number:	5712604609828
Price:	1.028,00 GBP
<b>Technical:</b>	
Rated flow:	1.7 m³/h
Rated head:	72.4 m
Impellers:	12
Primary shaft seal:	AQQE
Approvals on nameplate:	CE,WRAS,ACS,TR,EAC
Curve tolerance:	ISO9906:2012 3B
Pump version:	A
Model:	A
<b>Materials:</b>	
Pump housing:	Stainless steel DIN W.-Nr. 1.4401 AISI 316
Impeller:	Stainless steel DIN W.-Nr. 1.4401 AISI 316
Material code:	G
Rubber:	EPDM
Code for rubber:	E
<b>Installation:</b>	
Maximum ambient temperature:	55 °C
Maximum operating pressure:	16 bar
Max pressure at stated temp:	16 bar / 90 °C
Flange standard:	WHITWORTH THREAD RP
Pump inlet:	Rp 1
Pump outlet:	Rp 1
Connect code:	R
<b>Liquid:</b>	
Pumped liquid:	Water
Liquid temperature range:	-20 .. 90 °C
Liquid temperature during operation:	20 °C
Density:	998.2 kg/m³
<b>Electrical data:</b>	
Motor type:	80C
IE Efficiency class:	IE3
Rated power - P2:	1.1 kW
Mains frequency:	50 Hz
Rated voltage:	3 x 220-240D/380-415Y V
Service factor:	1
Rated current:	4,4-4,5/2,55-2,6 A
Starting current:	720-780 %
Rated speed:	2830-2860 rpm
Motor efficiency at full load:	83.1 %
Enclosure class (IEC 34-5):	IP55
Insulation class (IEC 85):	F
Motor protec:	NO
<b>Others:</b>	
Minimum efficiency index, MEI :	0.68
Net weight:	19.5 kg
Gross weight:	22 kg
Country of origin:	HU
Custom tariff no.:	84137075

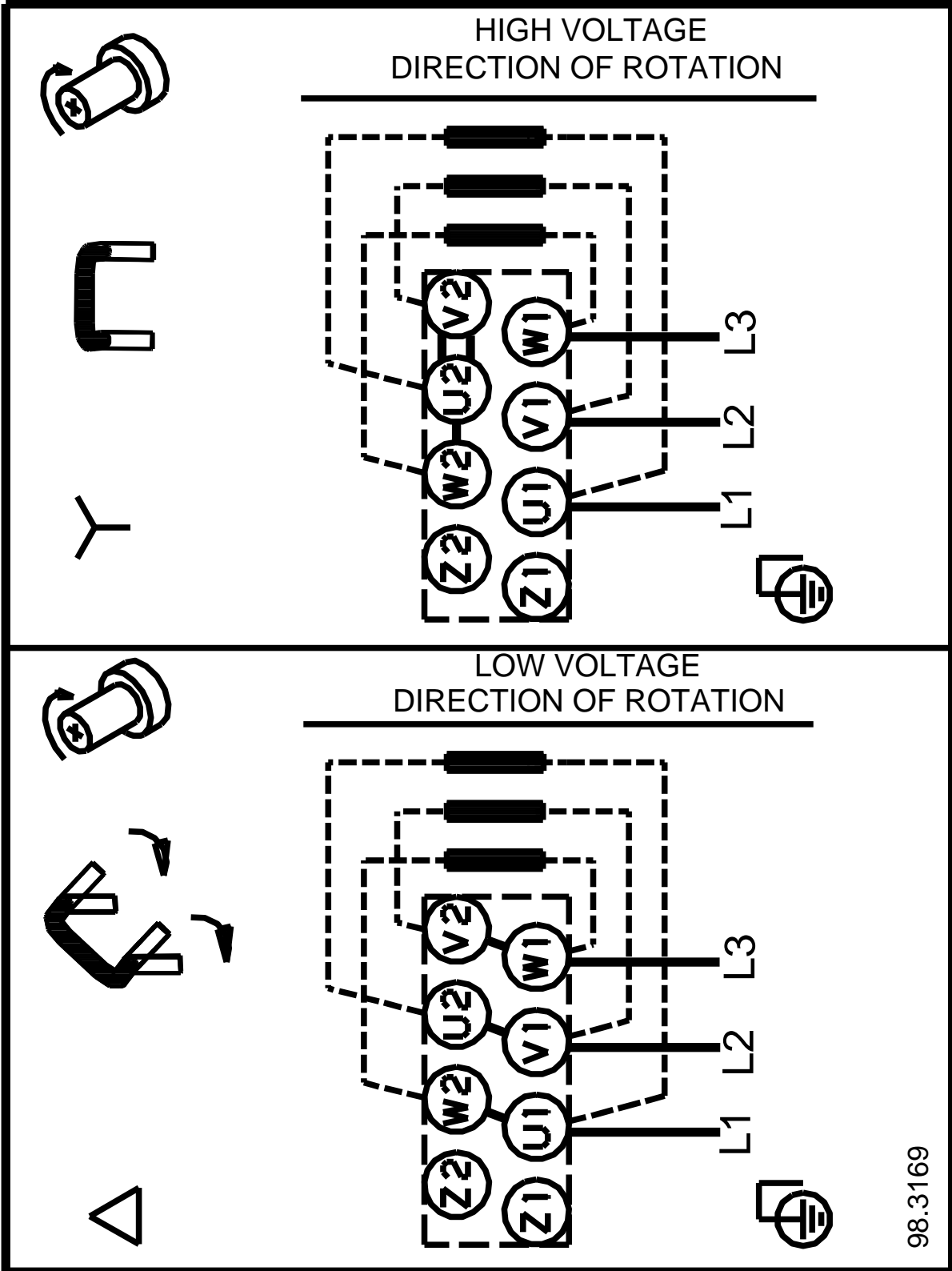


**98979317 CM1-12 A-R-G-E-AQQE 50 Hz**



Note! All units are in [mm] unless others are stated.  
Disclaimer: This simplified dimensional drawing does not show all details.

**98979317 CM1-12 A-R-G-E-AQQE 50 Hz**



98.3169

Note! All units are in [mm] unless others are stated.