
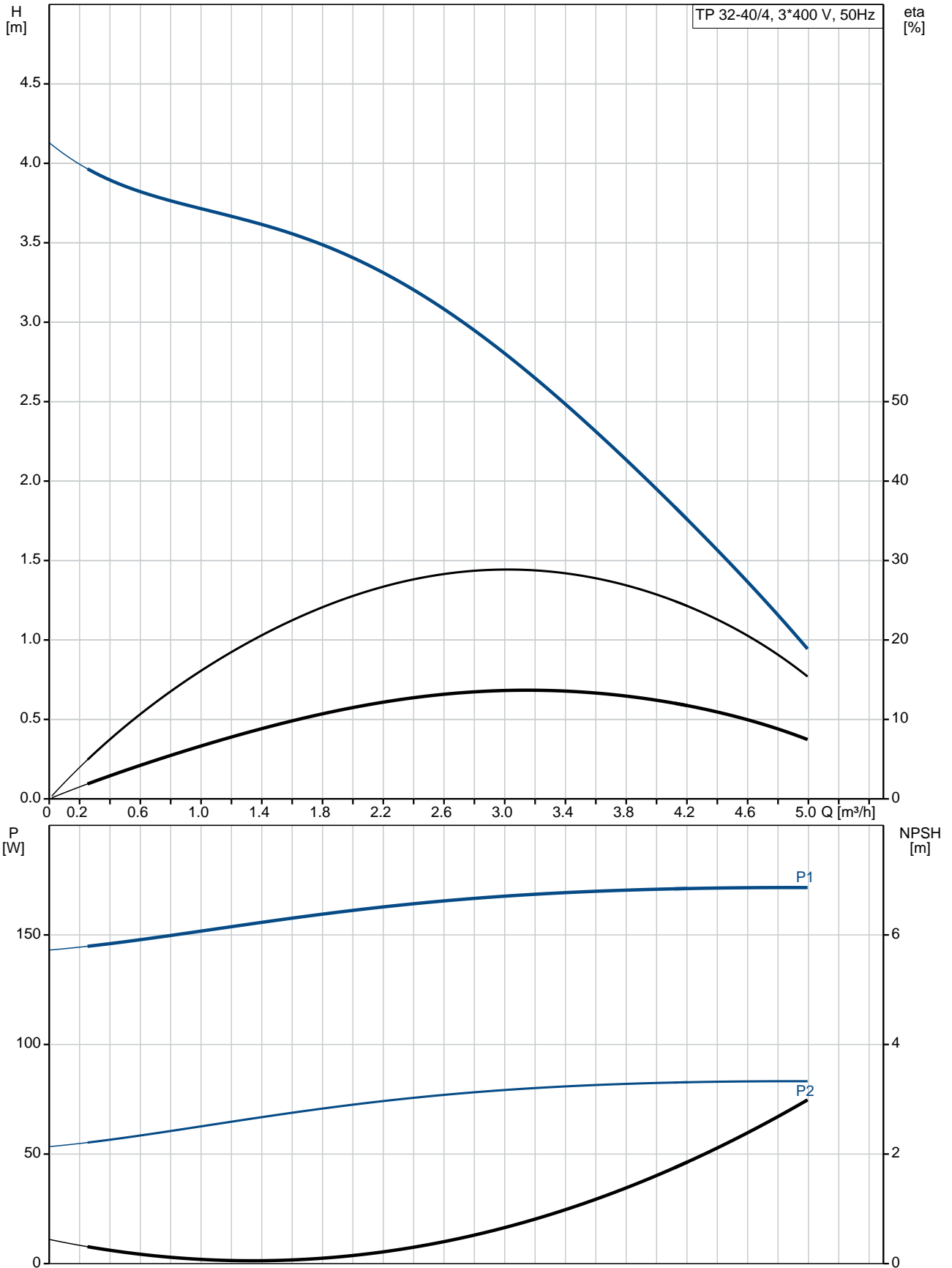


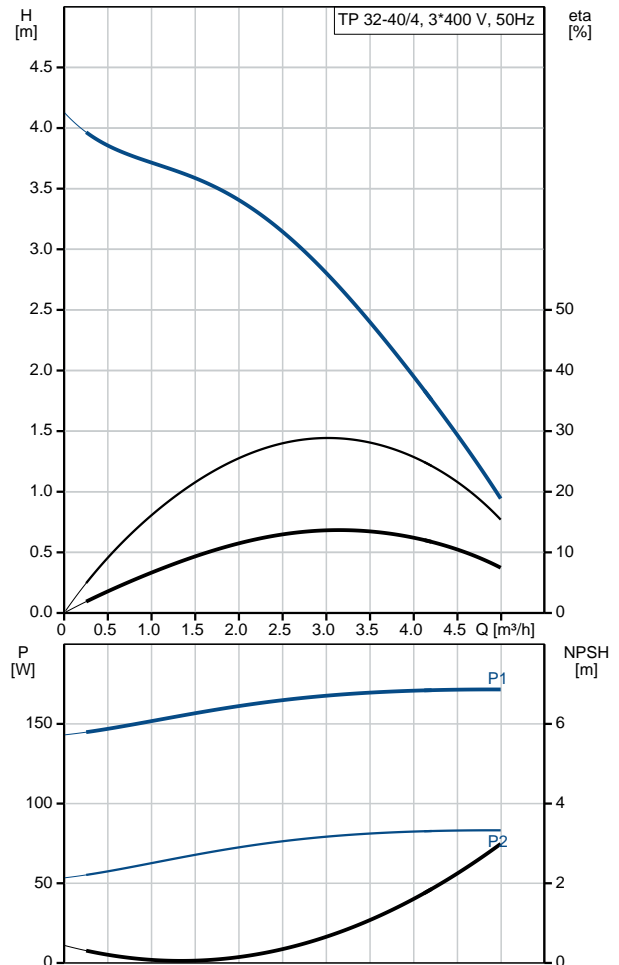
| Position | Qty. | Description  |
|----------|------|--|
|          | 1    | <p><b>TP 32-40/4 A-F-A-BQQE</b></p>  <p>Product No.: <a href="#">98958179</a></p> <p>Single-stage, close-coupled, volute pump with in-line suction and discharge ports of identical diameter. The pump is of the top-pull-out design, i.e. the power head (motor, pump head and impeller) can be removed for maintenance or service while the pump housing remains in the pipework.</p> <p>The pump is fitted with an unbalanced rubber bellows seal. The shaft seal is according to EN 12756. Pipework connection is via PN 6/10 DIN flanges (EN 1092-2 and ISO 7005-2).</p> <p>The pump is fitted with a fan-cooled asynchronous motor.</p> <p><b>Liquid:</b><br/> Pumped liquid: Water<br/> Liquid temperature range: -25 .. 120 °C<br/> Liquid temperature during operation: 20 °C<br/> Density: 998.2 kg/m<sup>3</sup></p> <p><b>Technical:</b><br/> Speed for pump data: 1370 rpm<br/> Rated flow: 3.41 m<sup>3</sup>/h<br/> Rated head: 2.94 m<br/> Actual impeller diameter: 118 mm<br/> Primary shaft seal: BQQE<br/> Curve tolerance: ISO9906:2012 3B</p> <p><b>Materials:</b><br/> Pump housing: Cast iron<br/> EN-JL1040<br/> ASTM A48-40 B<br/> Impeller: Stainless steel<br/> DIN W.-Nr. 1.4301<br/> AISI 304</p> <p><b>Installation:</b><br/> Range of ambient temperature: -30 .. 40 °C<br/> Maximum operating pressure: 10 bar<br/> Flange standard: DIN<br/> Pipe connection: DN 32<br/> Pump inlet: DN 32<br/> Pump outlet: DN 32<br/> Pressure stage: PN 6/10<br/> Port-to-port length: 280 mm<br/> Flange size for motor: FT85</p> <p><b>Electrical data:</b><br/> Motor type: 71A<br/> IE Efficiency class: NA<br/> Rated power - P2: 0.25 kW<br/> Power (P2) required by pump: 0.25 kW<br/> Mains frequency: 50 Hz</p> |

| Position | Qty. | Description  |
|----------|------|--|
|          |      | <p>Rated voltage: 3 x 220-240D/380-415Y V</p> <p>Rated current: 1,48/0,85 A</p> <p>Starting current: 400-440 %</p> <p>Cos phi - power factor: 0,75-0,65</p> <p>Rated speed: 1400-1420 rpm</p> <p>Efficiency: 61,5% - 68,5%</p> <p>Motor efficiency at full load: 61.5-68.5 %</p> <p>Motor efficiency at 3/4 load: 70 %</p> <p>Motor efficiency at 1/2 load: 63.9 %</p> <p>Number of poles: 4</p> <p>Enclosure class (IEC 34-5): 55 Dust/Jetting</p> <p>Insulation class (IEC 85): F</p> <p><b>Others:</b></p> <p>Minimum efficiency index, MEI : --.-</p> <p>ErP status: EuP Standalone/Prod.</p> <p>Net weight: 23.2 kg</p> <p>Gross weight: 26.7 kg</p> <p>Shipping volume: 0.06 m<sup>3</sup></p> <p>Danish: VVS NO 381821040</p> |

## 98958179 TP 32-40/4 50 Hz



| Description                          | Value  |
|--------------------------------------|--|
| <b>General information:</b>          |  |
| Product name:                        | TP 32-40/4 A-F-A-BQQE                            |
| Product No:                          | 98958179   |
| EAN number:                          | 5712604246474                                    |
| <b>Technical:</b>                    |  |
| Speed for pump data:                 | 1370 rpm   |
| Rated flow:                          | 3.41 m <sup>3</sup> /h                           |
| Rated head:                          | 2.94 m   |
| Head max:                            | 40 dm  |
| Actual impeller diameter:            | 118 mm   |
| Primary shaft seal:                  | BQQE   |
| Curve tolerance:                     | ISO9906:2012 3B                                  |
| Pump version:                        | A  |
| Model:                               | A  |
| <b>Materials:</b>                    |  |
| Pump housing:                        | Cast iron<br>EN-JL1040<br>ASTM A48-40 B          |
| Impeller:                            | Stainless steel<br>DIN W.-Nr. 1.4301<br>AISI 304 |
| Material code:                       | A  |
| <b>Installation:</b>                 |  |
| Range of ambient temperature:        | -30 .. 40 °C                                     |
| Maximum operating pressure:          | 10 bar   |
| Flange standard:                     | DIN  |
| Connect code:                        | F  |
| Pipe connection:                     | DN 32  |
| Pump inlet:                          | DN 32  |
| Pump outlet:                         | DN 32  |
| Pressure stage:                      | PN 6/10  |
| Port-to-port length:                 | 280 mm   |
| Flange size for motor:               | FT85   |
| <b>Liquid:</b>                       |  |
| Pumped liquid:                       | Water  |
| Liquid temperature range:            | -25 .. 120 °C                                    |
| Liquid temperature during operation: | 20 °C  |
| Density:                             | 998.2 kg/m <sup>3</sup>                          |
| <b>Electrical data:</b>              |  |
| Motor type:                          | 71A  |
| IE Efficiency class:                 | NA   |
| Rated power - P2:                    | 0.25 kW  |
| Power (P2) required by pump:         | 0.25 kW  |
| Mains frequency:                     | 50 Hz  |
| Rated voltage:                       | 3 x 220-240D/380-415Y V                          |
| Rated current:                       | 1,48/0,85 A                                      |
| Starting current:                    | 400-440 %  |
| Cos phi - power factor:              | 0,75-0,65  |
| Rated speed:                         | 1400-1420 rpm                                    |
| Efficiency:                          | 61,5% - 68,5%                                    |
| Motor efficiency at full load:       | 61.5-68.5 %                                      |
| Motor efficiency at 3/4 load:        | 70 %   |
| Motor efficiency at 1/2 load:        | 63.9 %   |
| Number of poles:                     | 4  |





Company name:

Created by:

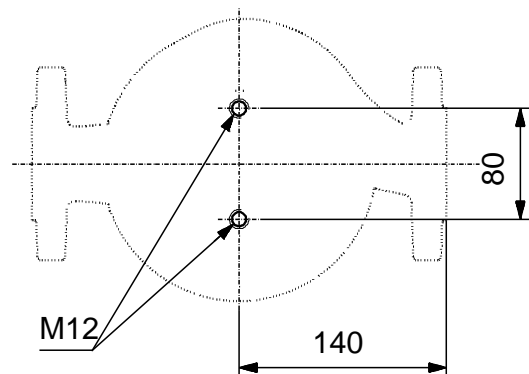
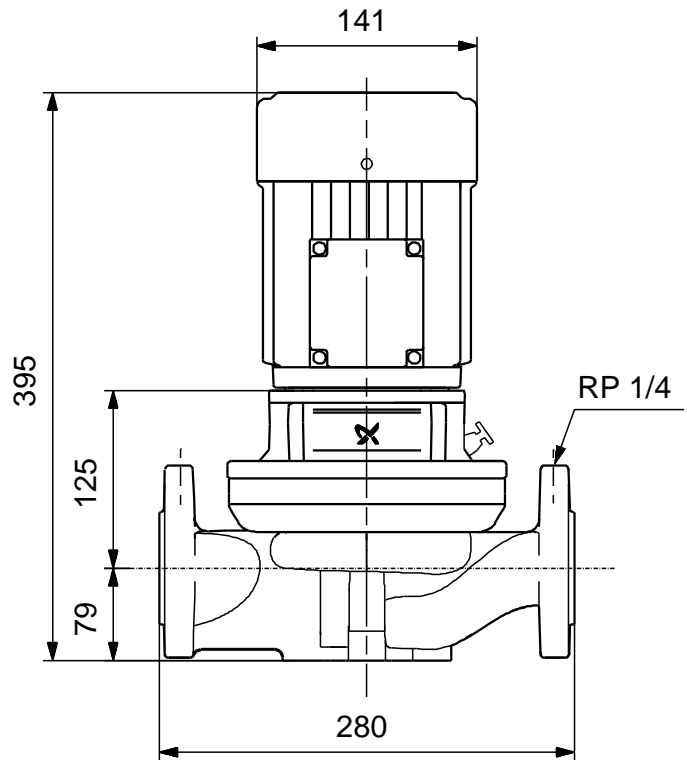
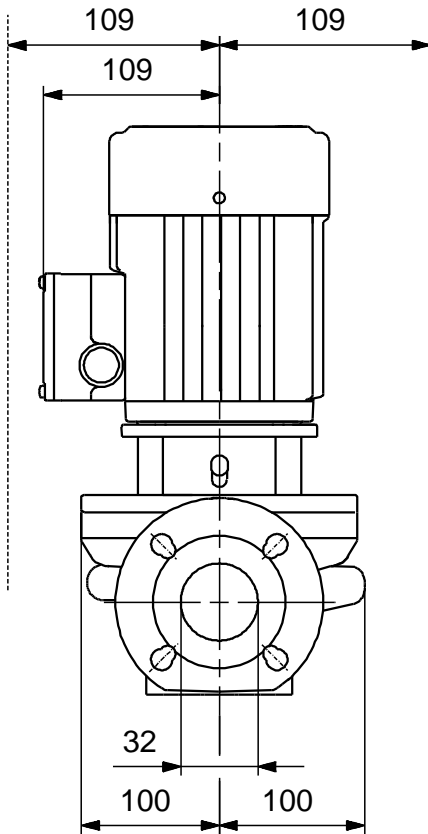
Phone:

Date:

31/08/2017

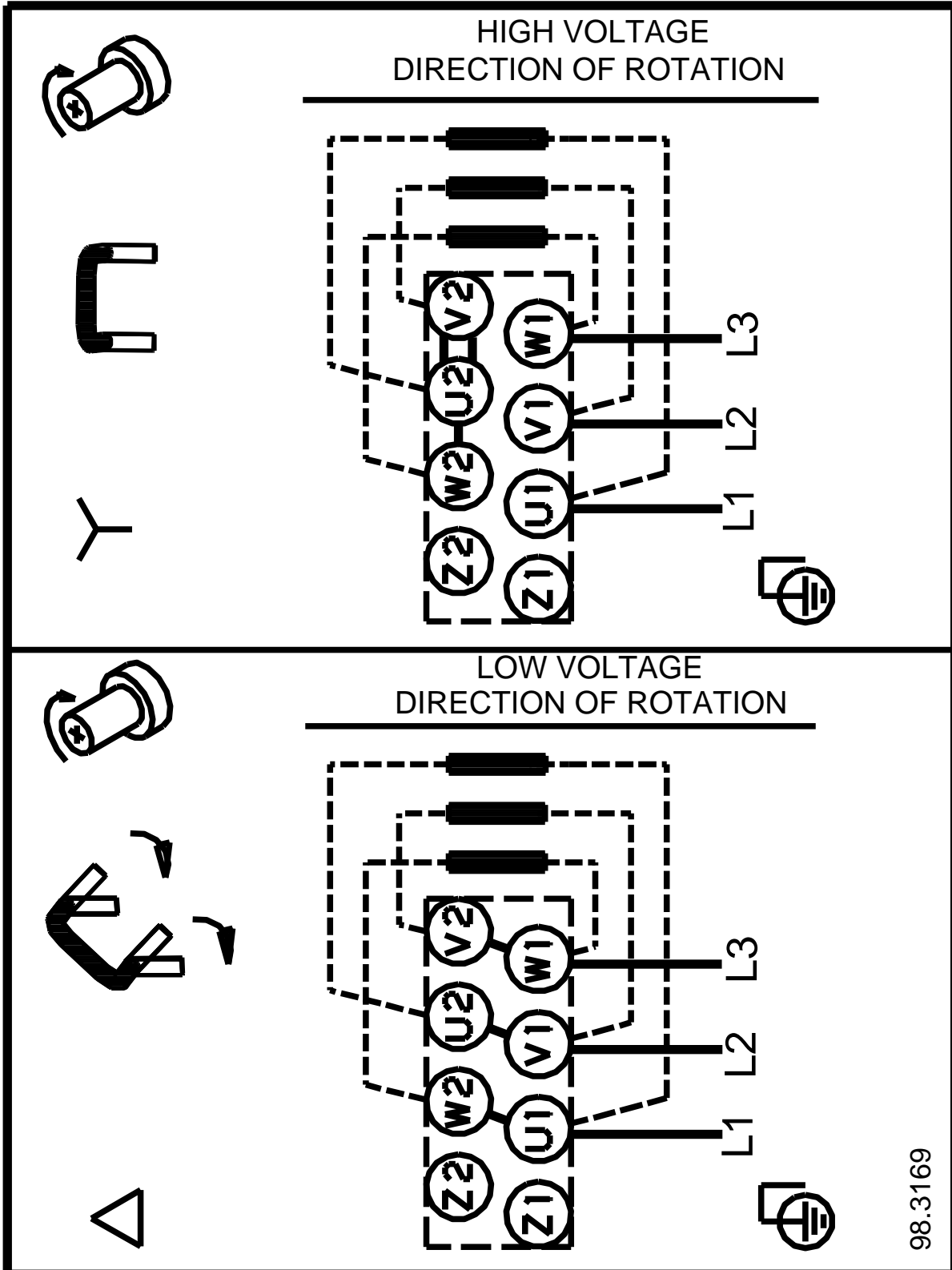
| Description                     | Value                |
|---------------------------------|----------------------|
| Enclosure class (IEC 34-5):     | 55 Dust/Jetting      |
| Insulation class (IEC 85):      | F                    |
| Motor protec:                   | NONE                 |
| Motor No:                       | 86805101             |
| <b>Others:</b>                  |                      |
| Minimum efficiency index, MEI : | --.-                 |
| ErP status:                     | EuP Standalone/Prod. |
| Net weight:                     | 23.2 kg              |
| Gross weight:                   | 26.7 kg              |
| Shipping volume:                | 0.06 m <sup>3</sup>  |
| Danish:                         | VVS NO 381821040     |

## 98958179 TP 32-40/4 50 Hz



Note! All units are in [mm] unless others are stated.  
Disclaimer: This simplified dimensional drawing does not show all details.

**98958179 TP 32-40/4 50 Hz**



Note! All units are in [mm] unless others are stated.