


Position	Qty.	Description
	1	<p>TPD 32-60/4 A-F-A-BQQE</p>  <p>Product No.: On request</p> <p>Single-stage, close-coupled, volute twin-head pump with in-line suction and discharge ports of identical diameter. The twin-head pump is designed with two parallel power-heads. The pump is of the top-pull-out design, i.e. the power head (motor, pump head and impeller) can be removed for maintenance or service while the pump housing remains in the pipework.</p> <p>Each power head is fitted with an unbalanced rubber bellows seal. The shaft seal is according to EN 12756. Pipework connection is via PN 6/10 DIN flanges (EN 1092-2 and ISO 7005-2).</p> <p>Each power head is fitted with a fan-cooled asynchronous motor of identical size.</p> <p>Liquid:</p> <p>Pumped liquid: Water Liquid temperature range: -25 .. 120 °C Liquid temperature during operation: 20 °C Density: 998.2 kg/m³</p> <p>Technical:</p> <p>Rated flow: 3.8 m³/h Rated head: 3.9 m Actual impeller diameter: 136 mm Primary shaft seal: BQQE Curve tolerance: ISO9906:2012 3B</p> <p>Materials:</p> <p>Pump housing: Cast iron EN-JL1040 ASTM A48-40 B</p> <p>Impeller: Stainless steel DIN W.-Nr. 1.4301 AISI 304</p> <p>Installation:</p> <p>Range of ambient temperature: -30 .. 40 °C Maximum operating pressure: 10 bar Flange standard: DIN Pipe connection: DN 32 Pump inlet: DN 32 Pump outlet: DN 32 Pressure rating: PN 6/10 Port-to-port length: 280 mm Flange size for motor: FT85</p> <p>Electrical data:</p> <p>Motor type: 71B Rated power - P2: 2 x 0.25 kW Mains frequency: 50 Hz Rated voltage: 1 x 220-230 V Rated current: 2.14 A</p>



Company name:

Created by:

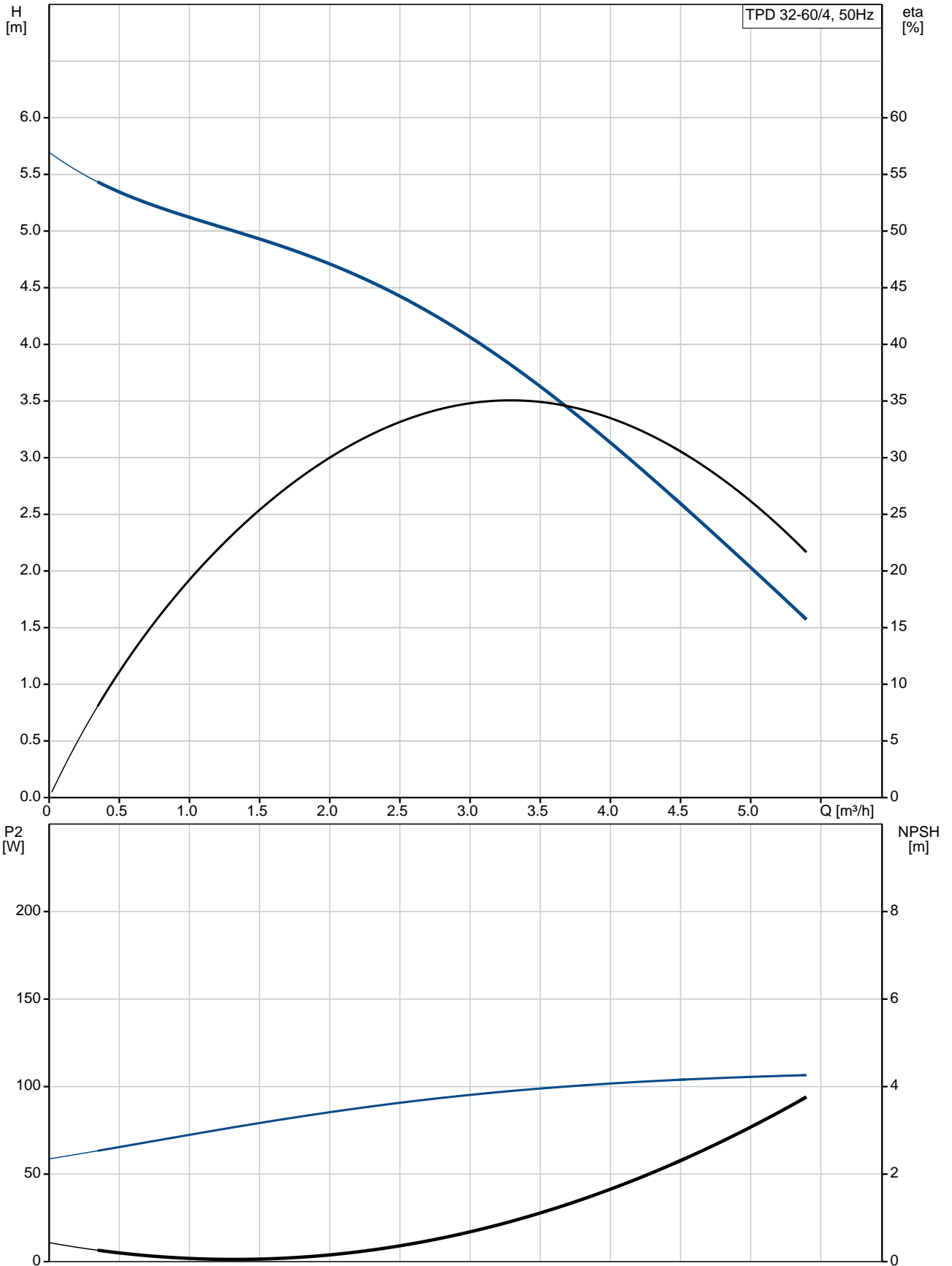
Phone:

Date:

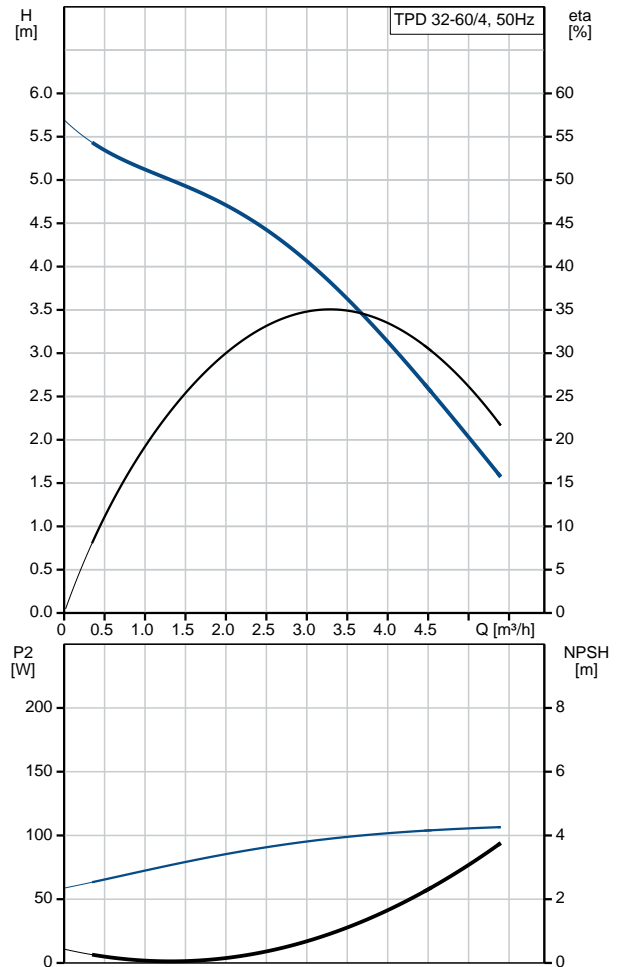
03/10/2018

Position	Qty.	Description
		Starting current: 220 % Cos phi - power factor: 0.97 Rated speed: 1350-1370 rpm Motor efficiency at full load: 57.0-55.0 % Number of poles: 4 Enclosure class (IEC 34-5): 55 Dust/Jetting Insulation class (IEC 85): F Others: ErP status: EuP Standalone/Prod. Net weight: 54.7 kg Gross weight: 61.7 kg Shipping volume: 0.12 m ³

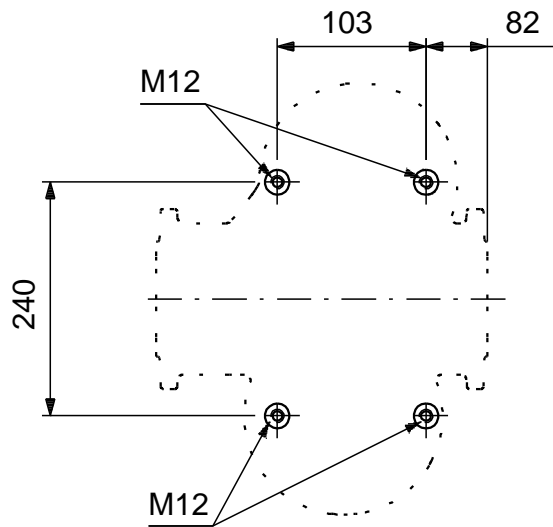
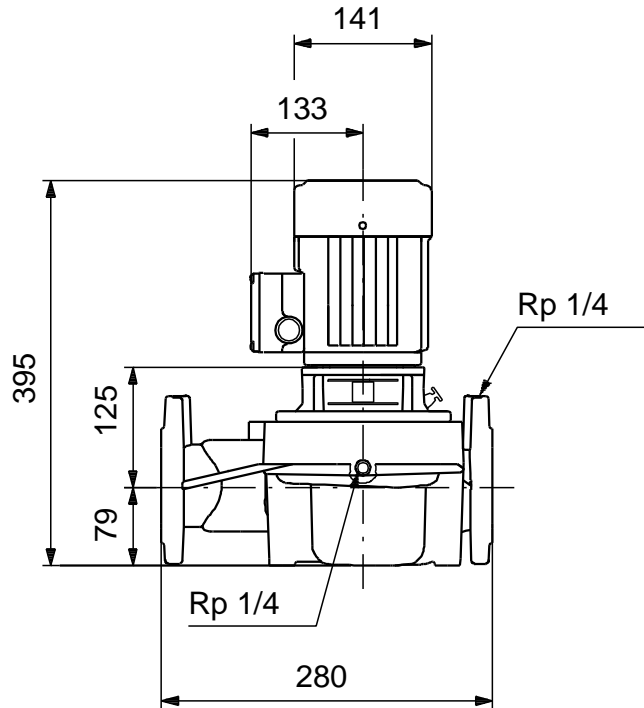
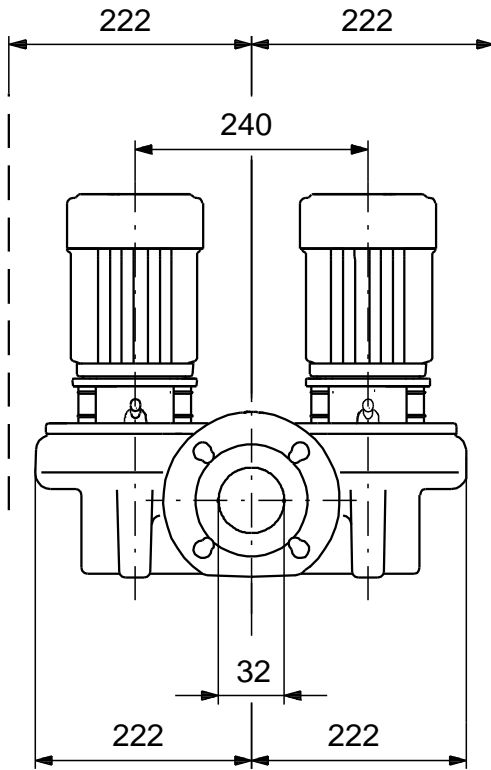
On request TPD 32-60/4 A-F-A-BQQE 50 Hz



Description	Value
General information:	
Product name:	TPD 32-60/4 A-F-A-BQQE
Product No:	On request
EAN number:	On request
Technical:	
Rated flow:	3.8 m³/h
Rated head:	3.9 m
Head max:	60 dm
Actual impeller diameter:	136 mm
Primary shaft seal:	BQQE
Curve tolerance:	ISO9906:2012 3B
Pump version:	A
Model:	A
Materials:	
Pump housing:	Cast iron
	EN-JL1040
	ASTM A48-40 B
Impeller:	Stainless steel
	DIN W.-Nr. 1.4301
	AISI 304
Material code:	A
Installation:	
Range of ambient temperature:	-30 .. 40 °C
Maximum operating pressure:	10 bar
Flange standard:	DIN
Pipe connection:	DN 32
Pump inlet:	DN 32
Pump outlet:	DN 32
Pressure rating:	PN 6/10
Port-to-port length:	280 mm
Flange size for motor:	FT85
Connect code:	F
Liquid:	
Pumped liquid:	Water
Liquid temperature range:	-25 .. 120 °C
Liquid temperature during operation:	20 °C
Density:	998.2 kg/m³
Electrical data:	
Motor type:	71B
Rated power - P2:	2 x 0.25 kW
Mains frequency:	50 Hz
Rated voltage:	1 x 220-230 V
Rated current:	2.14 A
Starting current:	220 %
Cos phi - power factor:	0.97
Rated speed:	1350-1370 rpm
Motor efficiency at full load:	57.0-55.0 %
Number of poles:	4
Enclosure class (IEC 34-5):	55 Dust/Jetting
Insulation class (IEC 85):	F
Motor protec:	PTO
Motor No:	86215101
Others:	
ErP status:	EuP Standalone/Prod.
Net weight:	54.7 kg
Gross weight:	61.7 kg
Shipping volume:	0.12 m³

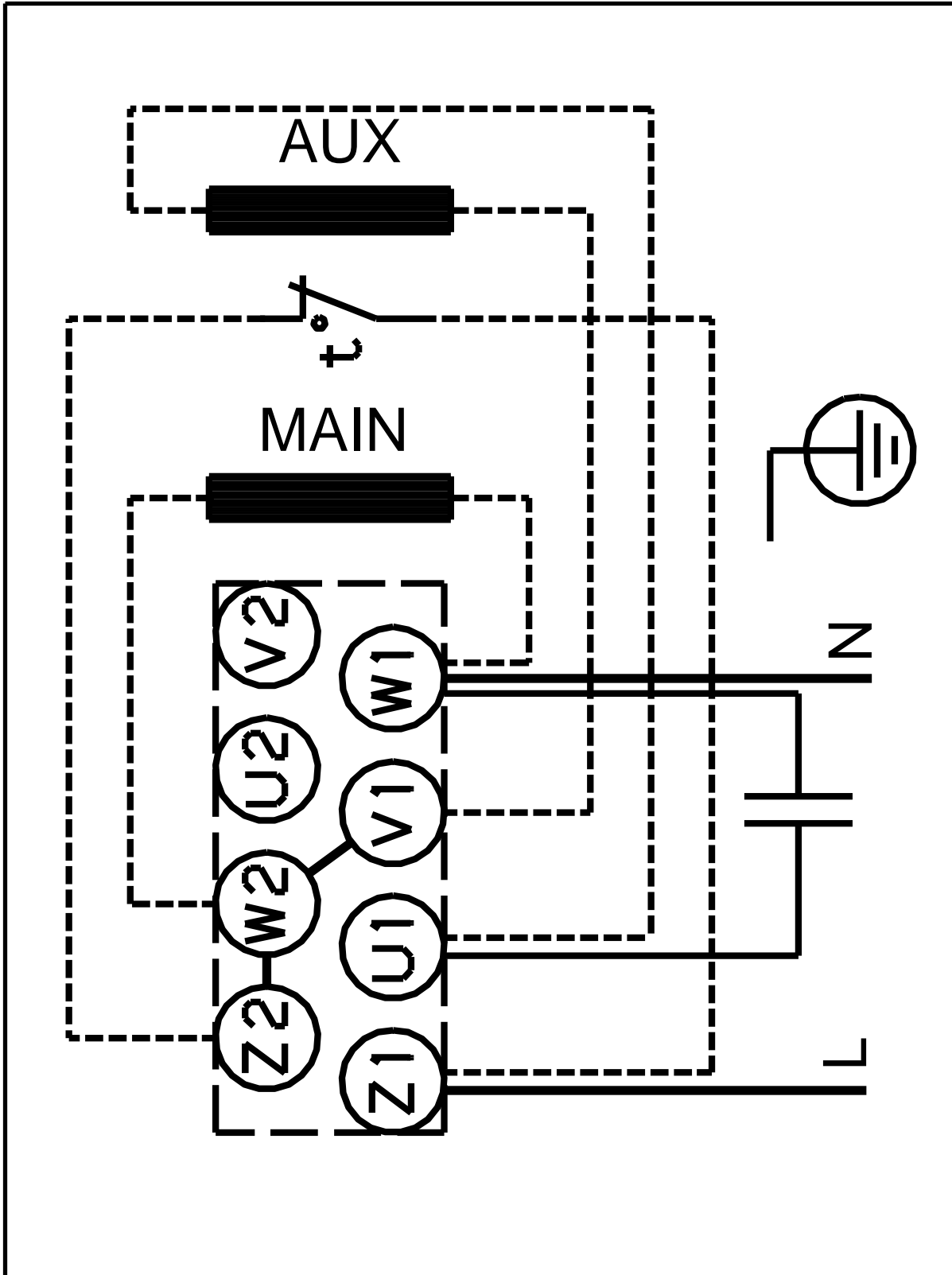


On request TPD 32-60/4 A-F-A-BQQE 50 Hz



Note! All units are in [mm] unless others are stated.
Disclaimer: This simplified dimensional drawing does not show all details.

On request TPD 32-60/4 A-F-A-BQQE 50 Hz



Note! All units are in [mm] unless others are stated.