
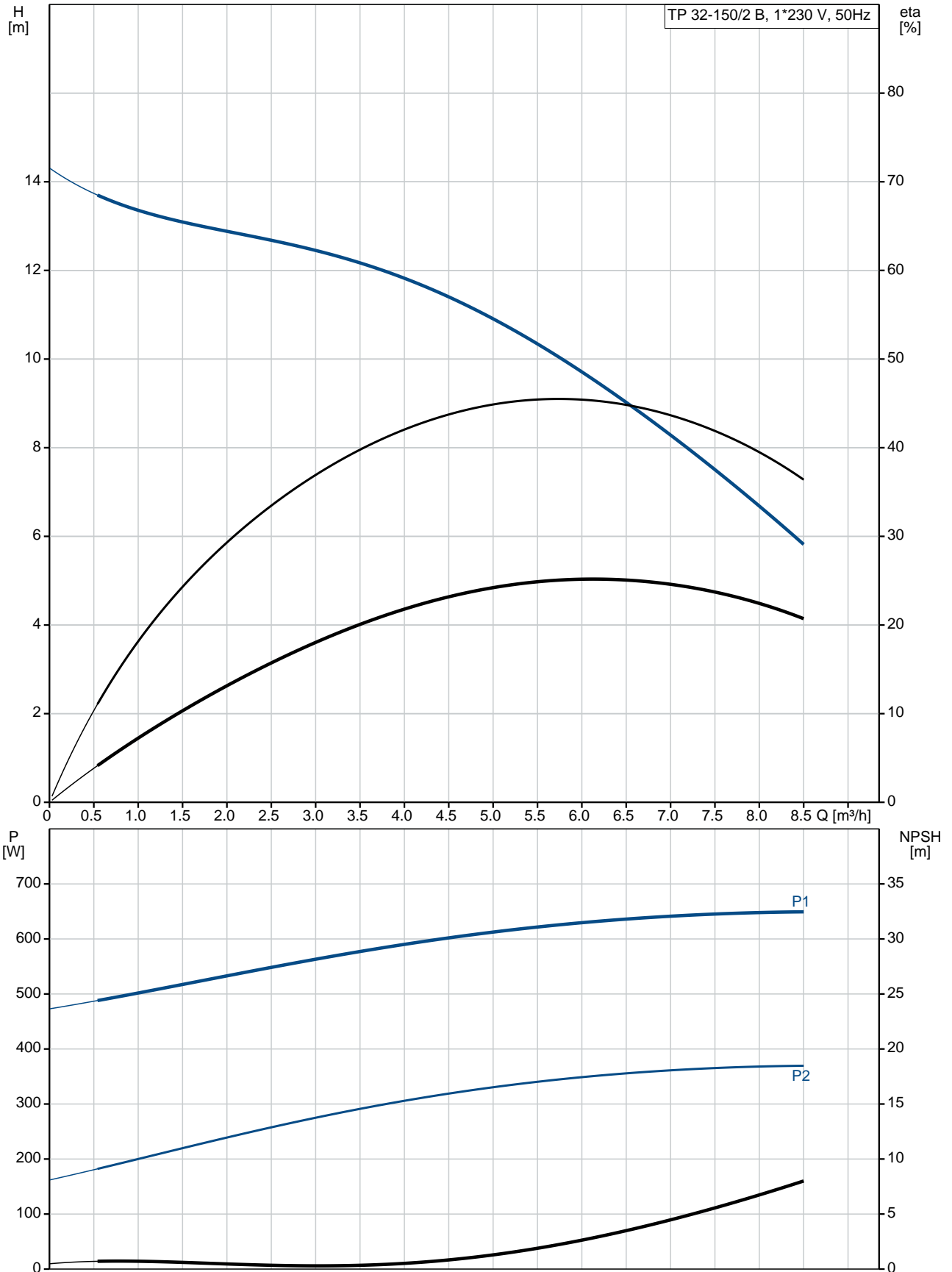


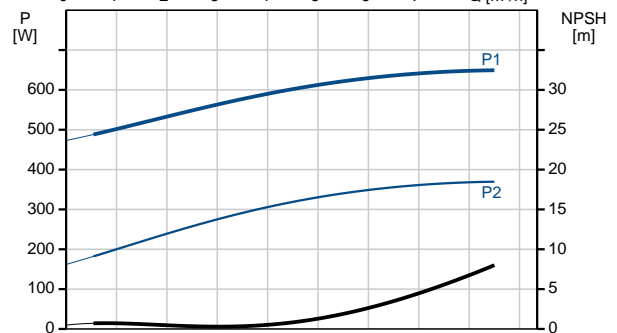
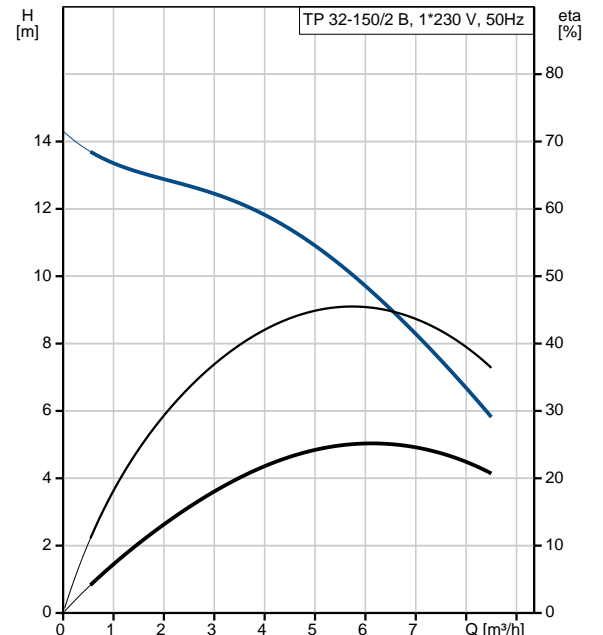
Position	Qty.	Description
	1	<p>TP 32-150/2 B A-F-Z-BQQE</p>  <p>Note! Product picture may differ from actual product</p> <p>Product No.: 98958115</p> <p>Single-stage, close-coupled, volute pump with in-line suction and discharge ports of identical diameter. The pump is of the top-pull-out design, i.e. the power head (motor, pump head and impeller) can be removed for maintenance or service while the pump housing remains in the pipework.</p> <p>The pump is fitted with an unbalanced rubber bellows seal. The shaft seal is according to EN 12756. Pipework connection is via PN 6/10 DIN flanges (EN 1092-2 and ISO 7005-2).</p> <p>The pump is fitted with a fan-cooled asynchronous motor.</p> <p>Liquid:</p> <p>Pumped liquid: Water</p> <p>Liquid temperature range: -25 .. 120 °C</p> <p>Liquid temperature during operation: 20 °C</p> <p>Density: 998.2 kg/m³</p> <p>Technical:</p> <p>Speed for pump data: 2865 rpm</p> <p>Rated flow: 5.8 m³/h</p> <p>Rated head: 10 m</p> <p>Primary shaft seal: BQQE</p> <p>Curve tolerance: ISO9906:2012 3B</p> <p>Materials:</p> <p>Pump housing: Bronze DIN W.-Nr. 2.1050 ASTM B505-C90700</p> <p>Impeller: Stainless steel DIN W.-Nr. 1.4301 AISI 304</p> <p>Installation:</p> <p>Range of ambient temperature: -30 .. 40 °C</p> <p>Maximum operating pressure: 10 bar</p> <p>Flange standard: DIN</p> <p>Pipe connection: DN 32</p> <p>Pressure stage: PN 6/10</p> <p>Port-to-port length: 280 mm</p> <p>Flange size for motor: FT85</p> <p>Electrical data:</p> <p>Motor type: 71B</p> <p>IE Efficiency class: NA</p> <p>Rated power - P2: 0.37 kW</p> <p>Power (P2) required by pump: 0.37 kW</p> <p>Mains frequency: 50 Hz</p> <p>Rated voltage: 1 x 220-230/240 V</p>

Position	Qty.	Description
		<p>Rated current: 2,95/2,70 A</p> <p>Starting current: 280 %</p> <p>Cos phi - power factor: 0,99</p> <p>Rated speed: 2770 rpm</p> <p>Motor efficiency at full load: 60.0-56.0 %</p> <p>Number of poles: 2</p> <p>Enclosure class (IEC 34-5): 55 Dust/Jetting</p> <p>Insulation class (IEC 85): F</p> <p>Others:</p> <p>Minimum efficiency index, MEI : 0.64</p> <p>ErP status: EuP Standalone/Prod.</p> <p>Net weight: 25.9 kg</p> <p>Gross weight: 29.4 kg</p> <p>Shipping volume: 0.12 m³</p>

98958115 TP 32-150/2 B 50 Hz



Description	Value
General information:	
Product name:	TP 32-150/2 B A-F-Z-BQQE
Product No:	98958115
EAN number:	5712604245828
Technical:	
Speed for pump data:	2865 rpm
Rated flow:	5.8 m³/h
Rated head:	10 m
Head max:	150 dm
Primary shaft seal:	BQQE
Curve tolerance:	ISO9906:2012 3B
Pump version:	A
Model:	A
Materials:	
Pump housing:	Bronze DIN W.-Nr. 2.1050 ASTM B505-C90700
Impeller:	Stainless steel DIN W.-Nr. 1.4301 AISI 304
Material code:	Z
Installation:	
Range of ambient temperature:	-30 .. 40 °C
Maximum operating pressure:	10 bar
Flange standard:	DIN
Connect code:	F
Pipe connection:	DN 32
Pressure stage:	PN 6/10
Port-to-port length:	280 mm
Flange size for motor:	FT85
Liquid:	
Pumped liquid:	Water
Liquid temperature range:	-25 .. 120 °C
Liquid temperature during operation:	20 °C
Density:	998.2 kg/m³
Electrical data:	
Motor type:	71B
IE Efficiency class:	NA
Rated power - P2:	0.37 kW
Power (P2) required by pump:	0.37 kW
Mains frequency:	50 Hz
Rated voltage:	1 x 220-230/240 V
Rated current:	2,95/2,70 A
Starting current:	280 %
Cos phi - power factor:	0,99
Rated speed:	2770 rpm
Motor efficiency at full load:	60.0-56.0 %
Number of poles:	2
Enclosure class (IEC 34-5):	55 Dust/Jetting
Insulation class (IEC 85):	F
Motor protec:	PTO
Motor No:	85215102
Others:	





Company name:

Created by:

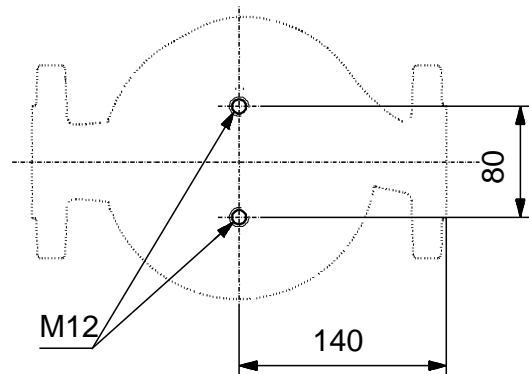
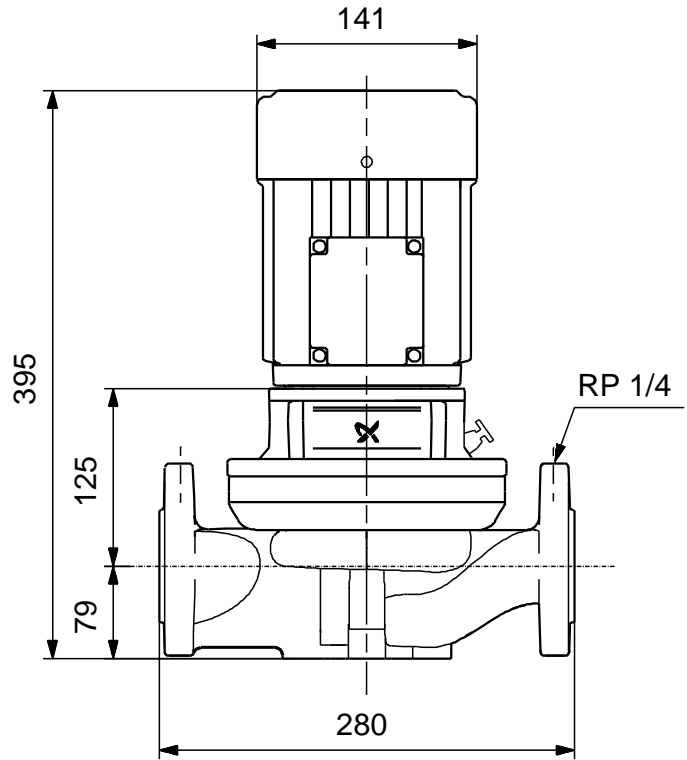
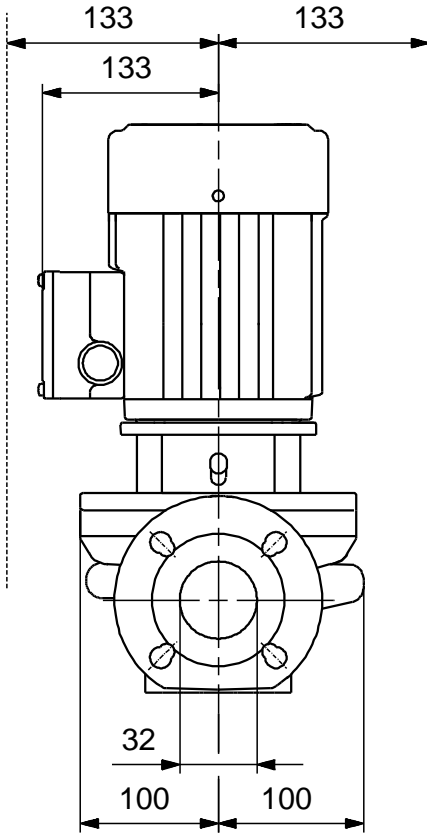
Phone:

Date:

30/06/2017

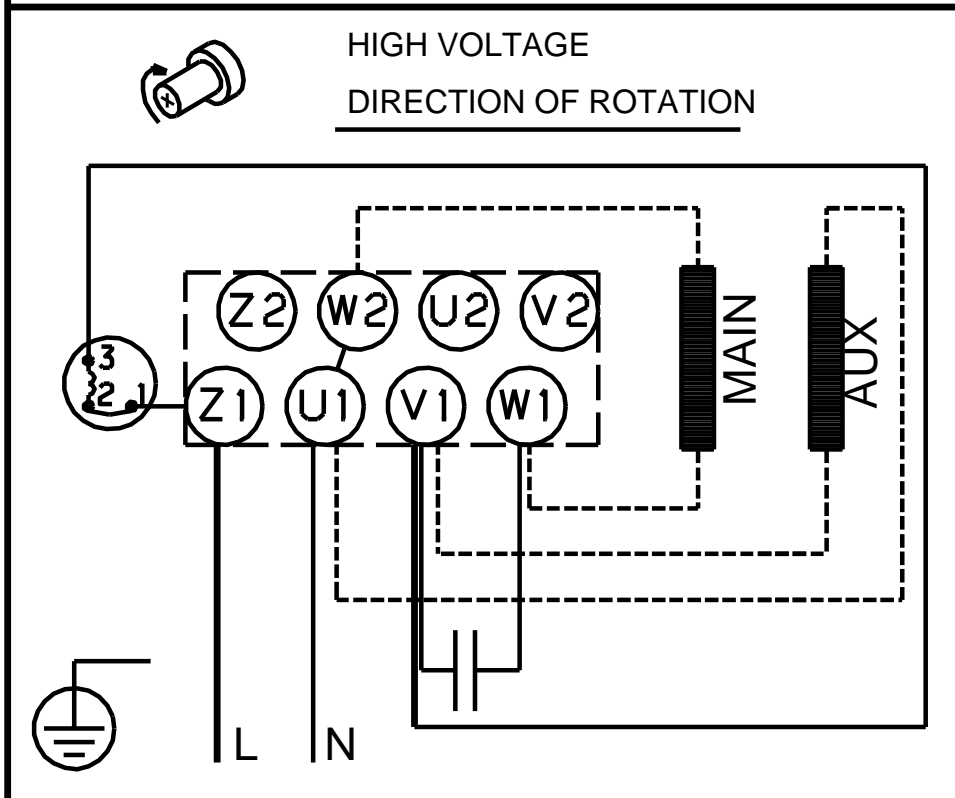
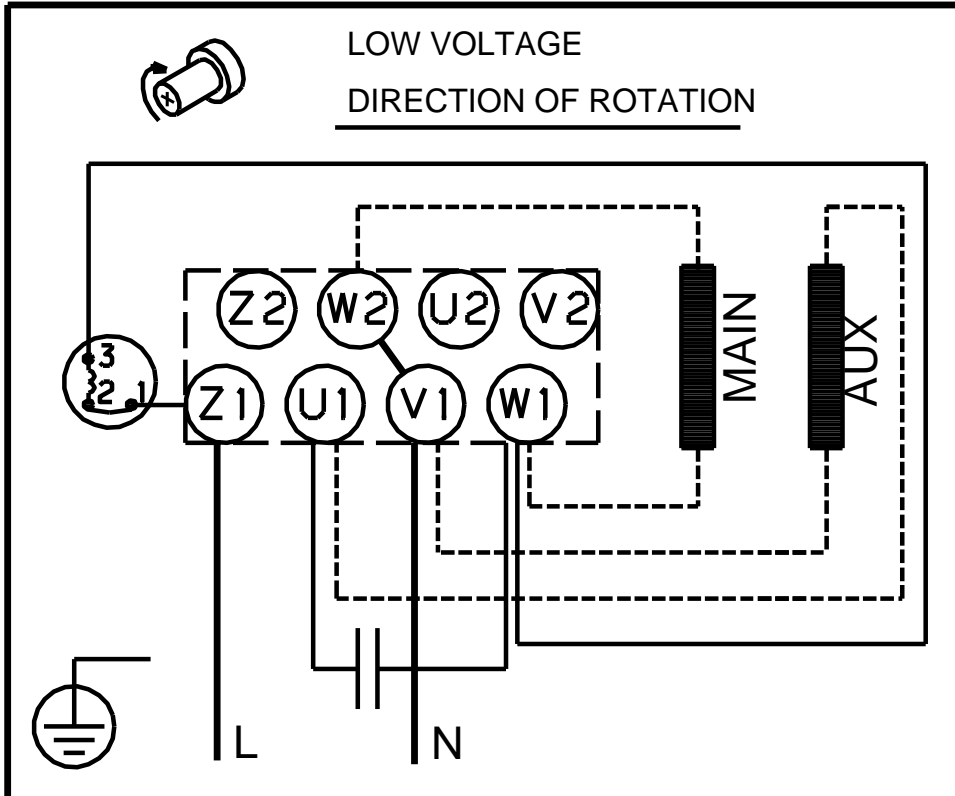
Description	Value
Minimum efficiency index, MEI :	0.64
ErP status:	EuP Standalone/Prod.
Net weight:	25.9 kg
Gross weight:	29.4 kg
Shipping volume:	0.12 m ³

98958115 TP 32-150/2 B 50 Hz



Note! All units are in [mm] unless others are stated.
Disclaimer: This simplified dimensional drawing does not show all details.

98958115 TP 32-150/2 B 50 Hz



Note! All units are in [mm] unless others are stated.