
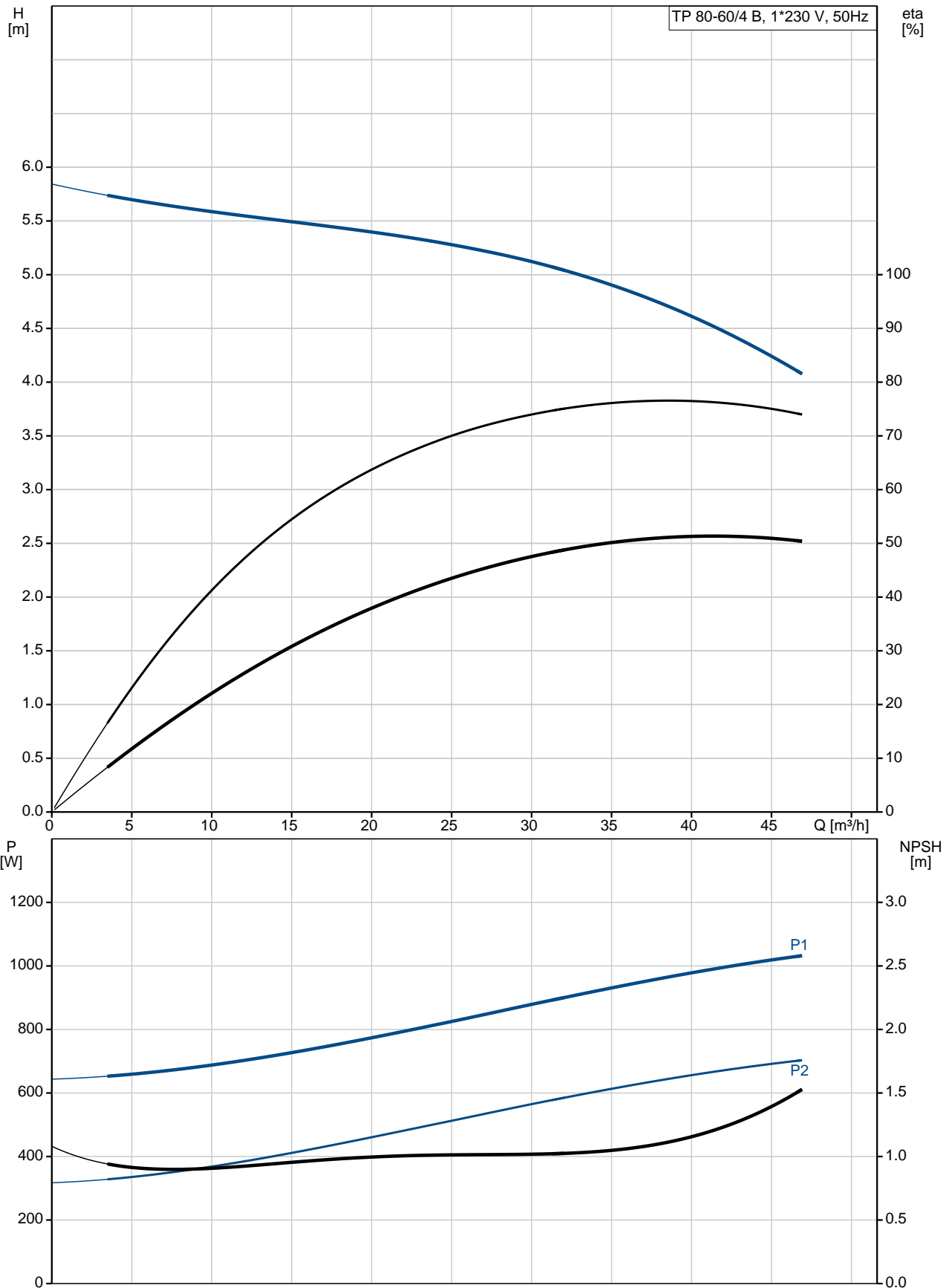


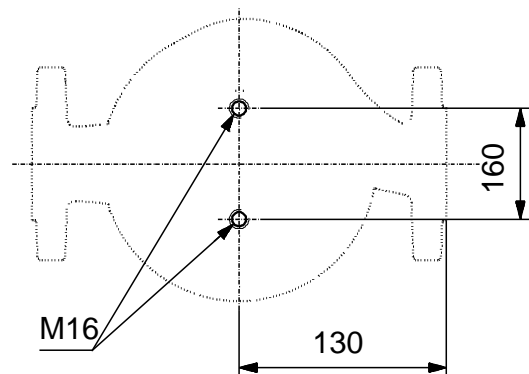
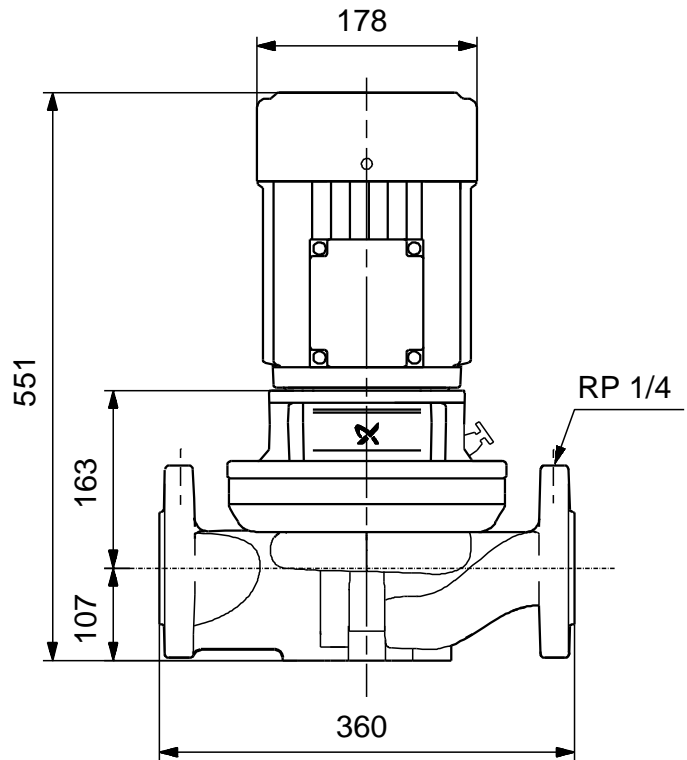
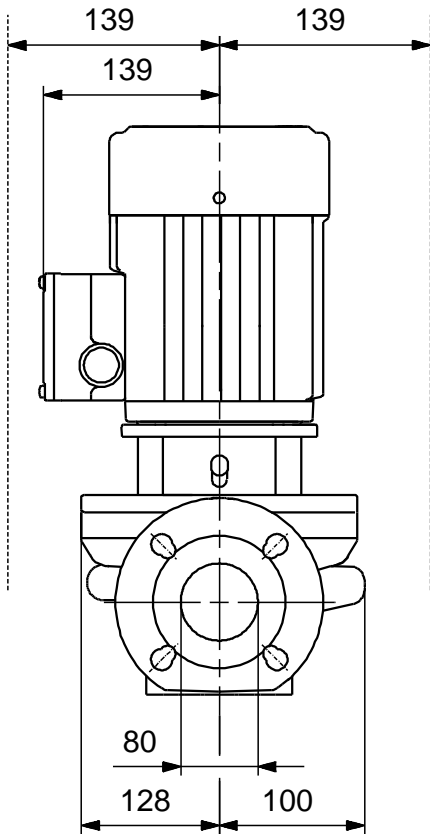
Position	Qty.	Description
	1	<p>TP 80-60/4 B AI-F-Z-BQQE</p>  <p>Note! Product picture may differ from actual product</p> <p>Product No.: 98958076</p> <p>Single-stage, close-coupled, volute pump with in-line suction and discharge ports of identical diameter. The pump is of the top-pull-out design, i.e. the power head (motor, pump head and impeller) can be removed for maintenance or service while the pump housing remains in the pipework.</p> <p>The pump is fitted with an unbalanced rubber bellows seal. The shaft seal is according to EN 12756. Pipework connection is via PN 6 DIN flanges (EN 1092-2 and ISO 7005-2).</p> <p>The pump is fitted with a fan-cooled asynchronous motor.</p> <p>Liquid: Pumped liquid: Water Liquid temperature range: -25 .. 120 °C Liquid temperature during operation: 20 °C Density: 998.2 kg/m³</p> <p>Technical: Speed for pump data: 1420 rpm Rated flow: 39.1 m³/h Rated head: 4.97 m Primary shaft seal: BQQE Curve tolerance: ISO9906:2012 3B</p> <p>Materials: Pump housing: Bronze DIN W.-Nr. 2.1050 ASTM B505-C90700 Impeller: Stainless steel DIN W.-Nr. 1.4301 AISI 304</p> <p>Installation: Range of ambient temperature: -30 .. 40 °C Maximum operating pressure: 6 bar Flange standard: DIN Pipe connection: DN 80 Pressure stage: PN 6 Port-to-port length: 360 mm Flange size for motor: FT115</p> <p>Electrical data: Motor type: 90SA IE Efficiency class: NA Rated power - P2: 0.75 kW Power (P2) required by pump: 0.75 kW Mains frequency: 50 Hz Rated voltage: 1 x 220-230 V</p>

Position	Qty.	Description
		Rated current: 5.45 A Starting current: 320 % Cos phi - power factor: 0,96 Rated speed: 1390-1410 rpm Motor efficiency at full load: 71-70 % Number of poles: 4 Enclosure class (IEC 34-5): 55 Dust/Jetting Insulation class (IEC 85): F Others: Minimum efficiency index, MEI : 0.70 ErP status: EuP Standalone/Prod. Net weight: 53.2 kg Gross weight: 59.8 kg Shipping volume: 0.16 m ³

98958076 TP 80-60/4 B 50 Hz

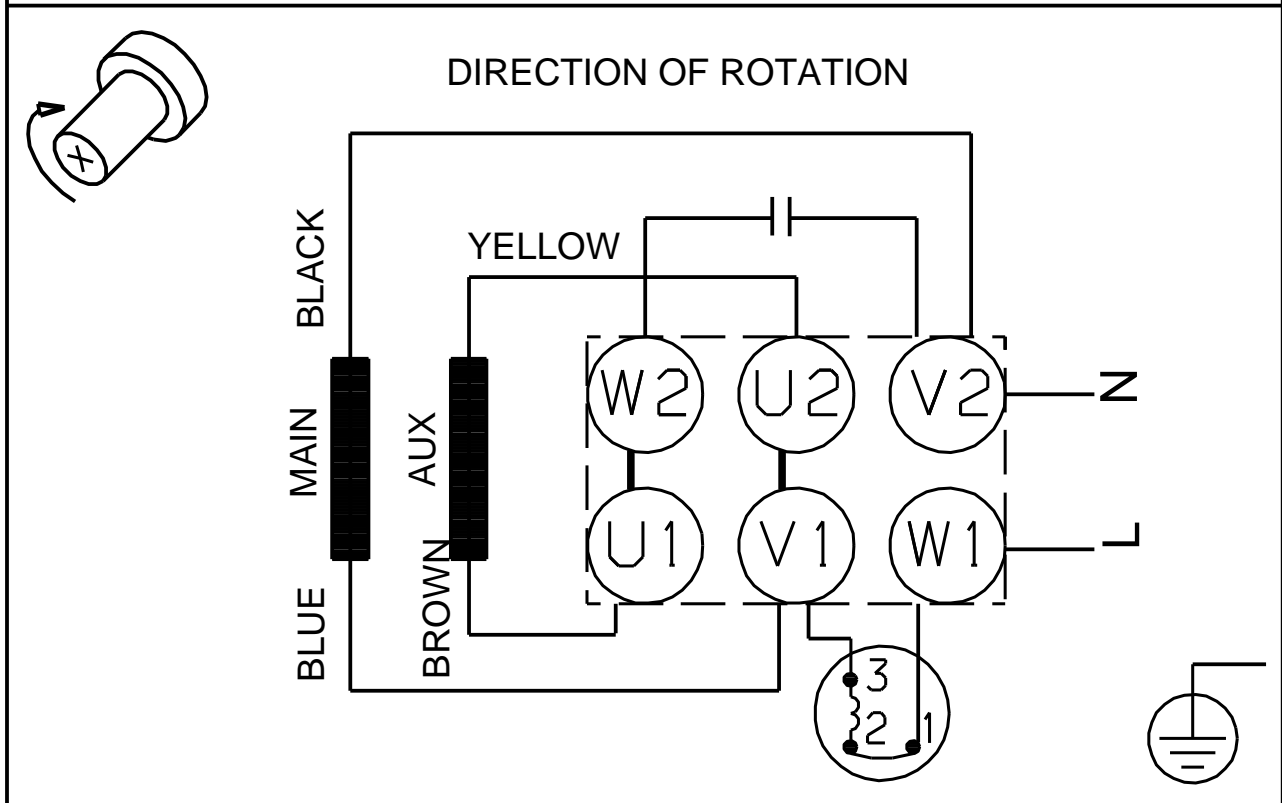
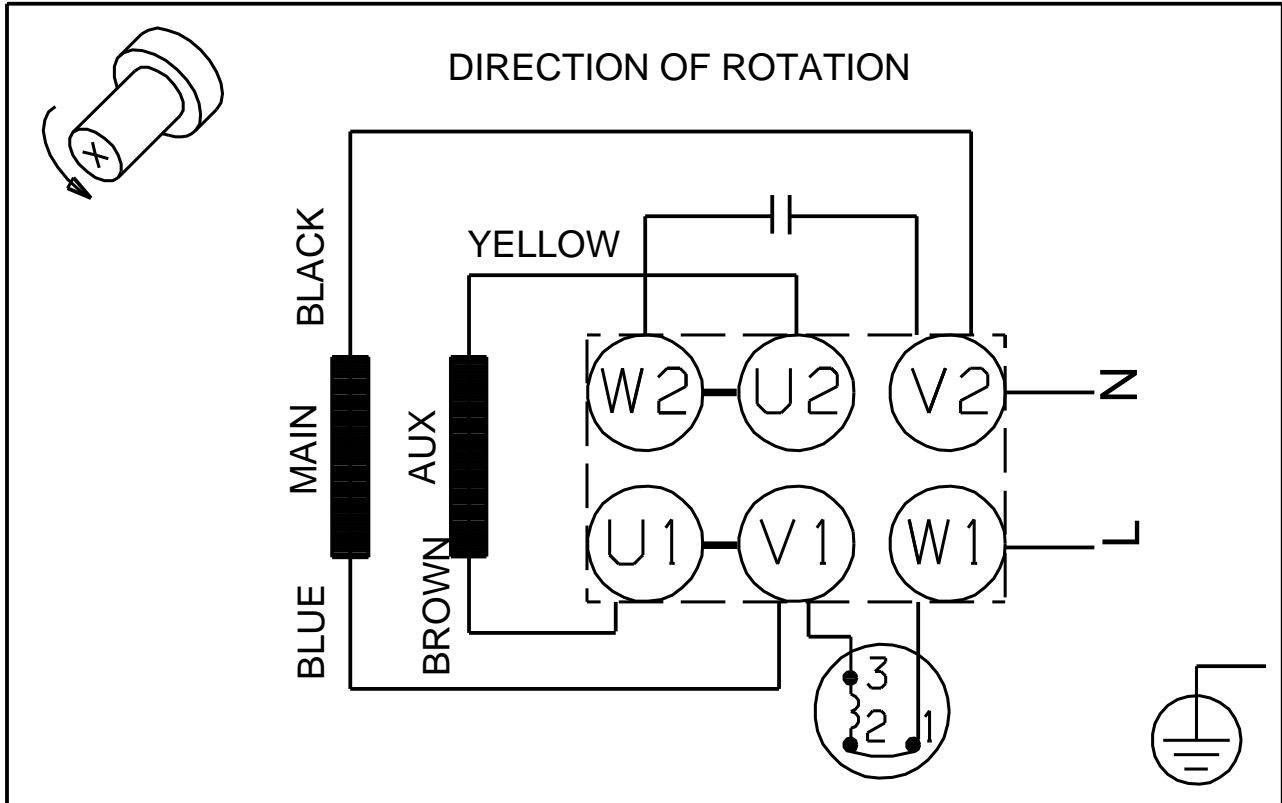


98958076 TP 80-60/4 B 50 Hz



Note! All units are in [mm] unless others are stated.
Disclaimer: This simplified dimensional drawing does not show all details.

98958076 TP 80-60/4 B 50 Hz



Note! All units are in [mm] unless others are stated.