
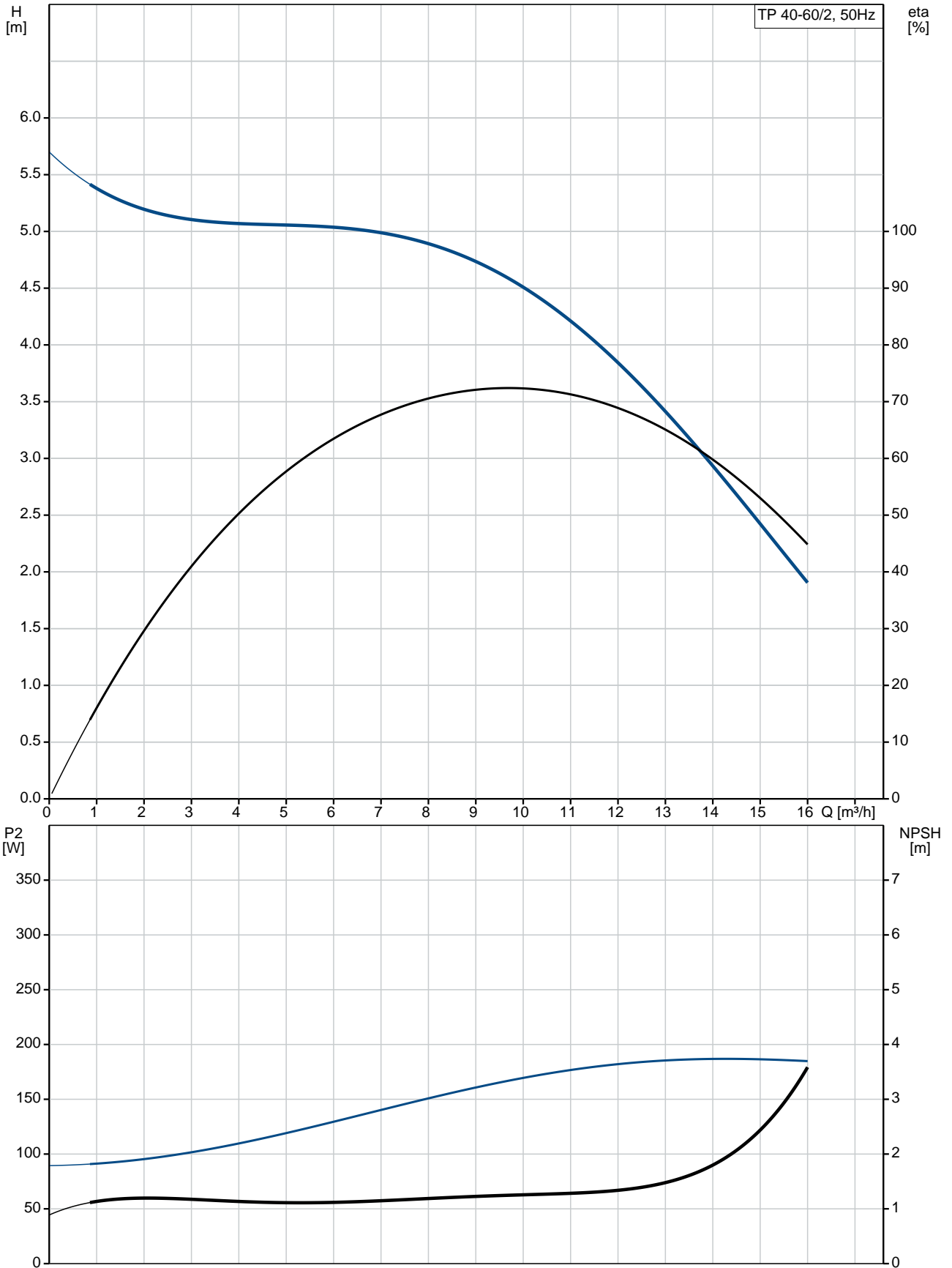


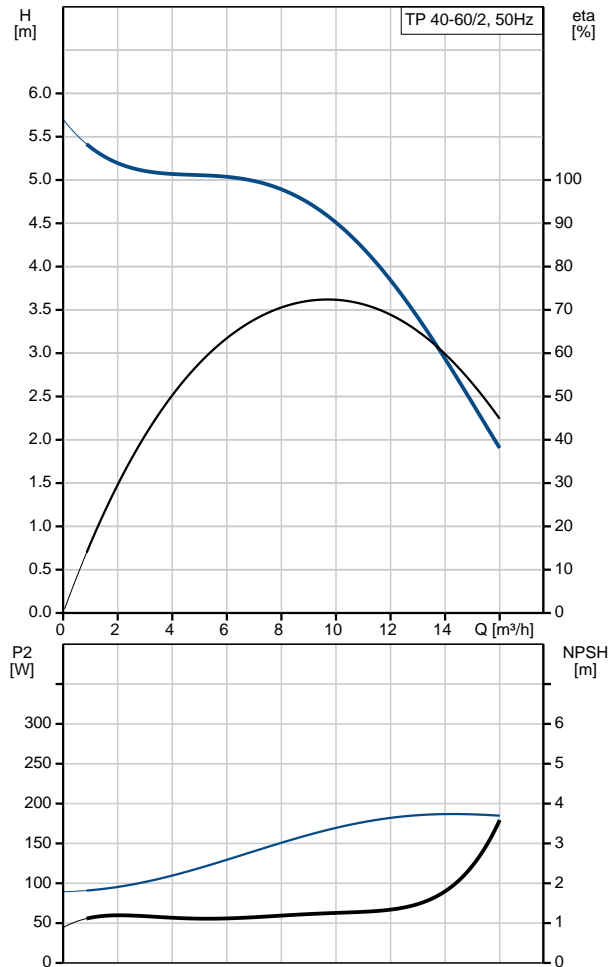
Position	Qty.	Description
	1	<p><b>TP 40-60/2 A-F-A-BQQE</b></p>  <p>Product No.: <a href="#">98957960</a></p> <p>Single-stage, close-coupled, volute pump with in-line suction and discharge ports of identical diameter. The pump is of the top-pull-out design, i.e. the power head (motor, pump head and impeller) can be removed for maintenance or service while the pump housing remains in the pipework.</p> <p>The pump is fitted with an unbalanced rubber bellows seal. The shaft seal is according to EN 12756. Pipework connection is via PN 6/10 DIN flanges (EN 1092-2 and ISO 7005-2).</p> <p>The pump is fitted with a fan-cooled asynchronous motor.</p> <p><b>Liquid:</b>  Pumped liquid: Water  Liquid temperature range: -25 .. 120 °C  Liquid temperature during operation: 20 °C  Density: 998.2 kg/m<sup>3</sup></p> <p><b>Technical:</b>  Speed for pump data: 2770 rpm  Rated flow: 9.7 m<sup>3</sup>/h  Rated head: 4.6 m  Actual impeller diameter: 70 mm  Primary shaft seal: BQQE  Curve tolerance: ISO9906:2012 3B</p> <p><b>Materials:</b>  Pump housing: Cast iron  EN-JL1040  ASTM A48-40 B  Impeller: Stainless steel  DIN W.-Nr. 1.4301  AISI 304</p> <p><b>Installation:</b>  Range of ambient temperature: -30 .. 40 °C  Maximum operating pressure: 10 bar  Flange standard: DIN  Pipe connection: DN 40  Pump inlet: DN 40  Pump outlet: DN 40  Pressure rating: PN 6/10  Port-to-port length: 250 mm  Flange size for motor: FT85</p> <p><b>Electrical data:</b>  Motor type: 71A  IE Efficiency class: NA  Rated power - P2: 0.25 kW  Power (P2) required by pump: 0.25 kW  Mains frequency: 50 Hz</p>

Position	Qty.	Description
		<p>Rated voltage: 1 x 220-230/240 V</p> <p>Rated current: 2,05/2,00 A</p> <p>Starting current: 280 %</p> <p>Cos phi - power factor: 0,99</p> <p>Rated speed: 2800 rpm</p> <p>Motor efficiency at full load: 58.0 %</p> <p>Number of poles: 2</p> <p>Enclosure class (IEC 34-5): 55 Dust/Jetting</p> <p>Insulation class (IEC 85): F</p> <p><b>Others:</b></p> <p>Minimum efficiency index, MEI : 0.70</p> <p>ErP status: EuP Standalone/Prod.</p> <p>Net weight: 21 kg</p> <p>Gross weight: 24.5 kg</p> <p>Shipping volume: 0.06 m<sup>3</sup></p>

## 98957960 TP 40-60/2 50 Hz



Description	Value
<b>General information:</b>	
Product name:	TP 40-60/2 A-F-A-BQQE
Product No:	98957960
EAN number:	5712604244272
<b>Technical:</b>	
Speed for pump data:	2770 rpm
Rated flow:	9.7 m³/h
Rated head:	4.6 m
Head max:	60 dm
Actual impeller diameter:	70 mm
Primary shaft seal:	BQQE
Curve tolerance:	ISO9906:2012 3B
Pump version:	A
Model:	A
<b>Materials:</b>	
Pump housing:	Cast iron EN-JL1040 ASTM A48-40 B
Impeller:	Stainless steel DIN W.-Nr. 1.4301 AISI 304
Material code:	A
<b>Installation:</b>	
Range of ambient temperature:	-30 .. 40 °C
Maximum operating pressure:	10 bar
Flange standard:	DIN
Connect code:	F
Pipe connection:	DN 40
Pump inlet:	DN 40
Pump outlet:	DN 40
Pressure rating:	PN 6/10
Port-to-port length:	250 mm
Flange size for motor:	FT85
<b>Liquid:</b>	
Pumped liquid:	Water
Liquid temperature range:	-25 .. 120 °C
Liquid temperature during operation:	20 °C
Density:	998.2 kg/m³
<b>Electrical data:</b>	
Motor type:	71A
IE Efficiency class:	NA
Rated power - P2:	0.25 kW
Power (P2) required by pump:	0.25 kW
Mains frequency:	50 Hz
Rated voltage:	1 x 220-230/240 V
Rated current:	2,05/2,00 A
Starting current:	280 %
Cos phi - power factor:	0,99
Rated speed:	2800 rpm
Motor efficiency at full load:	58.0 %
Number of poles:	2
Enclosure class (IEC 34-5):	55 Dust/Jetting
Insulation class (IEC 85):	F
Motor protec:	PTO





Company name:

Created by:

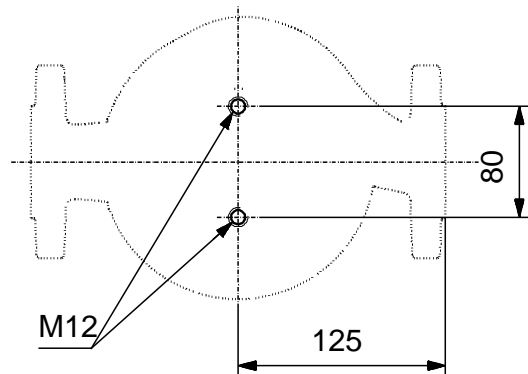
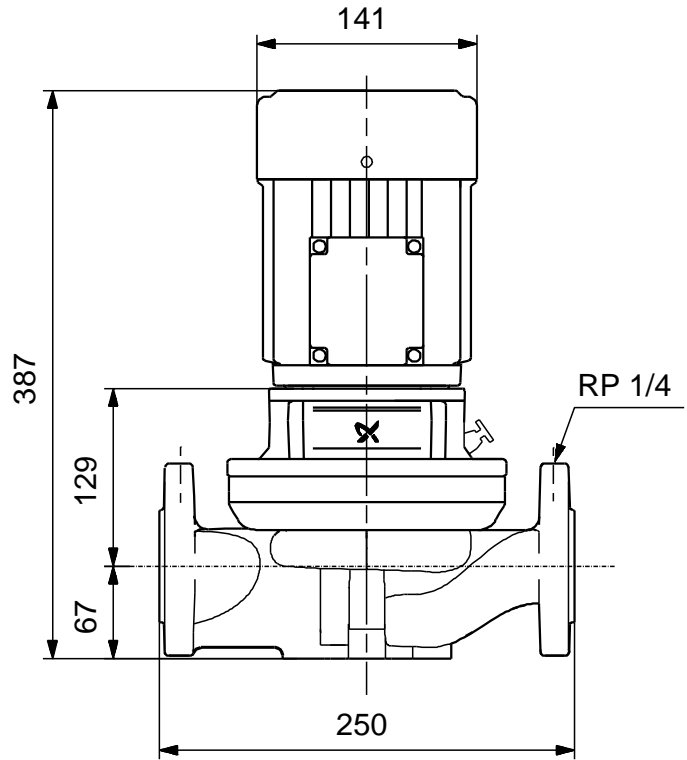
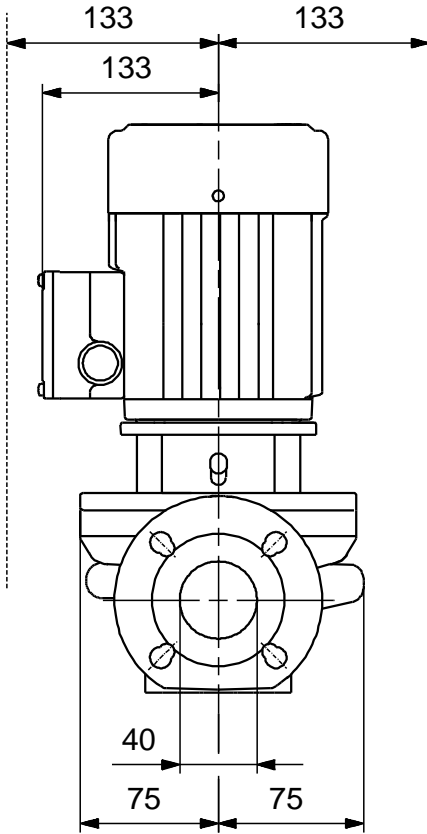
Phone:

Date:

19/12/2017

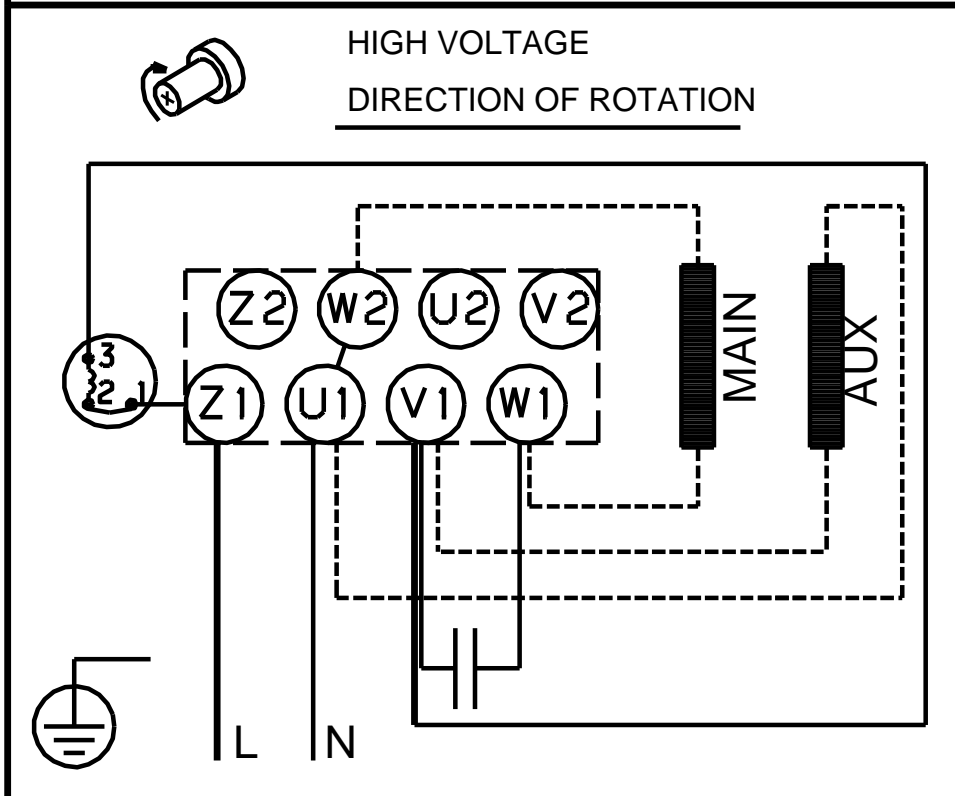
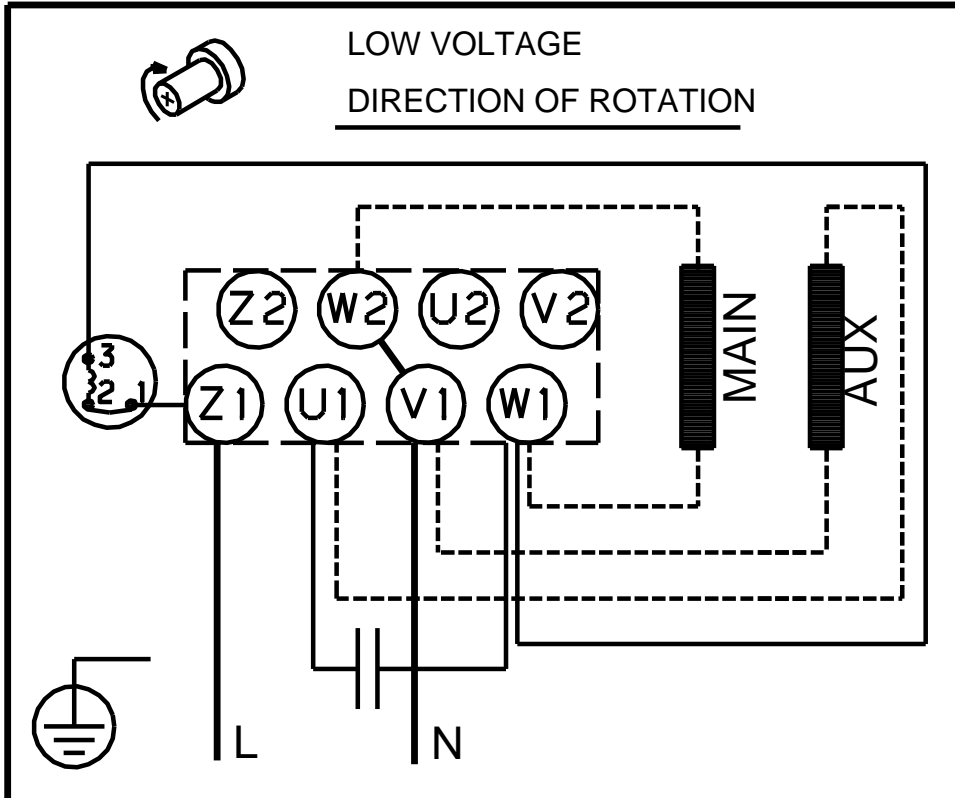
Description	Value
Motor No:	85215101
<b>Others:</b>	
Minimum efficiency index, MEI :	0.70
ErP status:	EuP Standalone/Prod.
Net weight:	21 kg
Gross weight:	24.5 kg
Shipping volume:	0.06 m <sup>3</sup>

## 98957960 TP 40-60/2 50 Hz



Note! All units are in [mm] unless others are stated.  
Disclaimer: This simplified dimensional drawing does not show all details.

## 98957960 TP 40-60/2 50 Hz



Note! All units are in [mm] unless others are stated.