


Position	Qty.	Description
	1	<p><b>TP 32-120/2 B A-F-Z-BQQE</b></p>  <p>Note! Product picture may differ from actual product</p> <p>Product No.: <a href="#">98957952</a></p> <p>Single-stage, close-coupled, volute pump with in-line suction and discharge ports of identical diameter. The pump is of the top-pull-out design, i.e. the power head (motor, pump head and impeller) can be removed for maintenance or service while the pump housing remains in the pipework.</p> <p>The pump is fitted with an unbalanced rubber bellows seal. The shaft seal is according to EN 12756. Pipework connection is via PN 6/10 DIN flanges (EN 1092-2 and ISO 7005-2).</p> <p>The pump is fitted with a fan-cooled asynchronous motor.</p> <p><b>Liquid:</b>  Pumped liquid: Water  Liquid temperature range: -25 .. 120 °C  Liquid temperature during operation: 20 °C  Density: 998.2 kg/m<sup>3</sup></p> <p><b>Technical:</b>  Speed for pump data: 2890 rpm  Rated flow: 8.6 m<sup>3</sup>/h  Rated head: 7 m  Primary shaft seal: BQQE  Curve tolerance: ISO9906:2012 3B</p> <p><b>Materials:</b>  Pump housing: Bronze  DIN W.-Nr. 2.1050  ASTM B505-C90700  Impeller: Stainless steel  DIN W.-Nr. 1.4301  AISI 304</p> <p><b>Installation:</b>  Range of ambient temperature: -30 .. 40 °C  Maximum operating pressure: 10 bar  Flange standard: DIN  Pipe connection: DN 32  Pressure stage: PN 6/10  Port-to-port length: 220 mm  Flange size for motor: FT85</p> <p><b>Electrical data:</b>  Motor type: 71B  IE Efficiency class: NA  Rated power - P2: 0.37 kW  Power (P2) required by pump: 0.37 kW  Mains frequency: 50 Hz  Rated voltage: 1 x 220-230/240 V</p>



Company name:

Created by:

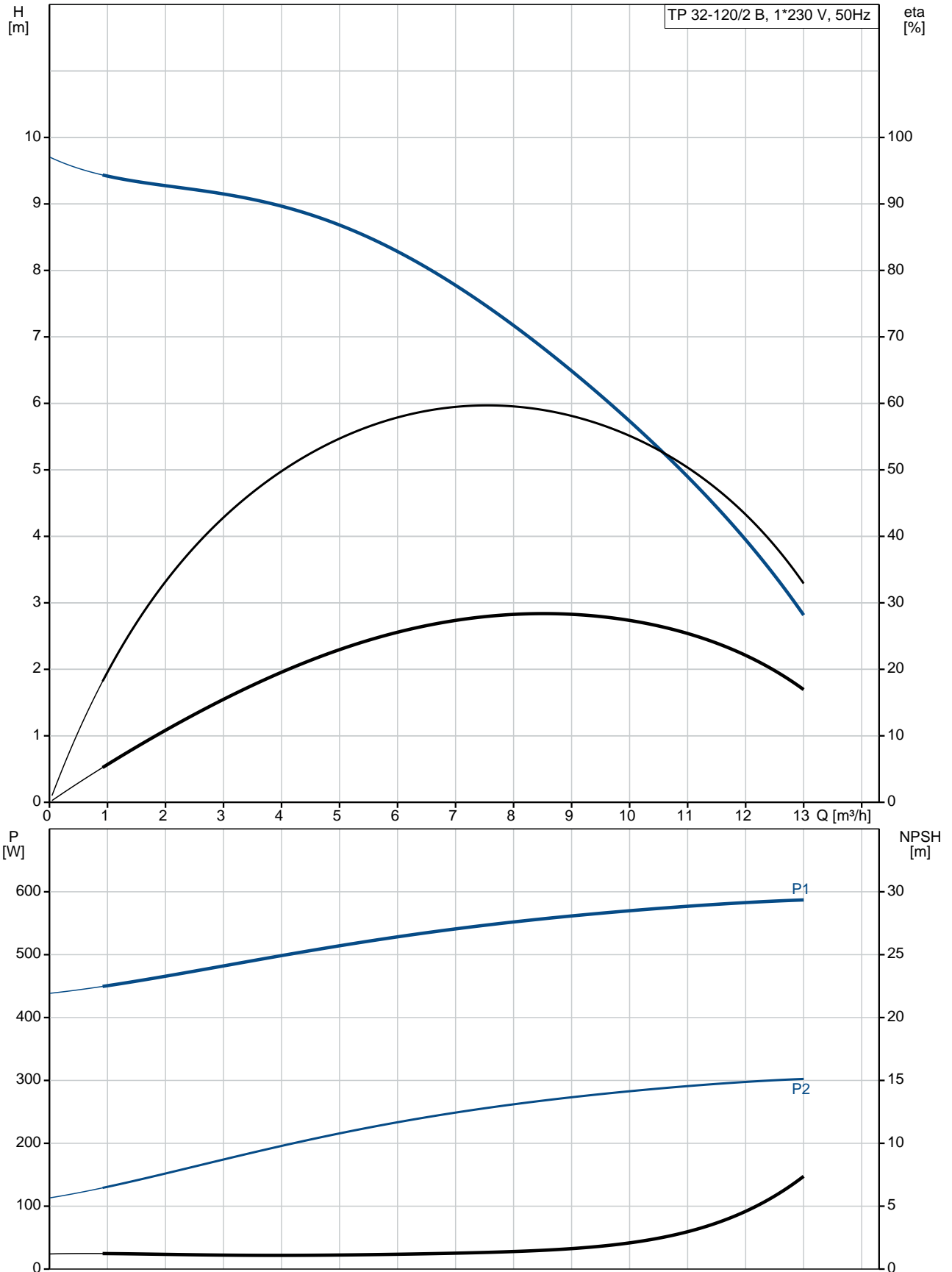
Phone:

Date:

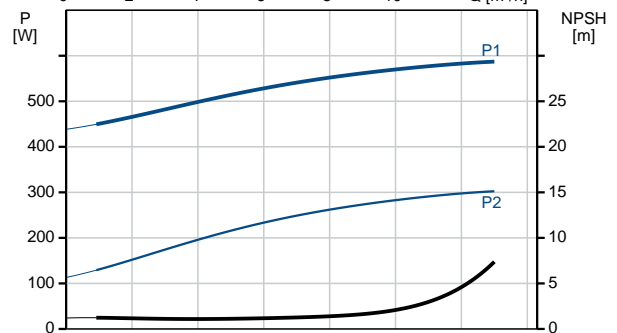
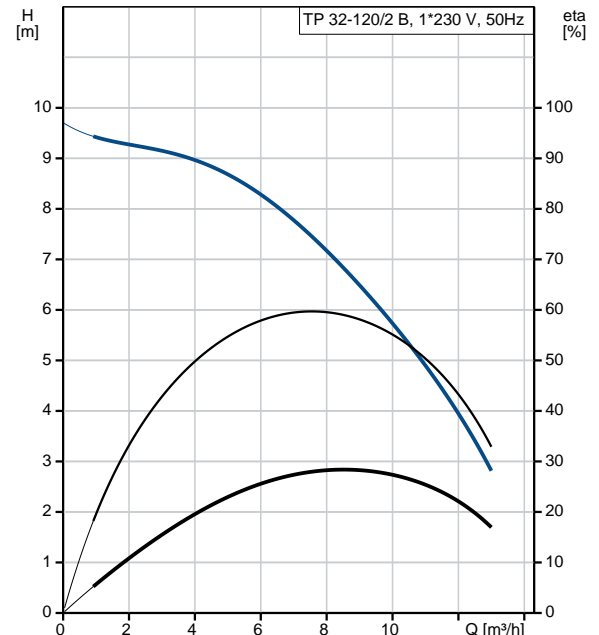
30/06/2017

Position	Qty.	Description
		Rated current: 2,95/2,70 A Starting current: 280 % Cos phi - power factor: 0,99 Rated speed: 2770 rpm Motor efficiency at full load: 60.0-56.0 % Number of poles: 2 Enclosure class (IEC 34-5): 55 Dust/Jetting Insulation class (IEC 85): F  <b>Others:</b> Minimum efficiency index, MEI : 0.40 ErP status: EuP Standalone/Prod. Net weight: 22.4 kg Gross weight: 25.9 kg Shipping volume: 0.06 m <sup>3</sup>

## 98957952 TP 32-120/2 B 50 Hz



Description	Value
<b>General information:</b>	
Product name:	TP 32-120/2 B A-F-Z-BQQE
Product No:	<a href="#">98957952</a>
EAN number:	5712604244197
<b>Technical:</b>	
Speed for pump data:	2890 rpm
Rated flow:	8.6 m³/h
Rated head:	7 m
Head max:	120 dm
Primary shaft seal:	BQQE
Curve tolerance:	ISO9906:2012 3B
Pump version:	A
Model:	A
<b>Materials:</b>	
Pump housing:	Bronze DIN W.-Nr. 2.1050 ASTM B505-C90700
Impeller:	Stainless steel DIN W.-Nr. 1.4301 AISI 304
Material code:	Z
<b>Installation:</b>	
Range of ambient temperature:	-30 .. 40 °C
Maximum operating pressure:	10 bar
Flange standard:	DIN
Connect code:	F
Pipe connection:	DN 32
Pressure stage:	PN 6/10
Port-to-port length:	220 mm
Flange size for motor:	FT85
<b>Liquid:</b>	
Pumped liquid:	Water
Liquid temperature range:	-25 .. 120 °C
Liquid temperature during operation:	20 °C
Density:	998.2 kg/m³
<b>Electrical data:</b>	
Motor type:	71B
IE Efficiency class:	NA
Rated power - P2:	0.37 kW
Power (P2) required by pump:	0.37 kW
Mains frequency:	50 Hz
Rated voltage:	1 x 220-230/240 V
Rated current:	2,95/2,70 A
Starting current:	280 %
Cos phi - power factor:	0,99
Rated speed:	2770 rpm
Motor efficiency at full load:	60.0-56.0 %
Number of poles:	2
Enclosure class (IEC 34-5):	55 Dust/Jetting
Insulation class (IEC 85):	F
Motor protec:	PTO
Motor No:	85215102
<b>Others:</b>	





Company name:

Created by:

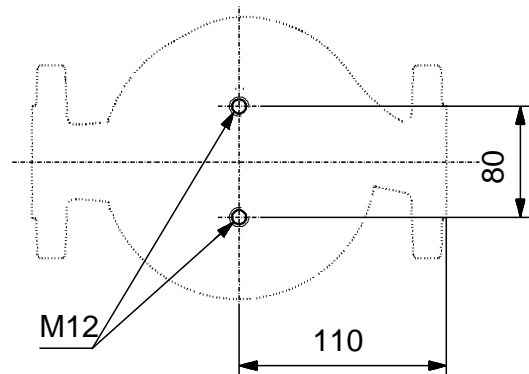
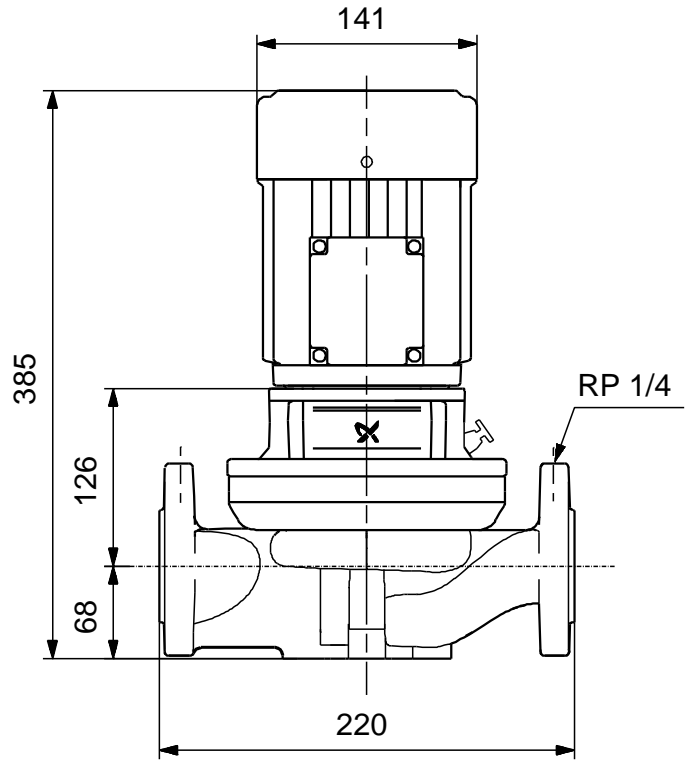
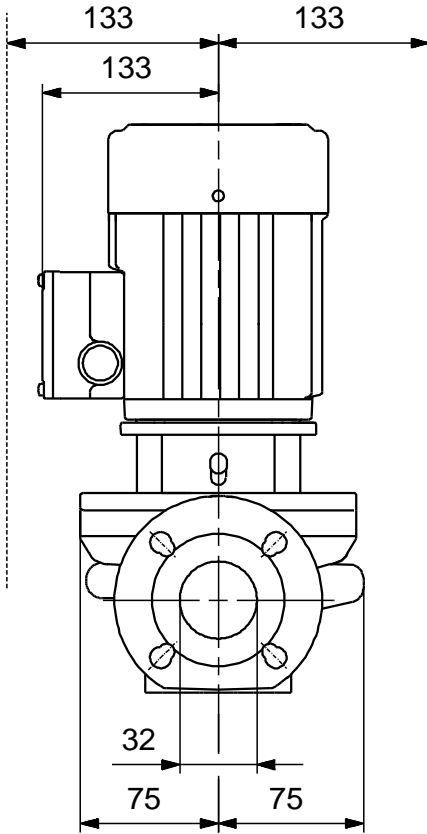
Phone:

Date:

30/06/2017

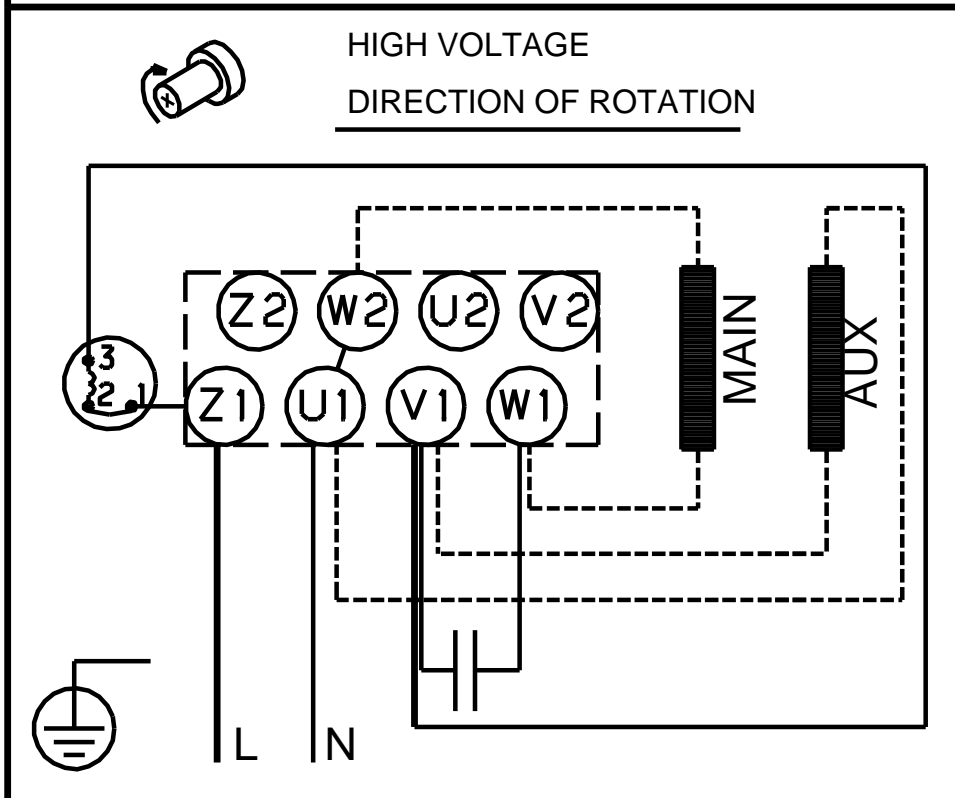
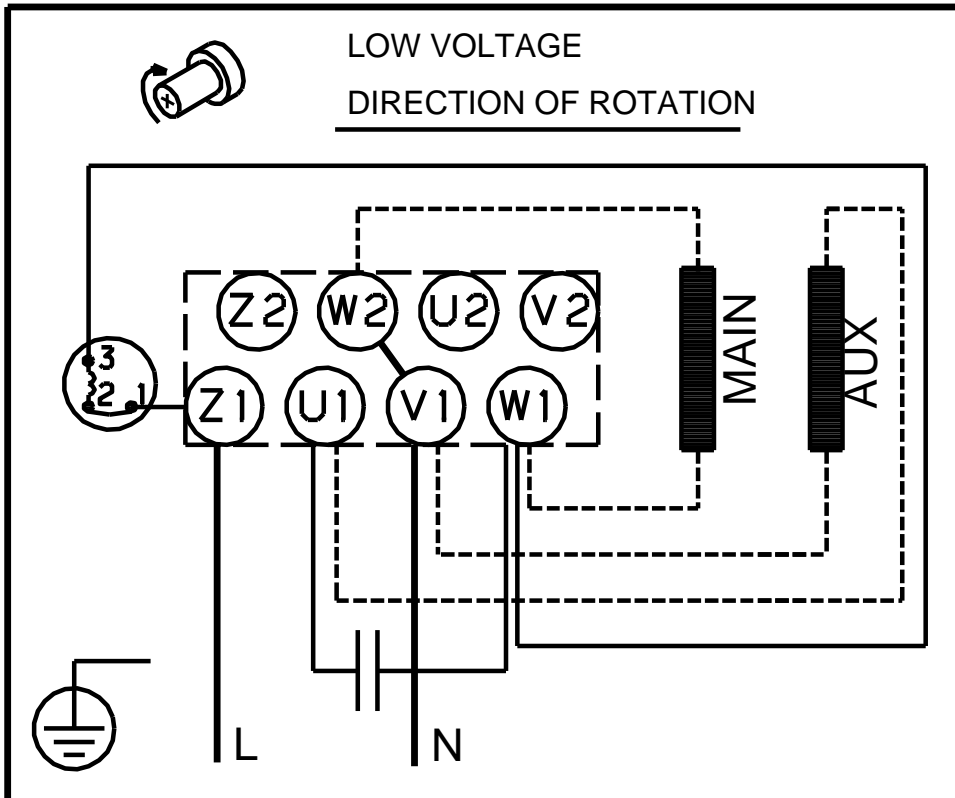
Description	Value
Minimum efficiency index, MEI :	0.40
ErP status:	EuP Standalone/Prod.
Net weight:	22.4 kg
Gross weight:	25.9 kg
Shipping volume:	0.06 m <sup>3</sup>

## 98957952 TP 32-120/2 B 50 Hz



Note! All units are in [mm] unless others are stated.  
Disclaimer: This simplified dimensional drawing does not show all details.

## 98957952 TP 32-120/2 B 50 Hz



Note! All units are in [mm] unless others are stated.