


Position	Qty.	Description
	1	<p>TP 32-60/2 B A-F-Z-BQQE</p>  <p>Note! Product picture may differ from actual product</p> <p>Product No.: 98957950</p> <p>Single-stage, close-coupled, volute pump with in-line suction and discharge ports of identical diameter. The pump is of the top-pull-out design, i.e. the power head (motor, pump head and impeller) can be removed for maintenance or service while the pump housing remains in the pipework.</p> <p>The pump is fitted with an unbalanced rubber bellows seal. The shaft seal is according to EN 12756. Pipework connection is via PN 6/10 DIN flanges (EN 1092-2 and ISO 7005-2).</p> <p>The pump is fitted with a fan-cooled asynchronous motor.</p> <p>Liquid: Pumped liquid: Water Liquid temperature range: -25 .. 120 °C Liquid temperature during operation: 20 °C Density: 998.2 kg/m³</p> <p>Technical: Speed for pump data: 2890 rpm Rated flow: 7.5 m³/h Rated head: 3.6 m Primary shaft seal: BQQE Curve tolerance: ISO9906:2012 3B</p> <p>Materials: Pump housing: Bronze DIN W.-Nr. 2.1050 ASTM B505-C90700 Impeller: Stainless steel DIN W.-Nr. 1.4301 AISI 304</p> <p>Installation: Range of ambient temperature: -30 .. 40 °C Maximum operating pressure: 10 bar Flange standard: DIN Pipe connection: DN 32 Pressure stage: PN 6/10 Port-to-port length: 220 mm Flange size for motor: FT75</p> <p>Electrical data: Motor type: 71A IE Efficiency class: NA Rated power - P2: 0.25 kW Power (P2) required by pump: 0.25 kW Mains frequency: 50 Hz Rated voltage: 1 x 220-240 V</p>



Company name:

Created by:

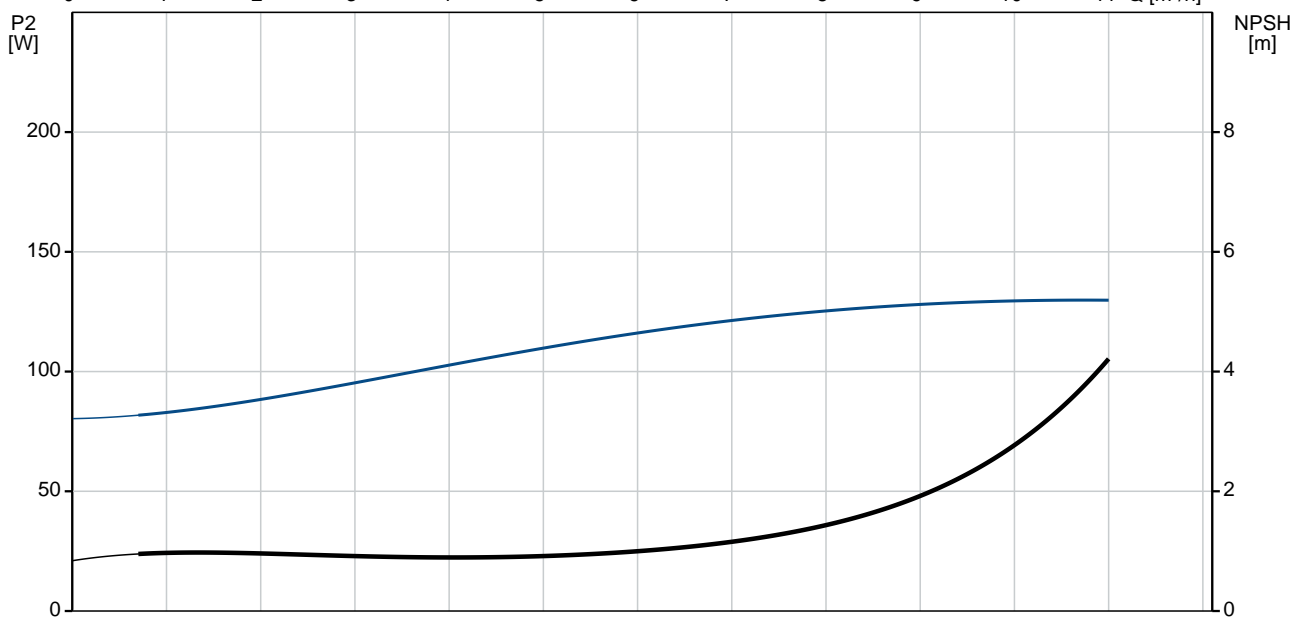
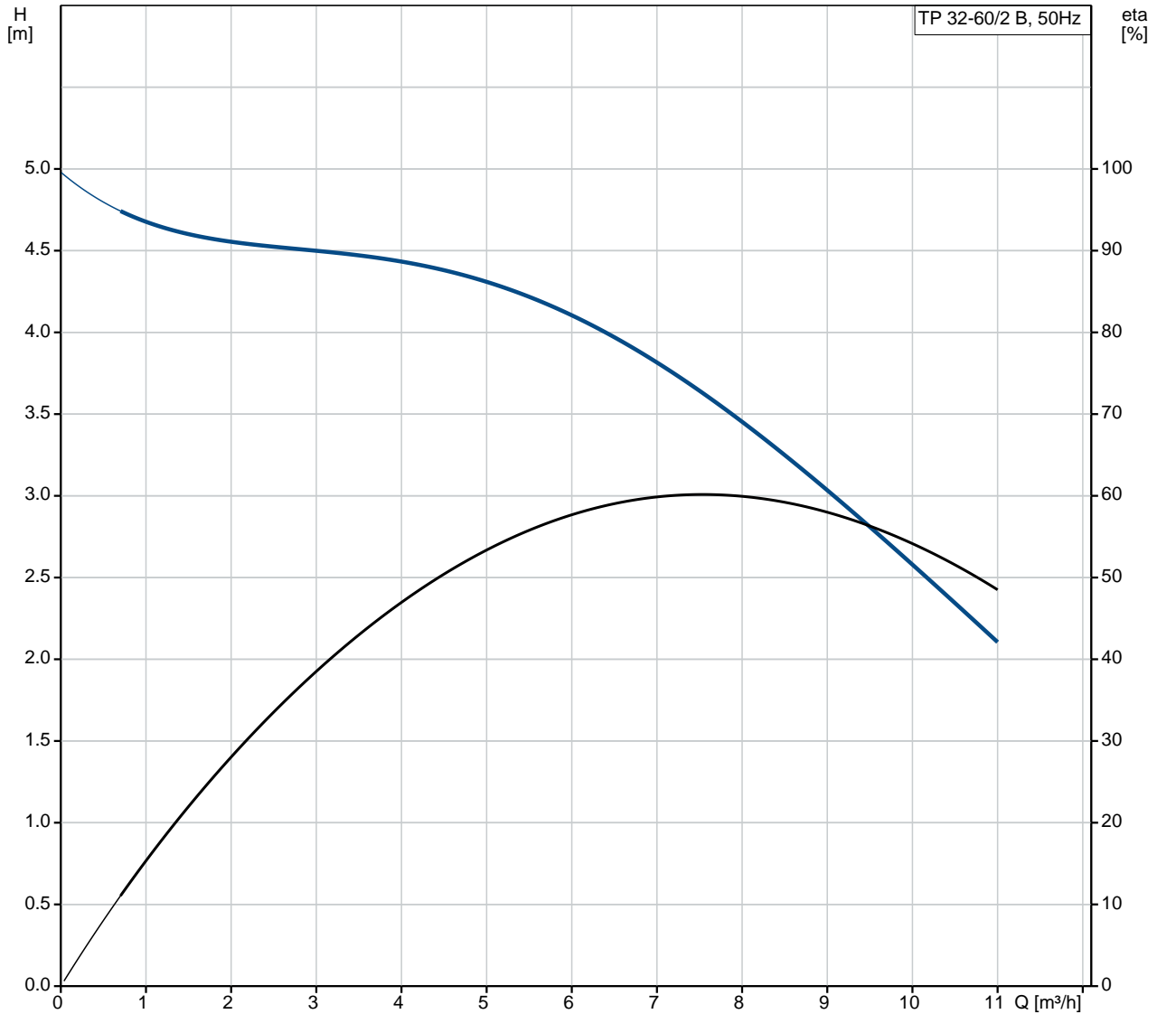
Phone:

Date:

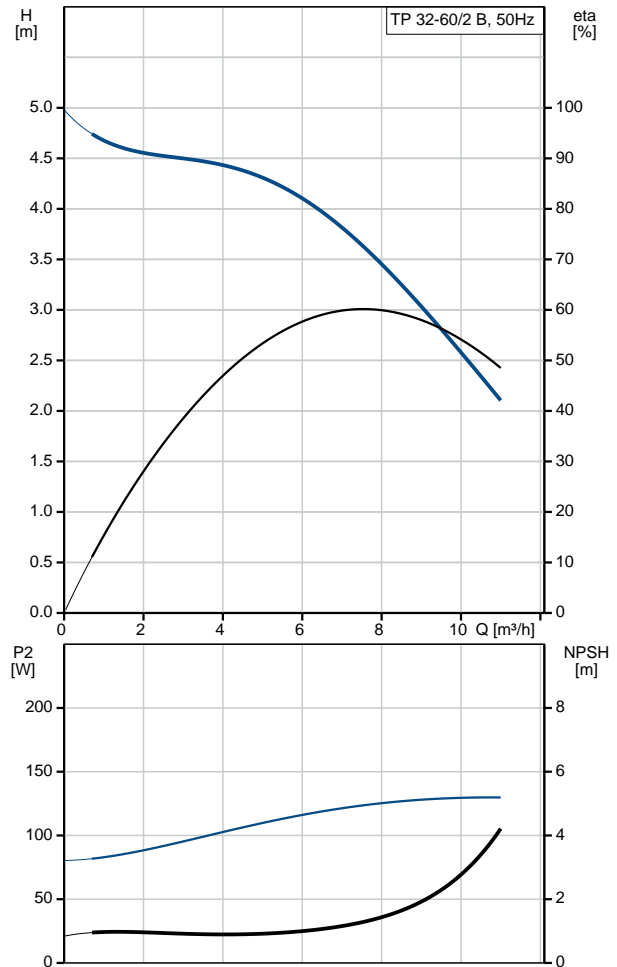
30/06/2017

Position	Qty.	Description
		Rated current: 1,75-2,04 A Starting current: 540-520 % Cos phi - power factor: 0,94 Rated speed: 2870-2880 rpm Motor efficiency at full load: 68.8-61.8 % Number of poles: 2 Enclosure class (IEC 34-5): 55 Dust/Jetting Insulation class (IEC 85): F Others: Minimum efficiency index, MEI : 0.56 ErP status: EuP Standalone/Prod. Net weight: 19.3 kg Gross weight: 22.8 kg Shipping volume: 0.06 m ³

98957950 TP 32-60/2 B 50 Hz



Description	Value
General information:	
Product name:	TP 32-60/2 B A-F-Z-BQQE
Product No:	98957950
EAN number:	5712604244173
Technical:	
Speed for pump data:	2890 rpm
Rated flow:	7.5 m ³ /h
Rated head:	3.6 m
Head max:	60 dm
Primary shaft seal:	BQQE
Curve tolerance:	ISO9906:2012 3B
Pump version:	A
Model:	A
Materials:	
Pump housing:	Bronze DIN W.-Nr. 2.1050 ASTM B505-C90700
Impeller:	Stainless steel DIN W.-Nr. 1.4301 AISI 304
Material code:	Z
Installation:	
Range of ambient temperature:	-30 .. 40 °C
Maximum operating pressure:	10 bar
Flange standard:	DIN
Connect code:	F
Pipe connection:	DN 32
Pressure stage:	PN 6/10
Port-to-port length:	220 mm
Flange size for motor:	FT75
Liquid:	
Pumped liquid:	Water
Liquid temperature range:	-25 .. 120 °C
Liquid temperature during operation:	20 °C
Density:	998.2 kg/m ³
Electrical data:	
Motor type:	71A
IE Efficiency class:	NA
Rated power - P2:	0.25 kW
Power (P2) required by pump:	0.25 kW
Mains frequency:	50 Hz
Rated voltage:	1 x 220-240 V
Rated current:	1,75-2,04 A
Starting current:	540-520 %
Cos phi - power factor:	0,94
Rated speed:	2870-2880 rpm
Motor efficiency at full load:	68.8-61.8 %
Number of poles:	2
Enclosure class (IEC 34-5):	55 Dust/Jetting
Insulation class (IEC 85):	F
Motor protec:	PTO
Motor No:	98714253
Others:	





Company name:

Created by:

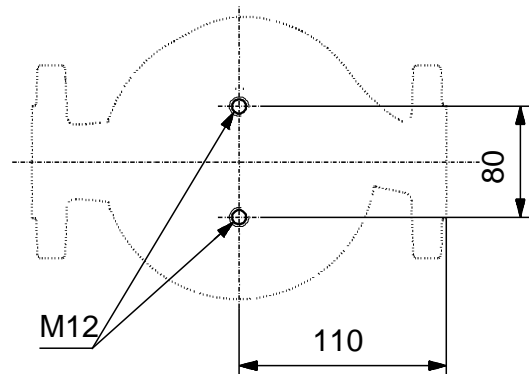
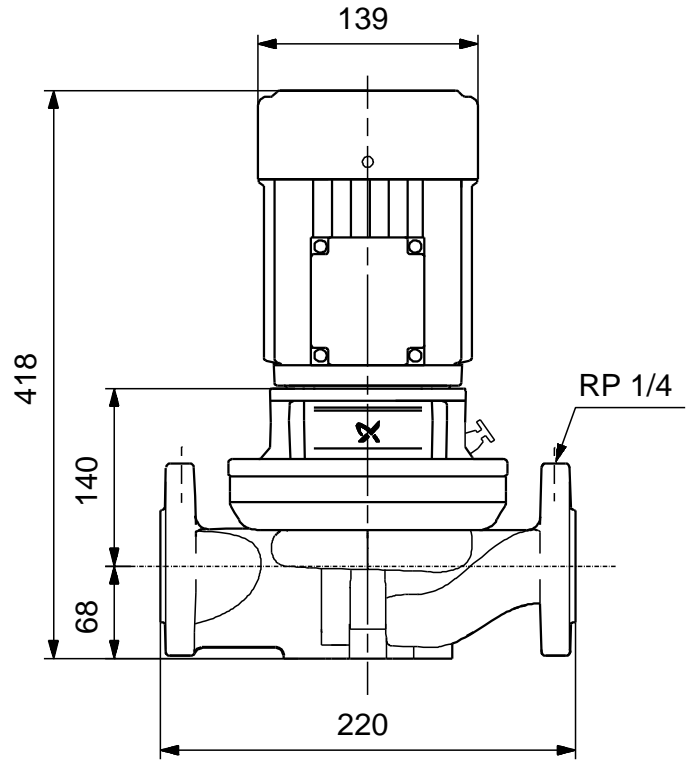
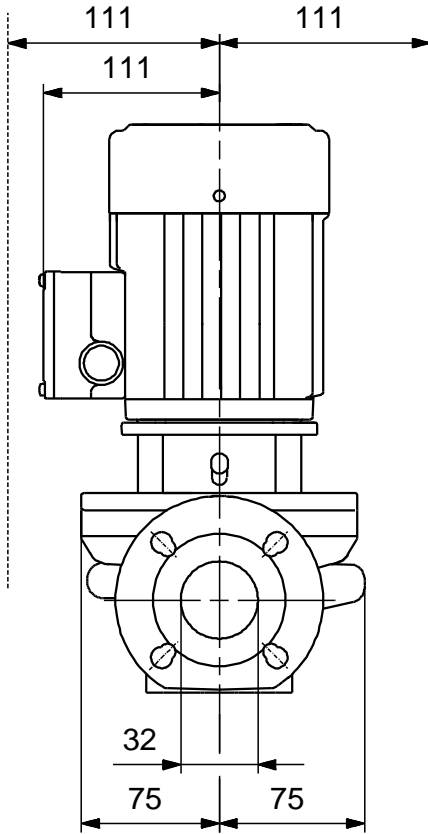
Phone:

Date:

30/06/2017

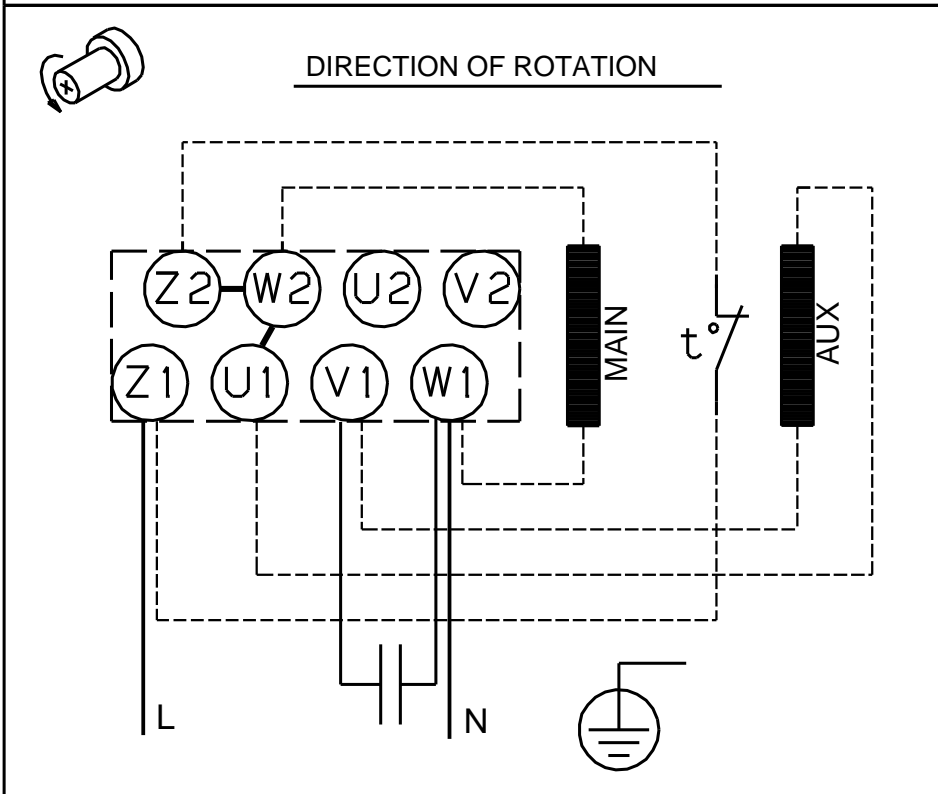
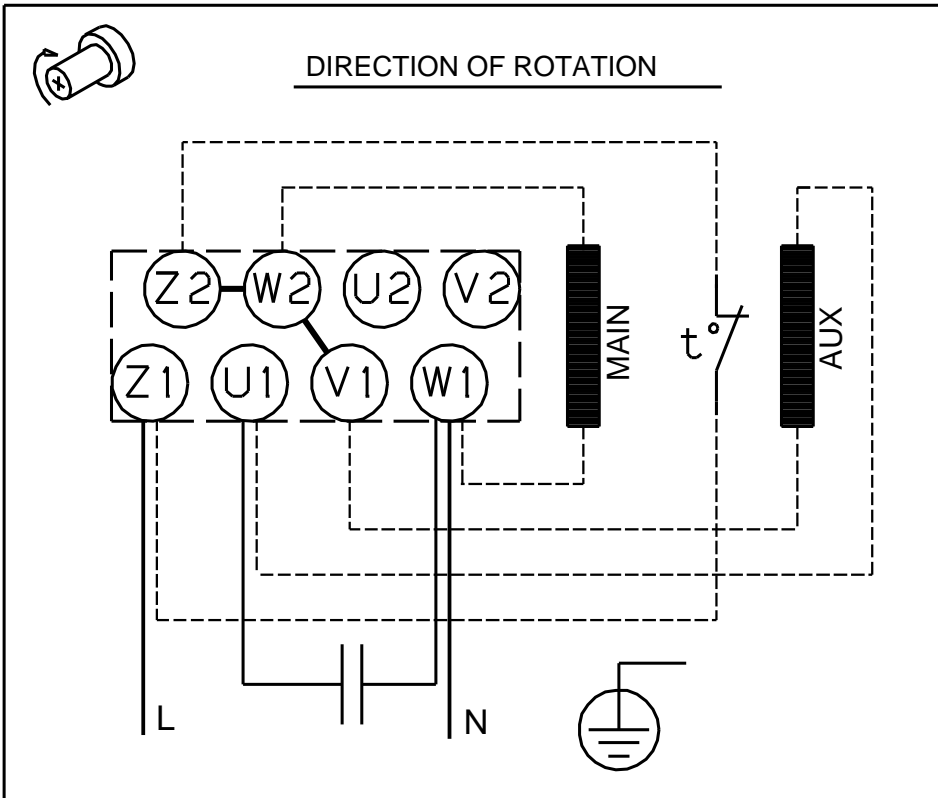
Description	Value
Minimum efficiency index, MEI :	0.56
ErP status:	EuP Standalone/Prod.
Net weight:	19.3 kg
Gross weight:	22.8 kg
Shipping volume:	0.06 m ³

98957950 TP 32-60/2 B 50 Hz



Note! All units are in [mm] unless others are stated.
Disclaimer: This simplified dimensional drawing does not show all details.

98957950 TP 32-60/2 B 50 Hz



Note! All units are in [mm] unless others are stated.