


Position	Qty.	Description
	1	<p><b>TPD 32-120/2 A-F-A-BQQE</b></p>  <p>Product No.: <a href="#">98906995</a></p> <p>Single-stage, close-coupled, volute twin-head pump with in-line suction and discharge ports of identical diameter. The twin-head pump is designed with two parallel power-heads. The pump is of the top-pull-out design, i.e. the power head (motor, pump head and impeller) can be removed for maintenance or service while the pump housing remains in the pipework.</p> <p>Each power head is fitted with an unbalanced rubber bellows seal. The shaft seal is according to EN 12756. Pipework connection is via PN 6/10 DIN flanges (EN 1092-2 and ISO 7005-2).</p> <p>Each power head is fitted with a fan-cooled asynchronous motor of identical size.</p> <p><b>Liquid:</b></p> <p>Pumped liquid: Water            Liquid temperature range: -25 .. 120 °C            Liquid temperature during operation: 20 °C            Density: 998.2 kg/m<sup>3</sup></p> <p><b>Technical:</b></p> <p>Rated flow: 7.5 m<sup>3</sup>/h            Rated head: 7.5 m            Actual impeller diameter: 84 mm            Primary shaft seal: BQQE            Curve tolerance: ISO9906:2012 3B</p> <p><b>Materials:</b></p> <p>Pump housing: Cast iron            EN-JL1040            ASTM A48-40 B</p> <p>Impeller: Stainless steel            DIN W.-Nr. 1.4301            AISI 304</p> <p><b>Installation:</b></p> <p>Range of ambient temperature: -30 .. 40 °C            Maximum operating pressure: 10 bar            Flange standard: DIN            Pipe connection: DN 32            Pump inlet: DN 32            Pump outlet: DN 32            Pressure rating: PN 6/10            (@): 220 mm            Flange size for motor: FT85</p> <p><b>Electrical data:</b></p> <p>Motor type: 71B            Rated power - P2: 2 x 0.37 kW            Mains frequency: 50 Hz            Rated voltage: 1 x 220-230/240 V            Rated current: 2.95/2.70 A</p>



Company name:

Created by:

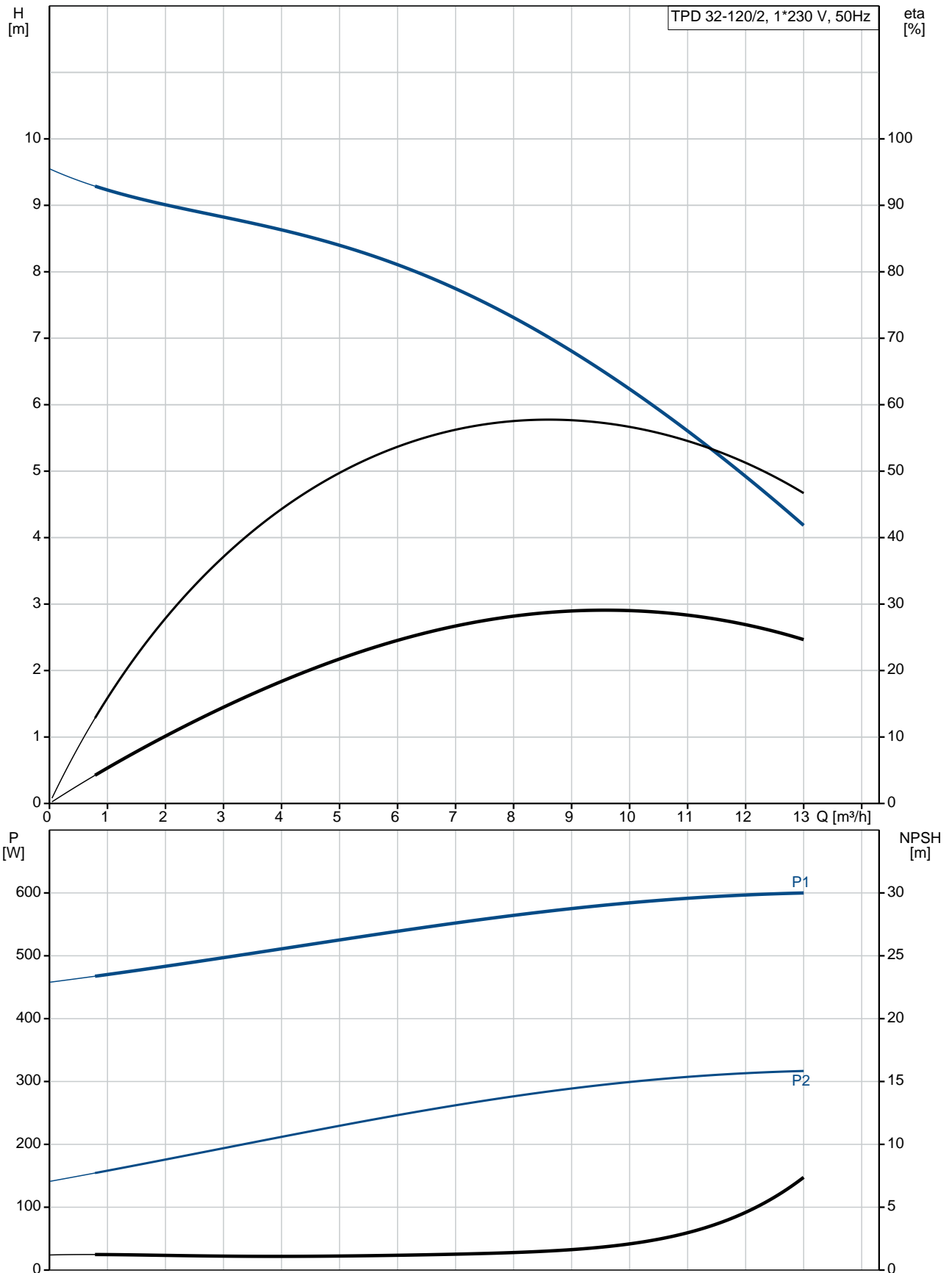
Phone:

Date:

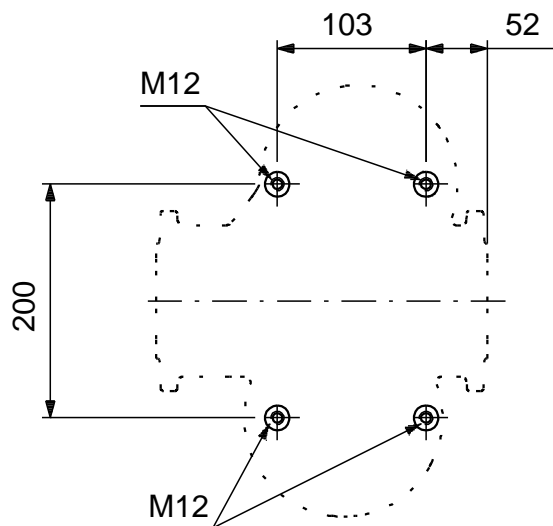
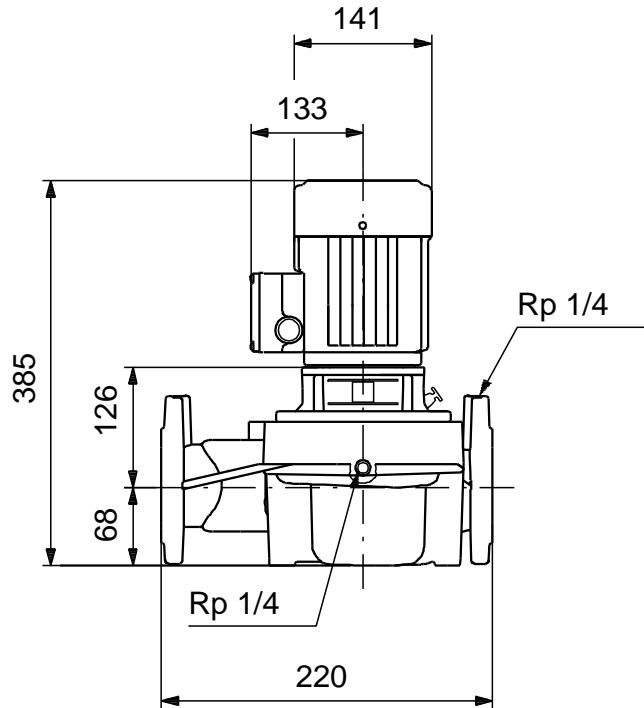
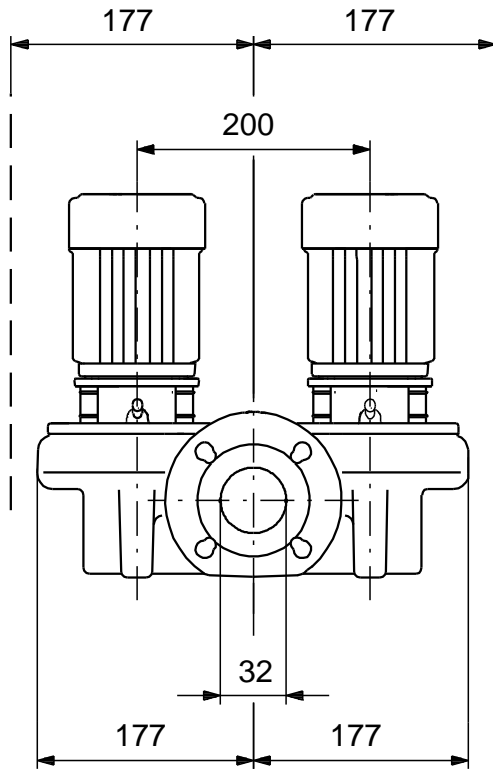
11/10/2018

Position	Qty.	Description
		Starting current: 280 % Cos phi - power factor: 0.99 Rated speed: 2770 rpm Motor efficiency at full load: 60.0-56.0 % Number of poles: 2 Enclosure class (IEC 34-5): 55 Dust/Jetting Insulation class (IEC 85): F  <b>Others:</b> Minimum efficiency index, MEI : 0.39 ErP status: EuP Standalone/Prod. Net weight: 41.8 kg Gross weight: 48.8 kg Shipping volume: 0.08 m <sup>3</sup>

## 98906995 TPD 32-120/2 A-F-A-BQQE 50 Hz

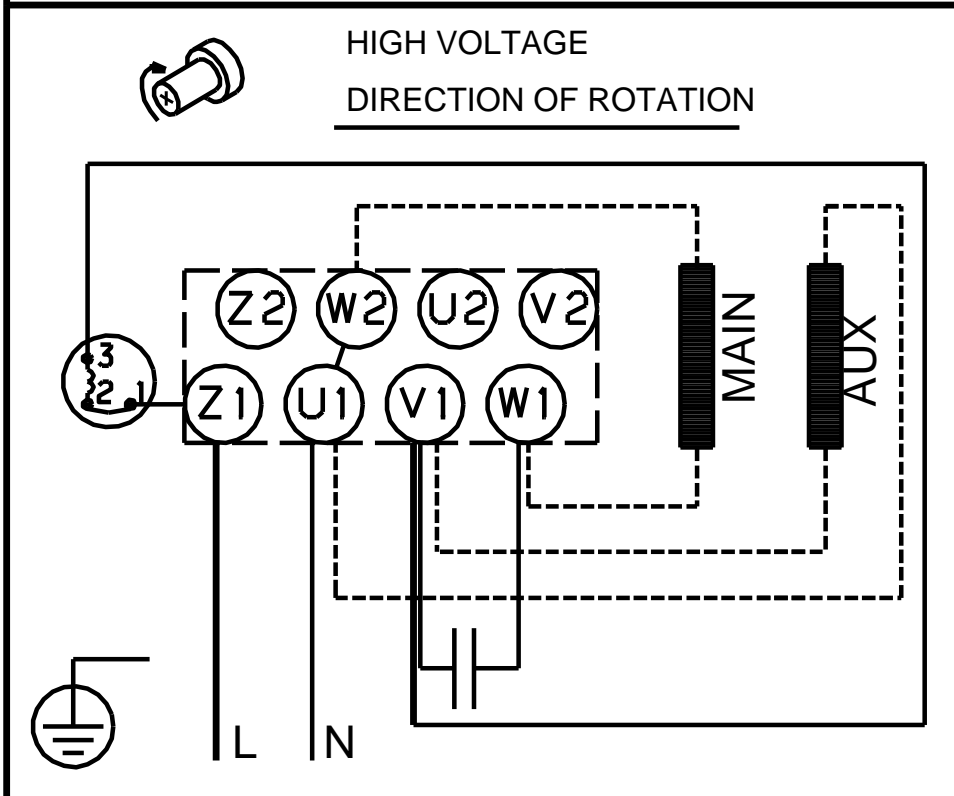
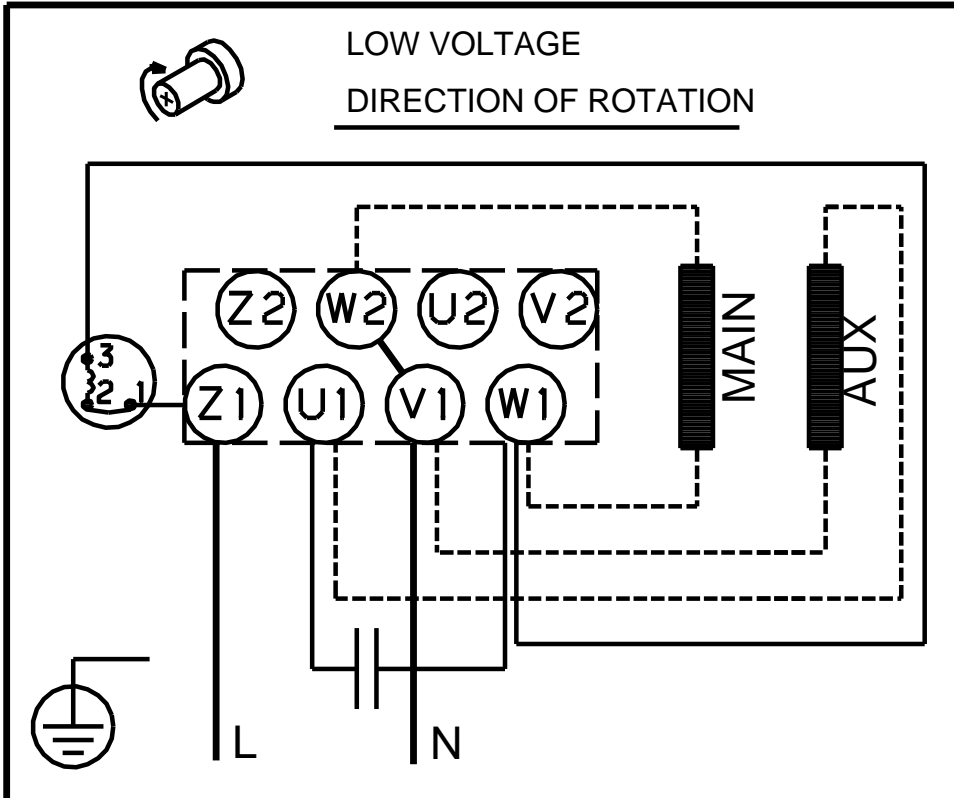


## 98906995 TPD 32-120/2 A-F-A-BQQE 50 Hz



Note! All units are in [mm] unless others are stated.  
Disclaimer: This simplified dimensional drawing does not show all details.

## 98906995 TPD 32-120/2 A-F-A-BQQE 50 Hz



Note! All units are in [mm] unless others are stated.