


Count	Description
1	<p data-bbox="225 342 319 365">SP 9-86</p> <div data-bbox="389 396 448 777" style="text-align: center;">  </div> <p data-bbox="619 770 1070 792" style="text-align: center;">Product photo could vary from the actual product</p> <p data-bbox="225 801 491 824">Product No.: 98901304</p> <p data-bbox="225 864 1406 936">Submersible borehole pump, suitable for pumping clean water. Can be installed vertically or horizontally. All steel components are made in stainless steel, EN 1.4301 (AISI 304), that ensures high corrosive resistance. This pump carries drinking water approval.</p> <p data-bbox="225 949 1449 1021">The pump is fitted with a 25 kW MS6000 motor with sand shield, mechanical shaft seal, water-lubricated journal bearings and a volume compensating diaphragm. The motor is a canned type submersible motor offering good mechanical stability and high efficiency. Suitable for temperatures up to 40 °C.</p> <p data-bbox="225 1034 1437 1084">The motor is fitted with the Grundfos Tempcon sensor that, by use of powerline communication together with a MP204 control panel, enables temperature monitoring.</p> <p data-bbox="225 1093 719 1115">The motor is for direct-on-line starting (DOL).</p> <p data-bbox="225 1182 311 1205">Liquid:</p> <p data-bbox="225 1214 735 1357">Pumped liquid: Water Maximum liquid temperature: 104 °F Max liquid temperature at 0.15 m/sec: 104 °F Selected liquid temperature: 68 °F Density: 62.29 lb/ft³</p> <p data-bbox="225 1393 347 1415">Technical:</p> <p data-bbox="225 1424 826 1626">Pump speed on which pump data is based: 2900 rpm Rated flow: 39.6 US gpm Rated head: 1500 ft Shaft seal for motor: CER/CARNBR Approvals on nameplate: CE,GOST2 Curve tolerance: ISO9906:2012 3B Motor version: T40</p> <p data-bbox="225 1662 343 1684">Materials:</p> <p data-bbox="225 1693 794 1953">Pump: Stainless steel EN 1.4301 AISI 304 Impeller: Stainless steel EN 1.4301 AISI 304 Motor: Stainless steel DIN W.-Nr. 1.4301 AISI 304</p> <p data-bbox="225 1989 368 2011">Installation:</p> <p data-bbox="225 2020 655 2069">Pump outlet: R2 Motor diameter: 6 inch</p>



Company name:

Created by:

Phone:

Date:

6/17/2019

Count	Description
	Electrical data:
	Motor type: MS6000
	Rated power - P2: 25 HP
	Power (P2) required by pump: 25 HP
	Main frequency: 50 Hz
	Rated voltage: 3 x 380-400-415 V
	Rated current: 42.0-41.0-41.5 A
	Starting current: 510-560-580 %
	Cos phi - power factor: 0.85-0.82-0.79
	Rated speed: 2860-2880-2890 rpm
	Start. method: direct-on-line
	Enclosure class (IEC 34-5): IP68
	Insulation class (IEC 85): F
	Built-in temperature transmitter: yes
	Motor Number: 78195517
	Others:
	Minimum efficiency index, MEI : 0.70
	ErP status: EuP Standalone/Prod.
	Net weight: 329 lb
	Gross weight: 472 lb
	Shipping volume: 22.4 ft ³
	Danish VVS No.: 388461386



Company name:

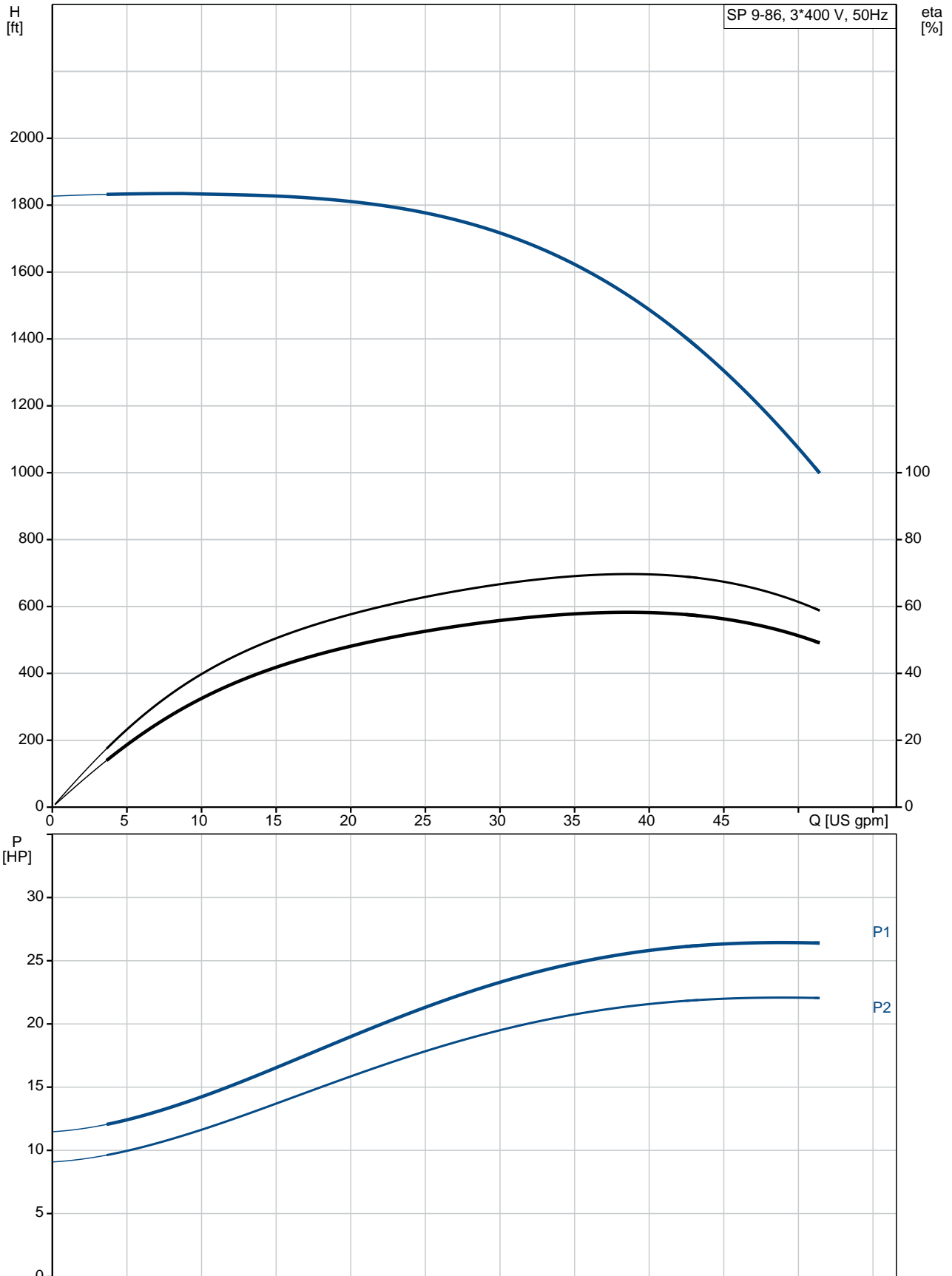
Created by:

Phone:

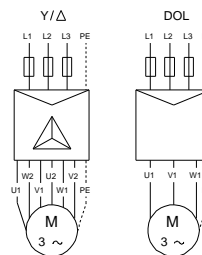
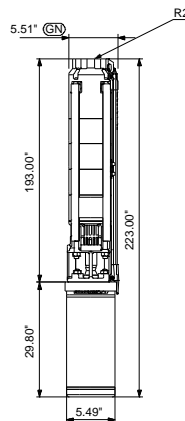
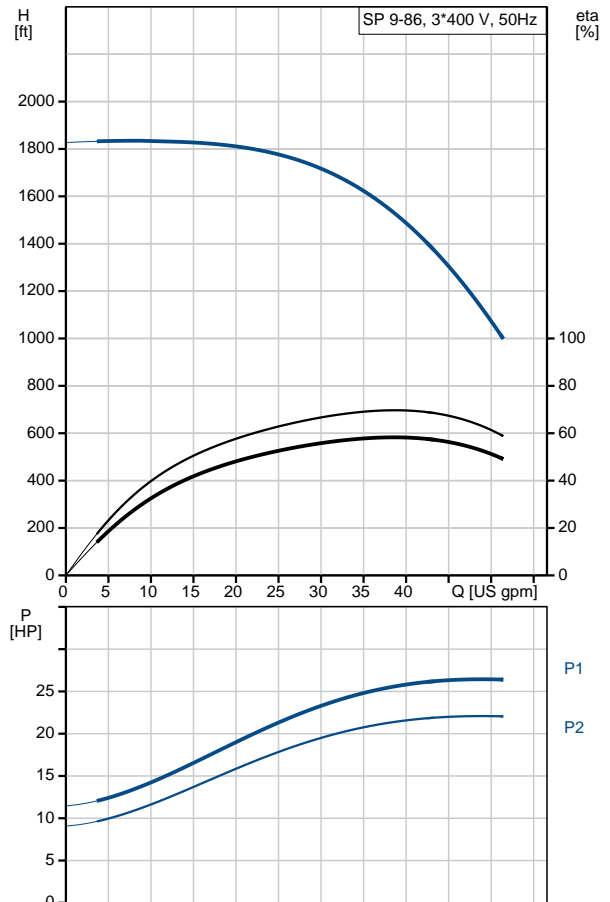
Date:

6/17/2019

98901304 SP 9-86 50 Hz



Description	Value
General information:	
Product name:	SP 9-86
Product No.:	98901304
EAN:	5712603262178
Technical:	
Pump speed on which pump data is based:	2900 rpm
Rated flow:	39.6 US gpm
Rated head:	1500 ft
Stages:	86
Impeller reduc.:	NONE
Shaft seal for motor:	CER/CARNBR
Approvals on nameplate:	CE,GOST2
Curve tolerance:	ISO9906:2012 3B
Model:	A
Valve:	YES
Motor version:	T40
Materials:	
Pump:	Stainless steel EN 1.4301 AISI 304
Impeller:	Stainless steel EN 1.4301 AISI 304
Motor:	Stainless steel DIN W.-Nr. 1.4301 AISI 304
Installation:	
Pump outlet:	R2
Motor diameter:	6 inch
Liquid:	
Pumped liquid:	Water
Maximum liquid temperature:	104 °F
Max liquid temperature at 0.15 m/sec:	104 °F
Selected liquid temperature:	68 °F
Density:	62.29 lb/ft ³
Electrical data:	
Motor type:	MS6000
Applic. motor:	NEMA
Rated power - P2:	25 HP
Power (P2) required by pump:	25 HP
Main frequency:	50 Hz
Rated voltage:	3 x 380-400-415 V
Rated current:	42.0-41.0-41.5 A
Starting current:	510-560-580 %
Cos phi - power factor:	0.85-0.82-0.79
Rated speed:	2860-2880-2890 rpm
Start. method:	direct-on-line
Enclosure class (IEC 34-5):	IP68
Insulation class (IEC 85):	F
Motor protection:	NONE
Thermal protec:	external
Built-in temperature transmitter:	yes
Motor Number:	78195517
Others:	
Minimum efficiency index, MEI :	0.70
ErP status:	EuP Standalone/Prod.
Net weight:	329 lb



U1, W2	Brown
V1, U2	Black
W1, V2	Grey



Company name:

Created by:

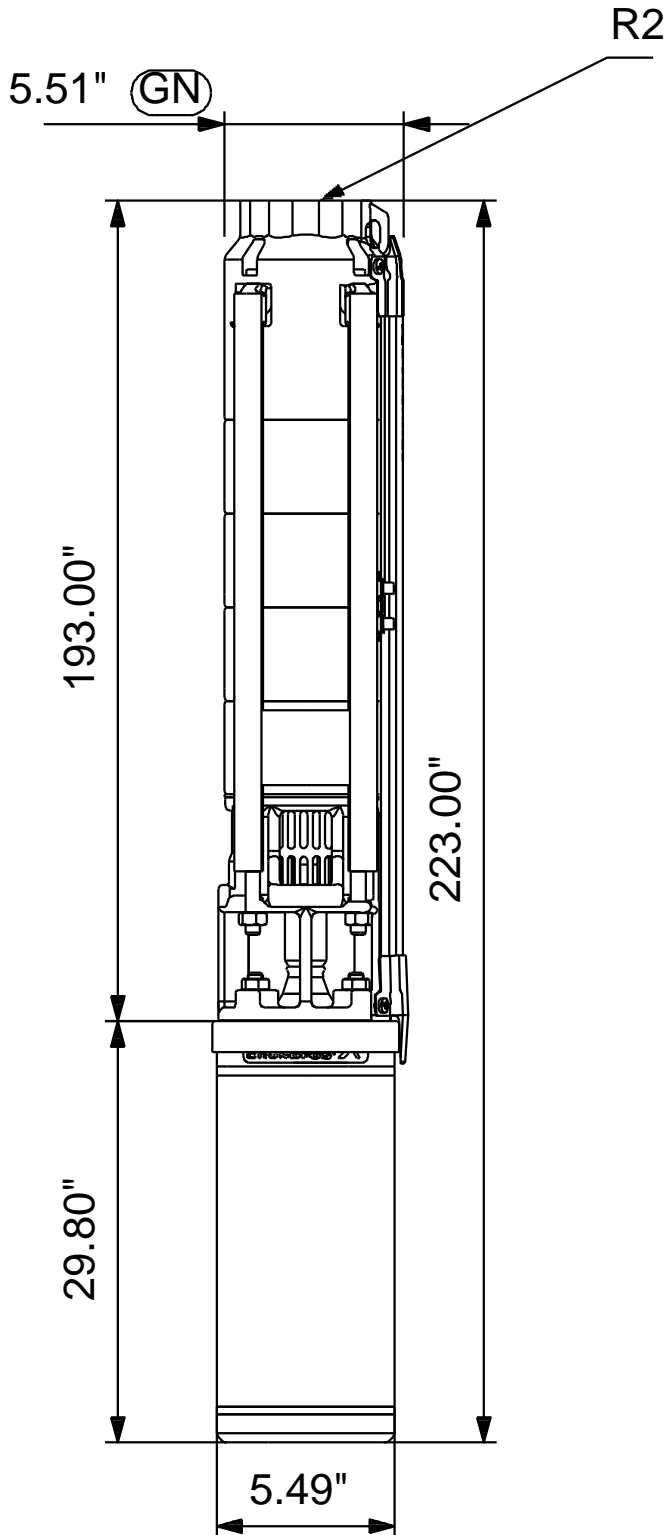
Phone:

Date:

6/17/2019

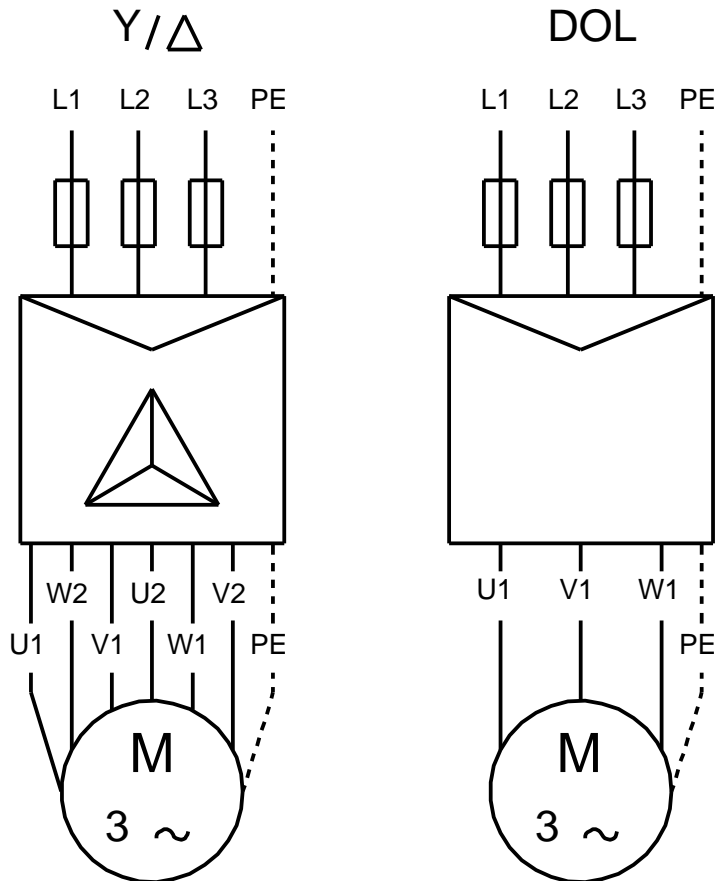
Description	Value
Gross weight:	472 lb
Shipping volume:	22.4 ft ³
Danish VVS No.:	388461386

98901304 SP 9-86 50 Hz



Note! All units are in [in] unless otherwise stated.
Disclaimer: This simplified dimensional drawing does not show all details.

98901304 SP 9-86 50 Hz



U1, W2	Brown
V1, U2	Black
W1, V2	Grey

All units are [in] unless otherwise presented.



Company name:

Created by:

Phone:

Date:

6/17/2019

Order Data:

Product name: SP 9-86

Amount: 1

Product No.: 98901304

Total: Price on request
