


Position	Count	Description
	1	<p>CM5-9 A-R-I-E-AQQE</p>  <p>Product No.: 98896343</p> <p>Compact, reliable, horizontal, multistage, end-suction centrifugal pump with axial suction port and radial discharge port. Pump materials in contact with the liquid are in stainless steel. The mechanical shaft seal is a special designed, unbalanced O-ring seal. Pipework connection is via internal Whitworth pipe threads, Rp (ISO 7/1).</p> <p>The pump is fitted with a 3-phase, foot-mounted, fan-cooled asynchronous motor.</p> <p>Liquid: Pumped liquid: Water Liquid temperature range: -4 .. 248 °F Liquid temperature during operation: 68 °F Density: 62.29 lb/ft³</p> <p>Technical: Rated flow: 20.7 US gpm Rated head: 230.7 ft Primary shaft seal: AQQE Approvals on nameplate: CE,WRAS,ACS,TR,EAC Curve tolerance: ISO9906:2012 3B</p> <p>Materials: Pump housing: Stainless steel DIN W.-Nr. 1.4301 AISI 304 Impeller: Stainless steel DIN W.-Nr. 1.4301 AISI 304 Rubber: EPDM</p> <p>Installation: Maximum ambient temperature: 131 °F Maximum operating pressure: 145 psi Max pressure at stated temperature: 145 psi / 250 °F Flange standard: WHITWORTH THREAD RP Pump inlet: Rp 1 1/4 Pump outlet: Rp 1</p> <p>Electrical data: Motor type: 90LC IE Efficiency class: IE3 Rated power - P2: 3 HP Main frequency: 50 Hz Rated voltage: 3 x 220-240D/380-415Y V Service factor: 1 Rated current: 7,70-7,40/4,45-4,30 A Starting current: 850-950 % Rated speed: 2890-2910 rpm Motor efficiency at full load: 85.9 %</p>



Company name:

Created by:

Phone:

Date:

10/4/2018

Position	Count	Description
		Enclosure class (IEC 34-5): IP55 Insulation class (IEC 85): F
		Others: Minimum efficiency index, MEI : 0.7 Net weight: 62.4 lb Gross weight: 67.9 lb Country of origin: HU Custom tariff no.: 84137075



Company name:

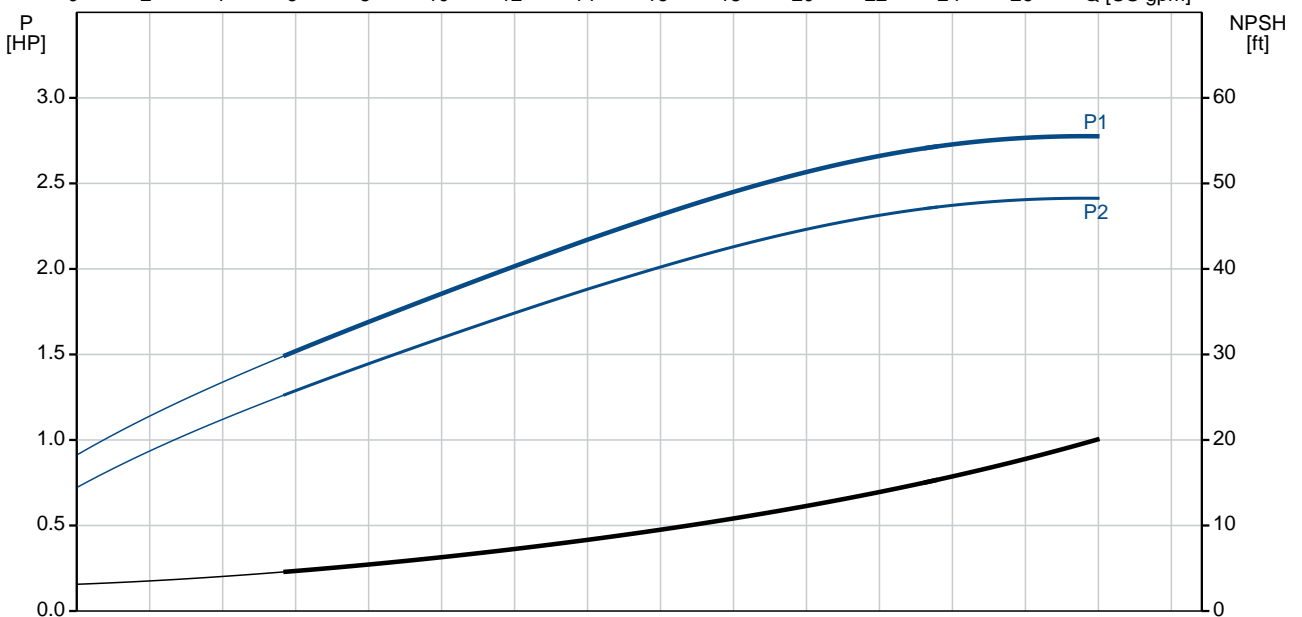
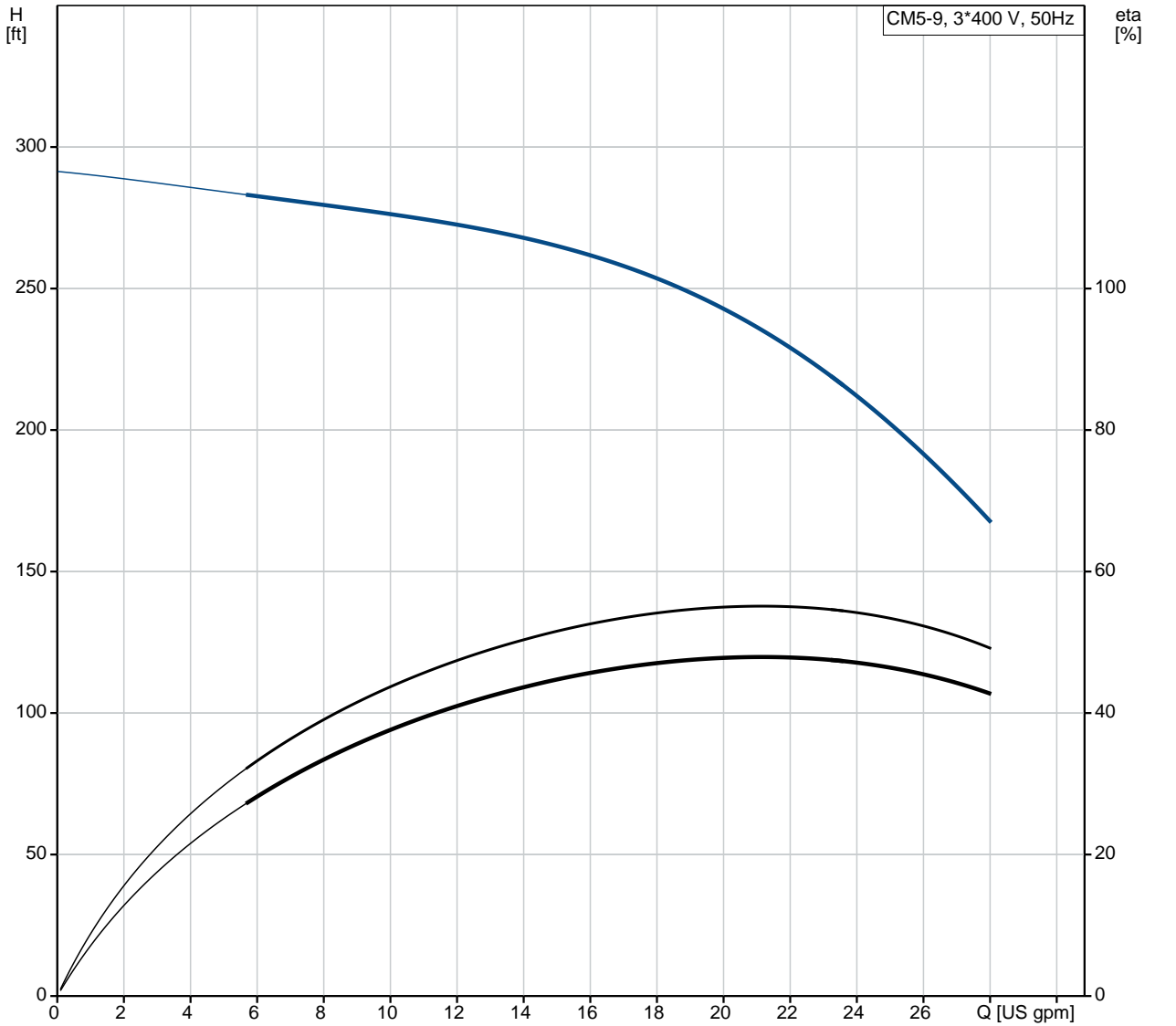
Created by:

Phone:

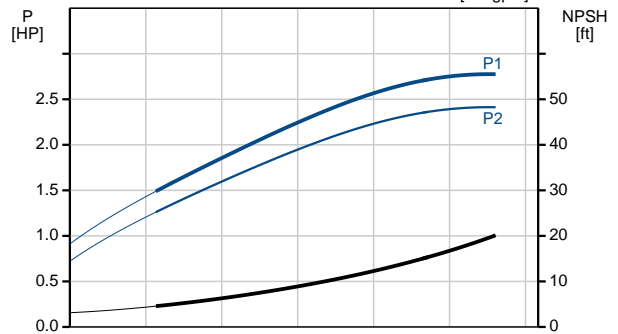
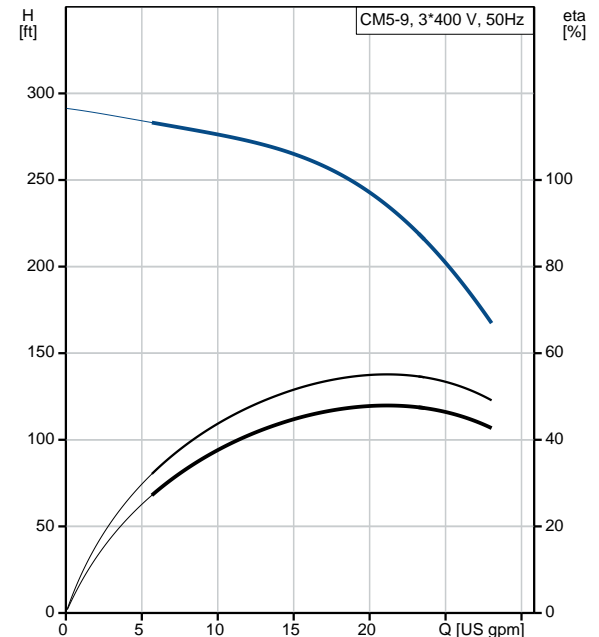
Date:

10/4/2018

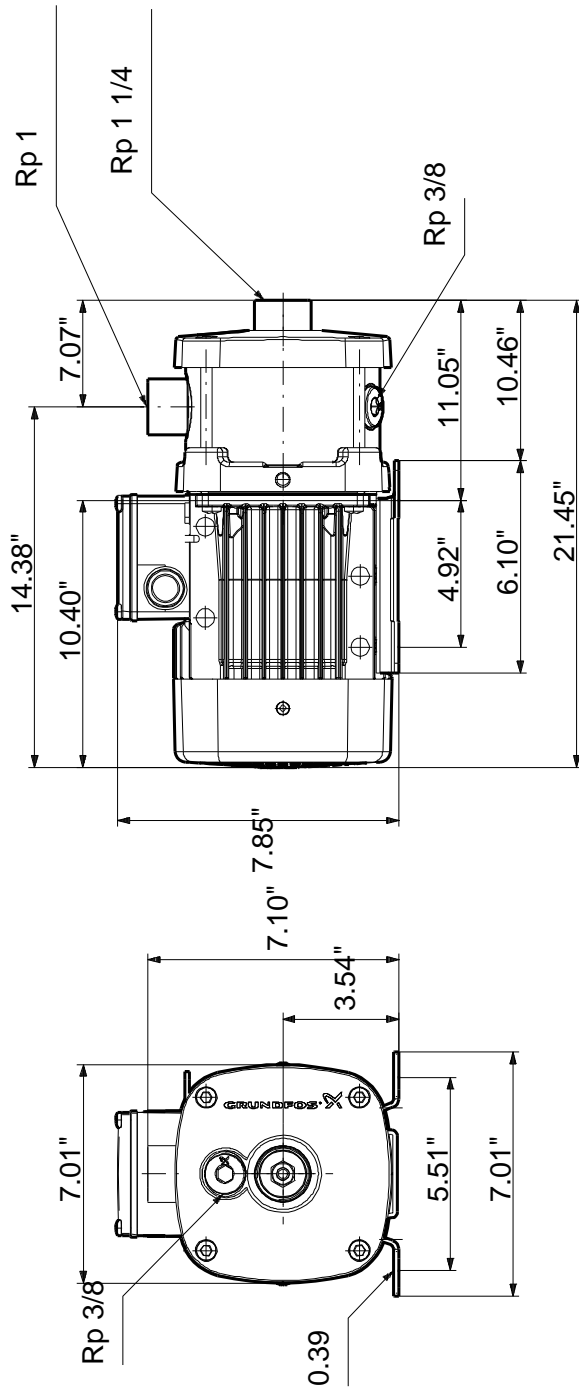
98896343 CM5-9 A-R-I-E-AQQE 50 Hz



Description	Value
General information:	
Product name:	CM5-9 A-R-I-E-AQQE
Product No.:	98896343
EAN:	5712603126401
Technical:	
Rated flow:	20.7 US gpm
Rated head:	230.7 ft
Impellers:	9
Primary shaft seal:	AQQE
Approvals on nameplate:	CE,WRAS,ACS,TR,EAC
Curve tolerance:	ISO9906:2012 3B
Pump version:	A
Model:	A
Materials:	
Pump housing:	Stainless steel DIN W.-Nr. 1.4301 AISI 304
Impeller:	Stainless steel DIN W.-Nr. 1.4301 AISI 304
Material code:	I
Rubber:	EPDM
Code for rubber:	E
Installation:	
Maximum ambient temperature:	131 °F
Maximum operating pressure:	145 psi
Max pressure at stated temperature:	145 psi / 250 °F
Flange standard:	WHITWORTH THREAD RP
Pump inlet:	Rp 1 1/4
Pump outlet:	Rp 1
Connect code:	R
Liquid:	
Pumped liquid:	Water
Liquid temperature range:	-4 .. 248 °F
Liquid temperature during operation:	68 °F
Density:	62.29 lb/ft³
Electrical data:	
Motor type:	90LC
IE Efficiency class:	IE3
Rated power - P2:	3 HP
Main frequency:	50 Hz
Rated voltage:	3 x 220-240D/380-415Y V
Service factor:	1
Rated current:	7,70-7,40/4,45-4,30 A
Starting current:	850-950 %
Rated speed:	2890-2910 rpm
Motor efficiency at full load:	85.9 %
Enclosure class (IEC 34-5):	IP55
Insulation class (IEC 85):	F
Motor protection:	NO
Others:	
Minimum efficiency index, MEI :	0.7
Net weight:	62.4 lb
Gross weight:	67.9 lb
Country of origin:	HU
Custom tariff no.:	84137075

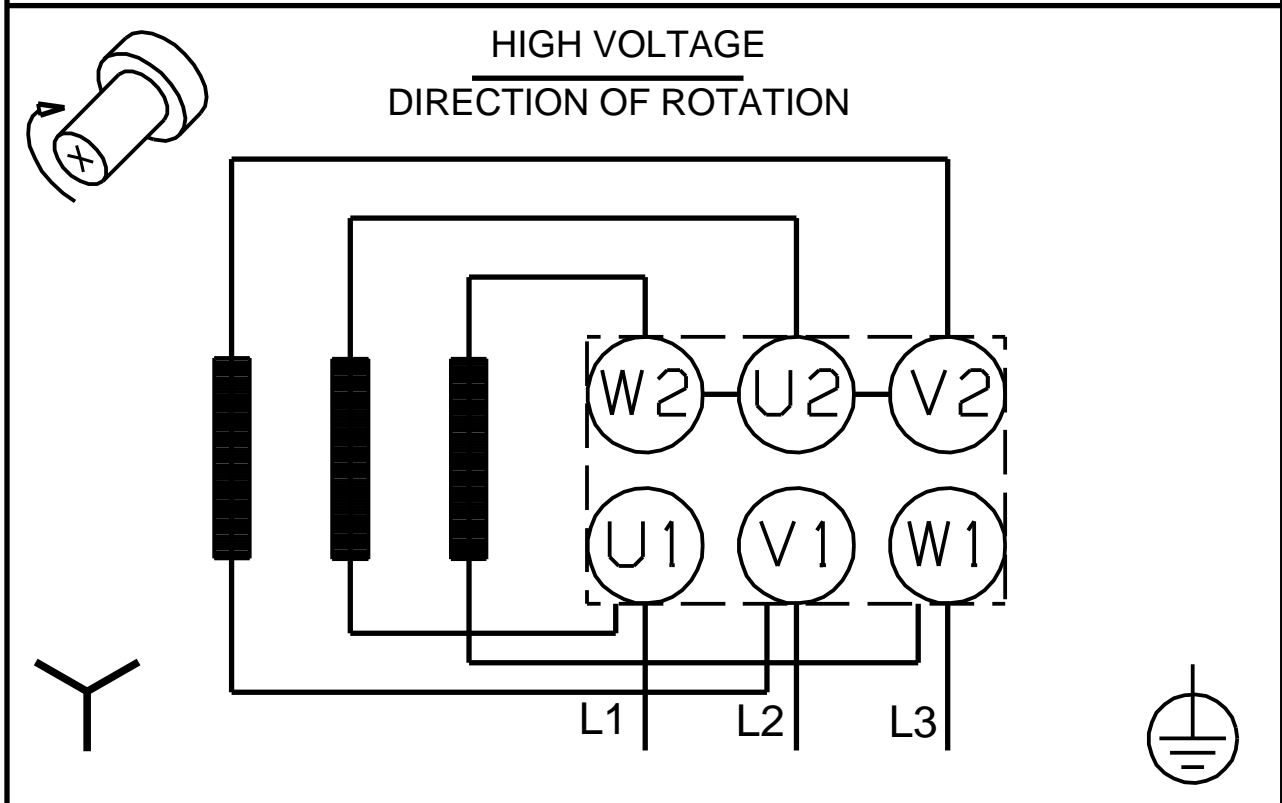
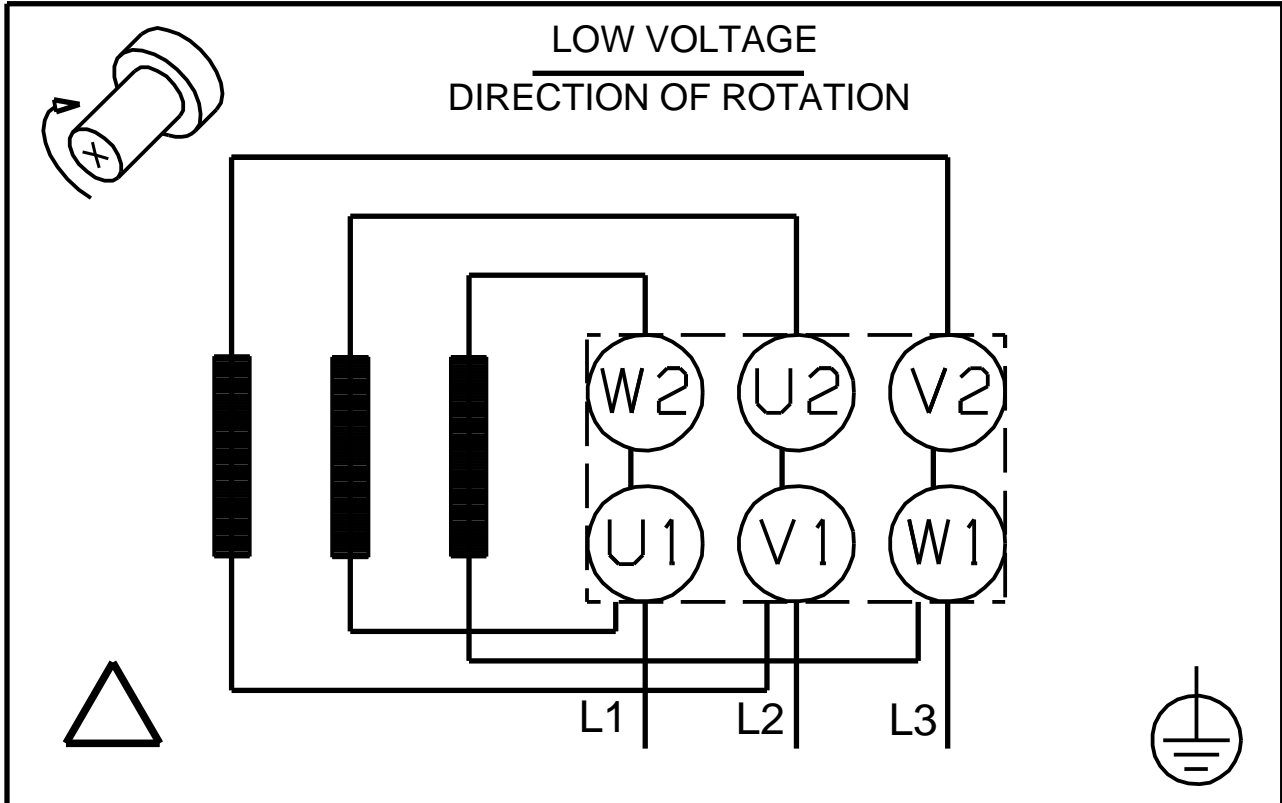


98896343 CM5-9 A-R-I-E-AQQE 50 Hz



Note! All units are in [mm] unless otherwise stated.
 Disclaimer: This simplified dimensional drawing does not show all details.

98896343 CM5-9 A-R-I-E-AQQE 50 Hz



All units are [mm] unless otherwise presented.