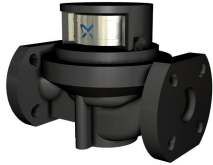
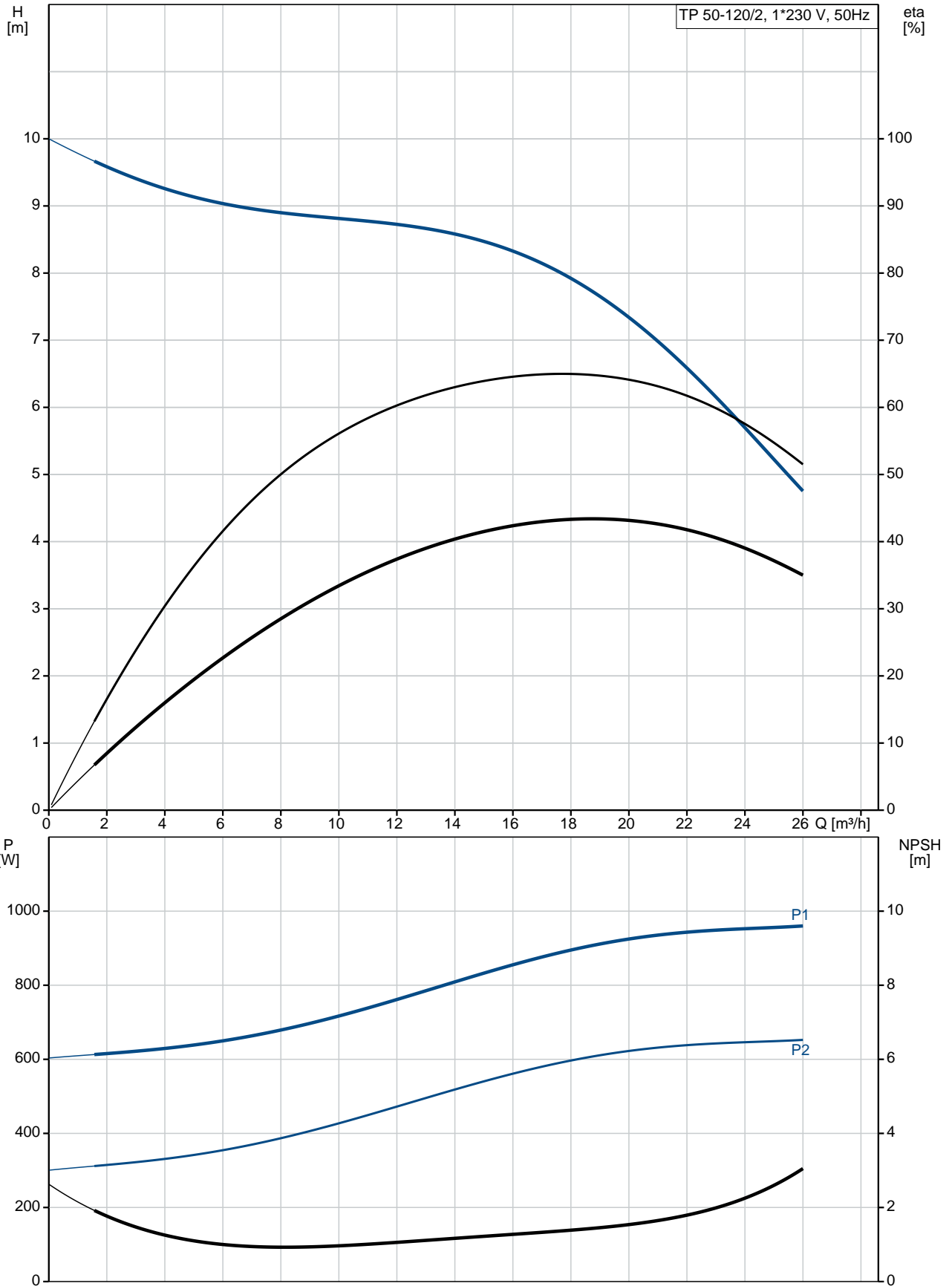


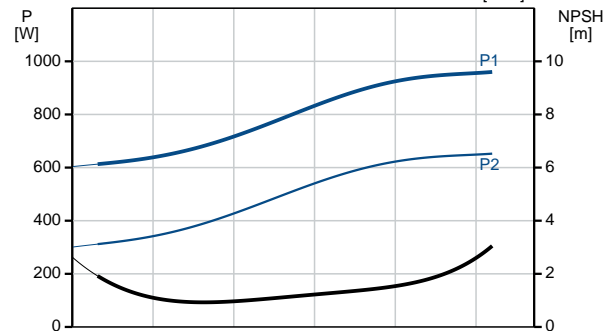
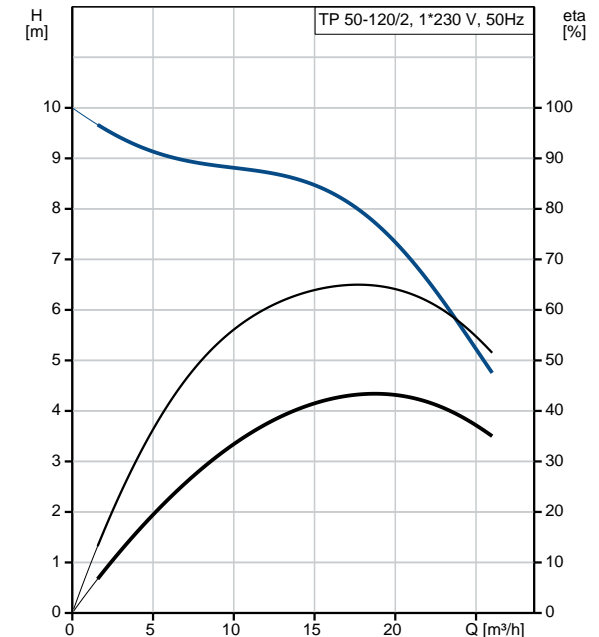
| Position | Qty. | Description |
|----------|------|---|
| | 1 | <p>TP 50-120/2 A-F-A-BQQE</p>  <p>Product No.: 98810439</p> <p>Single-stage, close-coupled, volute pump with in-line suction and discharge ports of identical diameter. The pump is of the top-pull-out design, i.e. the power head (motor, pump head and impeller) can be removed for maintenance or service while the pump housing remains in the pipework.</p> <p>The pump is fitted with an unbalanced rubber bellows seal. The shaft seal is according to EN 12756. Pipework connection is via PN 6/10 DIN flanges (EN 1092-2 and ISO 7005-2).</p> <p>The pump is fitted with a fan-cooled asynchronous motor.</p> <p>Liquid: Pumped liquid: Water Liquid temperature range: -25 .. 120 °C Liquid temperature during operation: 20 °C Density: 998.2 kg/m³</p> <p>Technical: Speed for pump data: 2890 rpm Rated flow: 17.3 m³/h Rated head: 8.1 m Actual impeller diameter: 87 mm Primary shaft seal: BQQE Curve tolerance: ISO9906:2012 3B</p> <p>Materials: Pump housing: Cast iron EN-JL1040 ASTM A48-40 B Impeller: Stainless steel DIN W.-Nr. 1.4301 AISI 304</p> <p>Installation: Range of ambient temperature: -30 .. 40 °C Maximum operating pressure: 10 bar Flange standard: DIN Pipe connection: DN 50 Pump inlet: DN 50 Pump outlet: DN 50 Pressure rating: PN 6/10 Port-to-port length: 280 mm Flange size for motor: FT100</p> <p>Electrical data: Motor type: 80B IE Efficiency class: NA Rated power - P2: 0.75 kW Power (P2) required by pump: 0.75 kW Mains frequency: 50 Hz</p> |

| Position | Qty. | Description |
|----------|------|---|
| | | <p>Rated voltage: 1 x 220-230/240 V</p> <p>Rated current: 5,10/4,75 A</p> <p>Starting current: 300 %</p> <p>Cos phi - power factor: 0,99</p> <p>Rated speed: 2780 rpm</p> <p>Efficiency: 72,1%</p> <p>Motor efficiency at full load: 72.1 %</p> <p>Number of poles: 2</p> <p>Enclosure class (IEC 34-5): 55 Dust/Jetting</p> <p>Insulation class (IEC 85): F</p> <p>Others:</p> <p>Minimum efficiency index, MEI : 0.45</p> <p>ErP status: EuP Standalone/Prod.</p> <p>Net weight: 31.2 kg</p> <p>Gross weight: 34.7 kg</p> <p>Shipping volume: 0.12 m³</p> |

98810439 TP 50-120/2 50 Hz



| Description | Value |
|--------------------------------------|--|
| General information: | |
| Product name: | TP 50-120/2 A-F-A-BQQE |
| Product No: | 98810439 |
| EAN number: | 5712601681285 |
| Technical: | |
| Speed for pump data: | 2890 rpm |
| Rated flow: | 17.3 m ³ /h |
| Rated head: | 8.1 m |
| Head max: | 120 dm |
| Actual impeller diameter: | 87 mm |
| Primary shaft seal: | BQQE |
| Curve tolerance: | ISO9906:2012 3B |
| Pump version: | A |
| Model: | A |
| Materials: | |
| Pump housing: | Cast iron EN-JL1040 ASTM A48-40 B |
| Impeller: | Stainless steel DIN W.-Nr. 1.4301 AISI 304 |
| Material code: | A |
| Installation: | |
| Range of ambient temperature: | -30 .. 40 °C |
| Maximum operating pressure: | 10 bar |
| Flange standard: | DIN |
| Connect code: | F |
| Pipe connection: | DN 50 |
| Pump inlet: | DN 50 |
| Pump outlet: | DN 50 |
| Pressure rating: | PN 6/10 |
| Port-to-port length: | 280 mm |
| Flange size for motor: | FT100 |
| Liquid: | |
| Pumped liquid: | Water |
| Liquid temperature range: | -25 .. 120 °C |
| Liquid temperature during operation: | 20 °C |
| Density: | 998.2 kg/m ³ |
| Electrical data: | |
| Motor type: | 80B |
| IE Efficiency class: | NA |
| Rated power - P2: | 0.75 kW |
| Power (P2) required by pump: | 0.75 kW |
| Mains frequency: | 50 Hz |
| Rated voltage: | 1 x 220-230/240 V |
| Rated current: | 5,10/4,75 A |
| Starting current: | 300 % |
| Cos phi - power factor: | 0,99 |
| Rated speed: | 2780 rpm |
| Efficiency: | 72,1% |
| Motor efficiency at full load: | 72.1 % |
| Number of poles: | 2 |
| Enclosure class (IEC 34-5): | 55 Dust/Jetting |
| Insulation class (IEC 85): | F |





Company name:

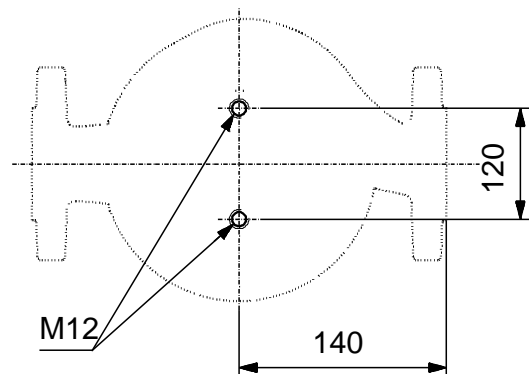
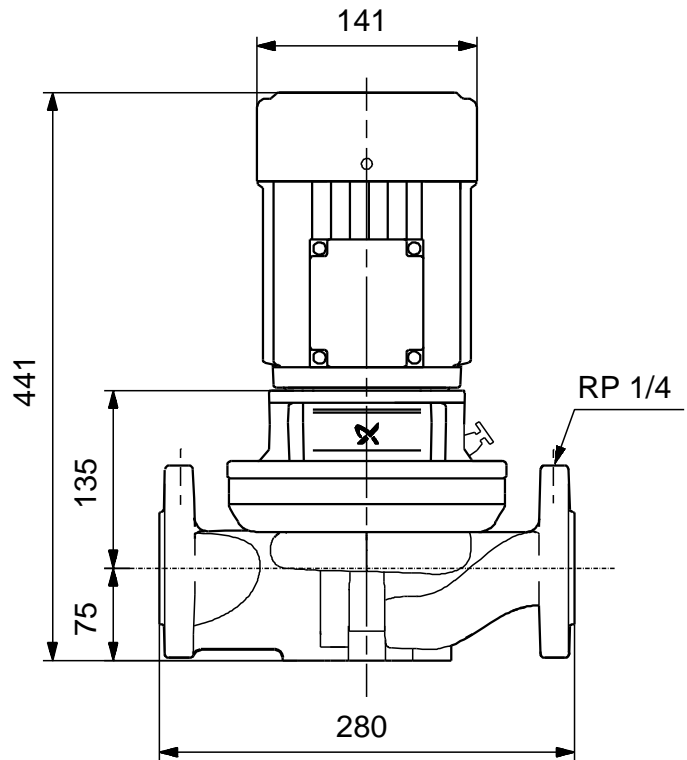
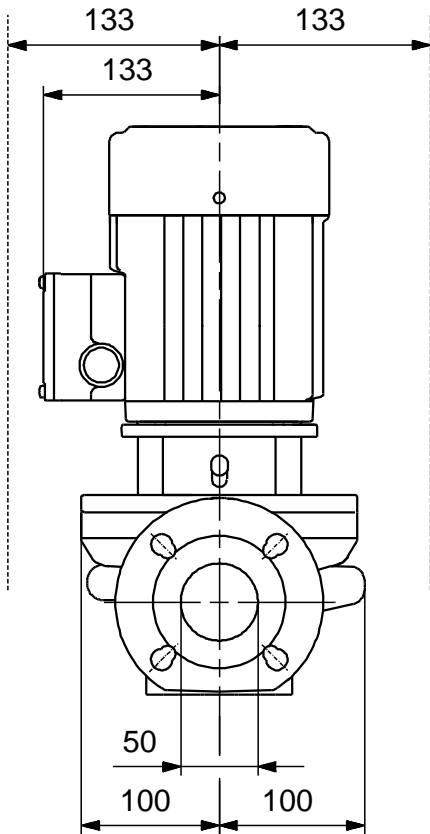
Created by:

Phone:

Date: 19/12/2017

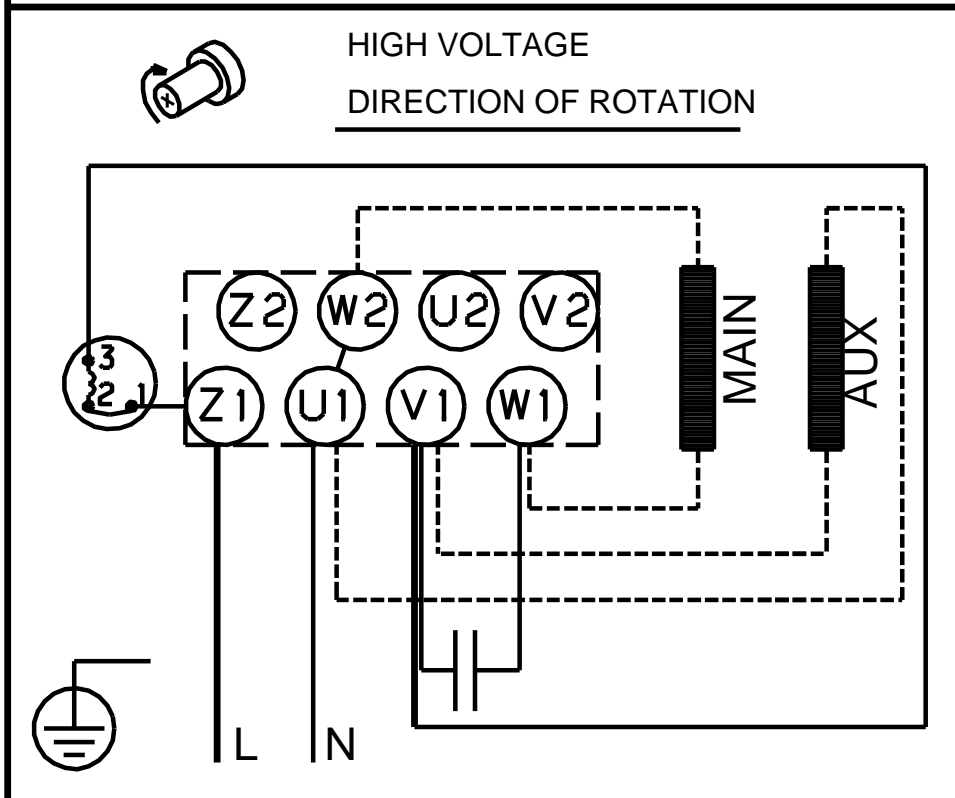
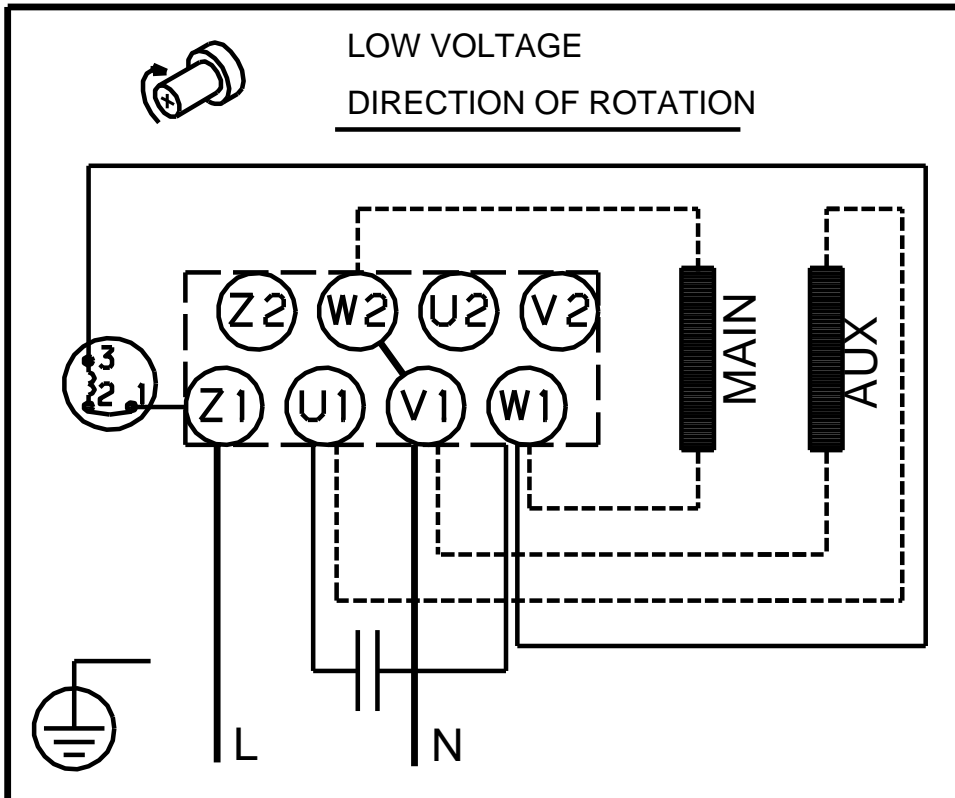
| Description | Value |
|---------------------------------|----------------------|
| Motor protec: | PTO |
| Motor No: | 85215104 |
| Others: | |
| Minimum efficiency index, MEI : | 0.45 |
| ErP status: | EuP Standalone/Prod. |
| Net weight: | 31.2 kg |
| Gross weight: | 34.7 kg |
| Shipping volume: | 0.12 m ³ |

98810439 TP 50-120/2 50 Hz



Note! All units are in [mm] unless others are stated.
Disclaimer: This simplified dimensional drawing does not show all details.

98810439 TP 50-120/2 50 Hz



Note! All units are in [mm] unless others are stated.