


Count	Description
1	<p data-bbox="225 342 319 365">SP 7-37</p> <div data-bbox="405 376 427 860" style="text-align: center;">  </div> <p data-bbox="619 837 1072 860" style="text-align: center;">Product photo could vary from the actual product</p> <p data-bbox="225 869 831 1014">Product No.: 98699196 Multi-stage submersible pump for raw water supply, groundwater lowering and pressure boosting. The pump is suitable for pumping clean, thin, non-aggressive liquids without solid particles or fibers.</p> <p data-bbox="225 1048 767 1167">The pump is made entirely of Stainless steel DIN W.-Nr. EN 1.4301 and suitable for horizontal and vertical installation. The pump is fitted with a built-in non-return valve.</p> <p data-bbox="225 1196 767 1283">The motor is a 3-phase motor of the canned type with a sand shield, liquid-lubricated bearings and pressure-equalizing diaphragm.</p> <p data-bbox="225 1317 311 1339">Liquid:</p> <p data-bbox="225 1346 735 1491">Pumped liquid: Water Maximum liquid temperature: 104 °F Max liquid temperature at 0.15 m/sec: 104 °F Selected liquid temperature: 68 °F Density: 62.29 lb/ft³</p> <p data-bbox="225 1525 352 1547">Technical:</p> <p data-bbox="225 1554 826 1756">Pump speed on which pump data is based: 2900 rpm Rated flow: 30.8 US gpm Rated head: 558.4 ft Shaft seal for motor: HM/CER Approvals on nameplate: CE,EAC Curve tolerance: ISO9906:2012 3B Motor version: T40</p> <p data-bbox="225 1794 343 1816">Materials:</p> <p data-bbox="225 1823 751 2085">Pump: Stainless steel EN 1.4301 AISI 304 Impeller: Stainless steel EN 1.4301 AISI 304 Motor: Stainless steel DIN W.-Nr. 1.4301 AISI 304</p>



Company name:

Created by:

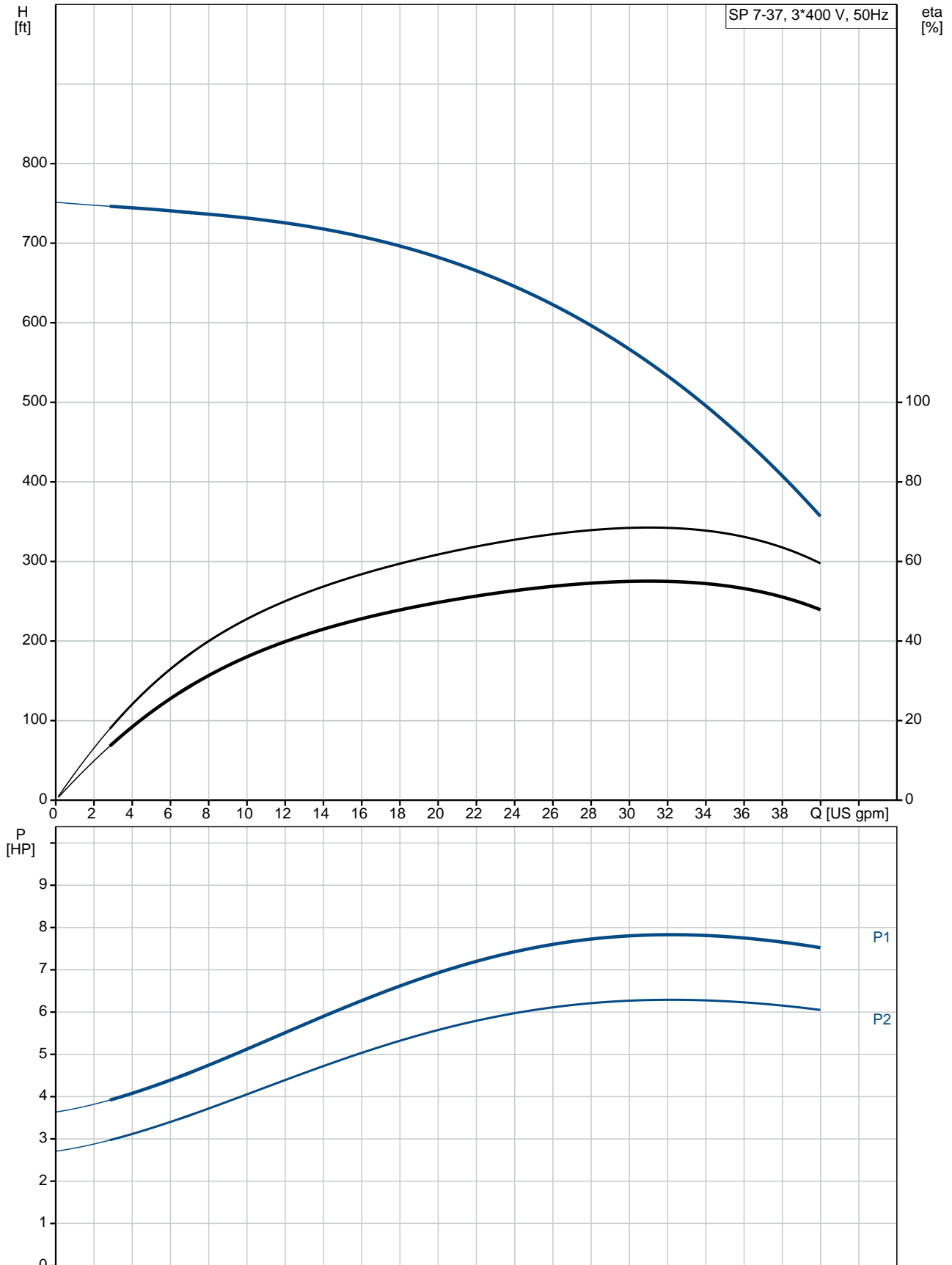
Phone:

Date:

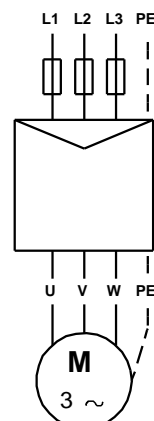
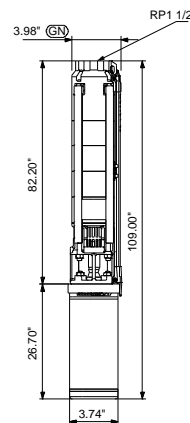
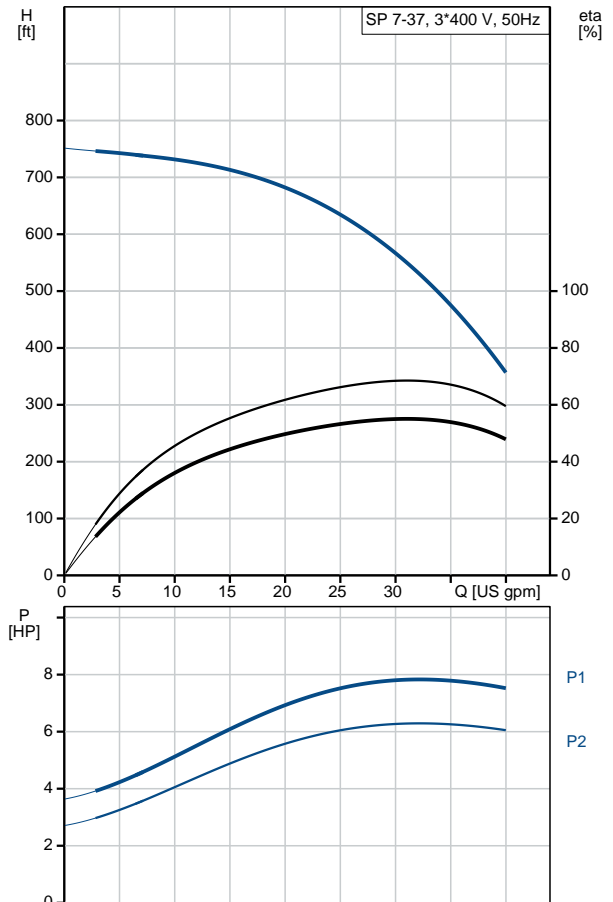
6/13/2019

Count	Description
	Installation:
	Pump outlet: RP1 1/2
	Motor diameter: 4 inch
	Electrical data:
	Motor type: MS4000
	Rated power - P2: 7.5 HP
	Power (P2) required by pump: 7.5 HP
	Main frequency: 50 Hz
	Rated voltage: 3 x 380-400-415 V
	Rated current: 13.0-13.0-13.4 A
	Starting current: 480-530-550 %
	Cos phi - power factor: 0.85-0.81-0.76
	Rated speed: 2850-2860-2870 rpm
	Start. method: direct-on-line
	Enclosure class (IEC 34-5): IP68
	Insulation class (IEC 85): F
	Built-in temperature transmitter: yes
	Motor Number: 79195511
	Others:
	Minimum efficiency index, MEI : 0.70
	ErP status: EuP Standalone/Prod.
	Net weight: 118 lb
	Gross weight: 201 lb
	Shipping volume: 11.9 ft ³
	Danish VVS No.: 388461037

98699196 SP 7-37 50 Hz



Description	Value
General information:	
Product name:	SP 7-37
Product No.:	98699196
EAN:	5712600108752
Technical:	
Pump speed on which pump data is based:	2900 rpm
Rated flow:	30.8 US gpm
Rated head:	558.4 ft
Stages:	37
Impeller reduc.:	NONE
Shaft seal for motor:	HM/CER
Approvals on nameplate:	CE,EAC
Curve tolerance:	ISO9906:2012 3B
Model:	A
Valve:	YES
Motor version:	T40
Materials:	
Pump:	Stainless steel EN 1.4301 AISI 304
Impeller:	Stainless steel EN 1.4301 AISI 304
Motor:	Stainless steel DIN W.-Nr. 1.4301 AISI 304
Installation:	
Pump outlet:	RP1 1/2
Motor diameter:	4 inch
Liquid:	
Pumped liquid:	Water
Maximum liquid temperature:	104 °F
Max liquid temperature at 0.15 m/sec:	104 °F
Selected liquid temperature:	68 °F
Density:	62.29 lb/ft³
Electrical data:	
Motor type:	MS4000
Applic. motor:	NEMA
Rated power - P2:	7.5 HP
Power (P2) required by pump:	7.5 HP
Main frequency:	50 Hz
Rated voltage:	3 x 380-400-415 V
Rated current:	13.0-13.0-13.4 A
Starting current:	480-530-550 %
Cos phi - power factor:	0.85-0.81-0.76
Rated speed:	2850-2860-2870 rpm
Start. method:	direct-on-line
Enclosure class (IEC 34-5):	IP68
Insulation class (IEC 85):	F
Motor protection:	NONE
Thermal protec:	external
Built-in temperature transmitter:	yes
Motor Number:	79195511
Others:	
Minimum efficiency index, MEI :	0.70
ErP status:	EuP Standalone/Prod.
Net weight:	118 lb





Company name:

Created by:

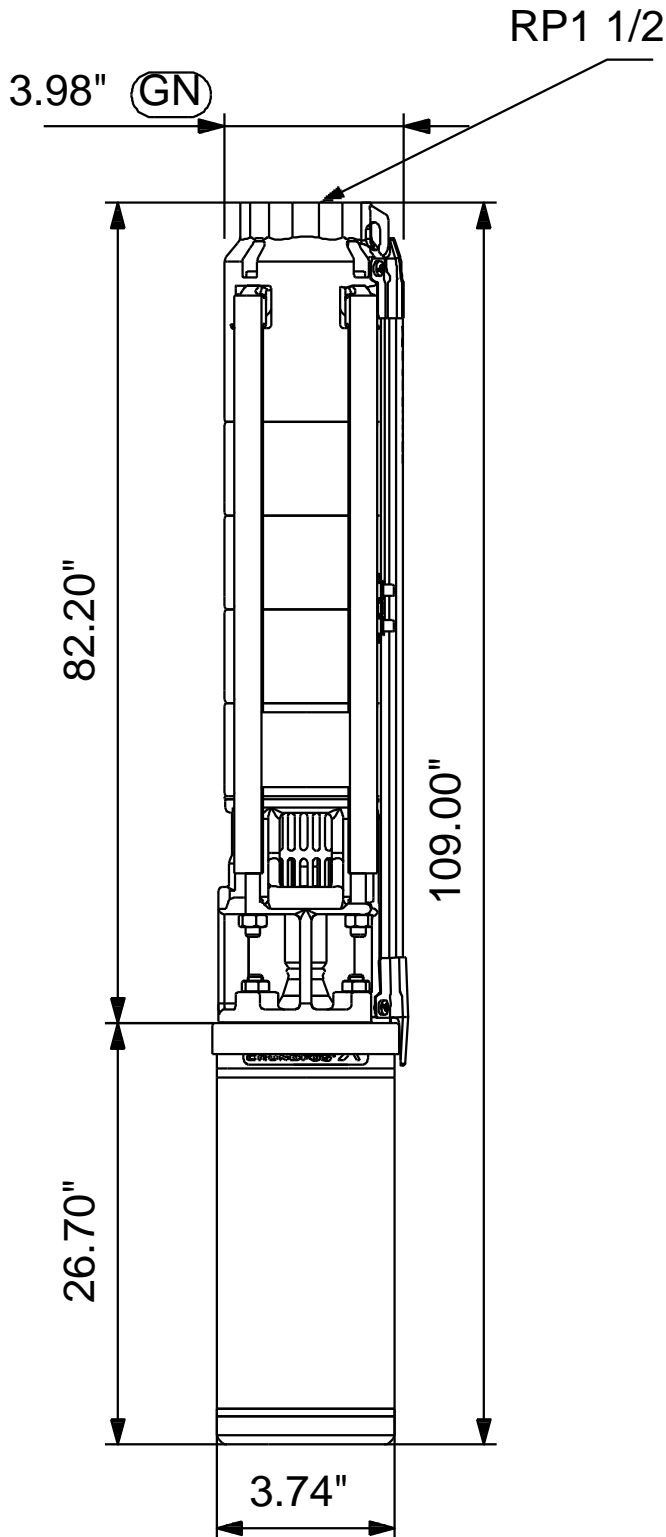
Phone:

Date:

6/13/2019

Description	Value
Gross weight:	201 lb
Shipping volume:	11.9 ft ³
Danish VVS No.:	388461037

98699196 SP 7-37 50 Hz



Note! All units are in [in] unless otherwise stated.
Disclaimer: This simplified dimensional drawing does not show all details.

98699196 SP 7-37 50 Hz



All units are [in] unless otherwise presented.



Company name:

Created by:

Phone:

Date: 6/13/2019

Order Data:

Product name: SP 7-37

Amount: 1

Product No.: 98699196

Total: Price on request
