
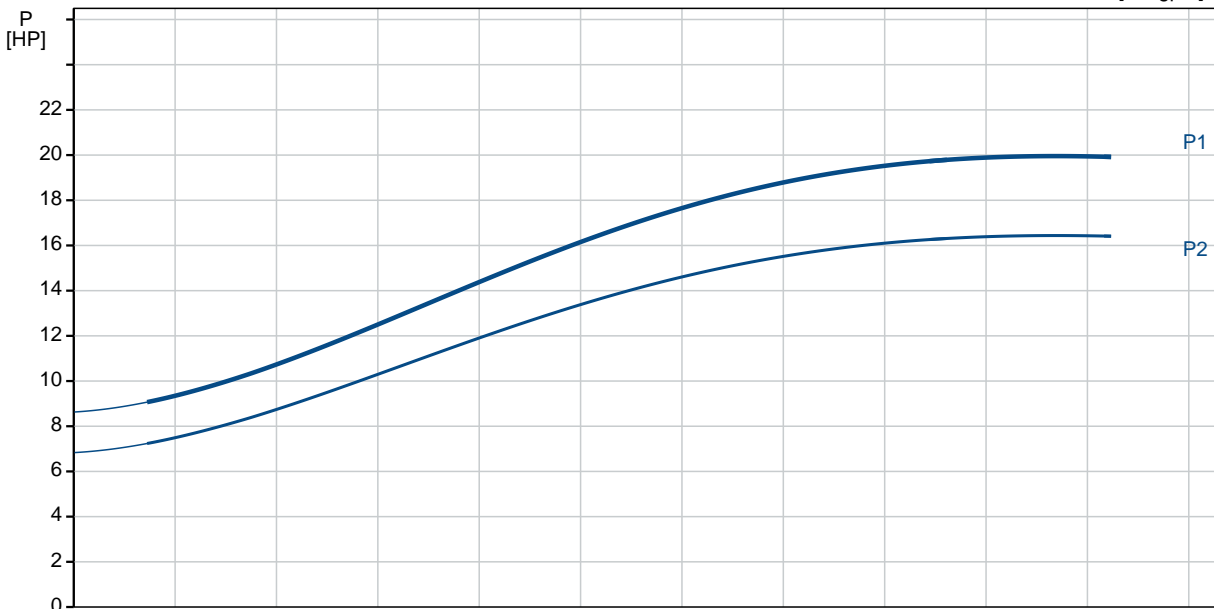
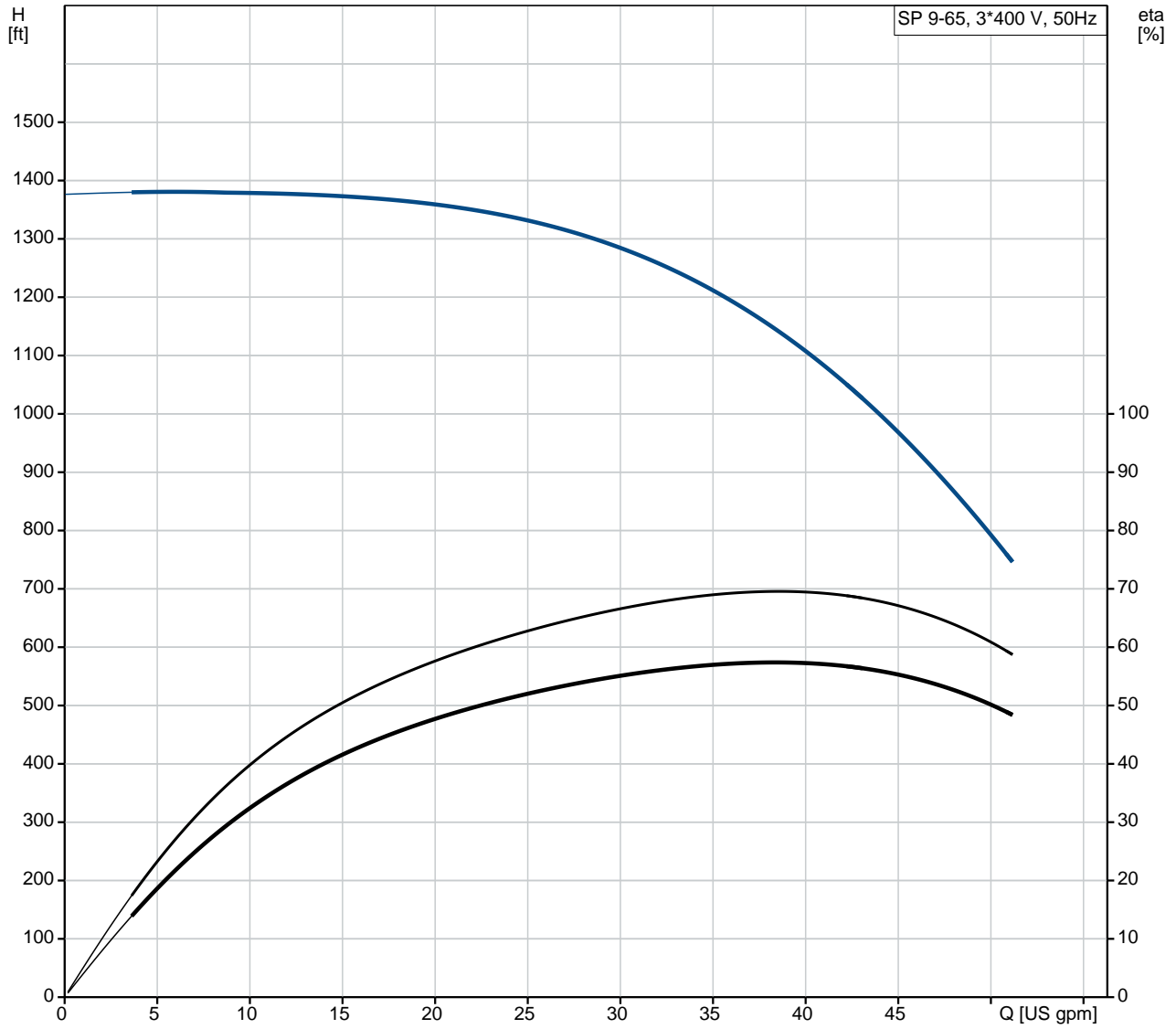


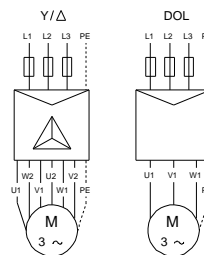
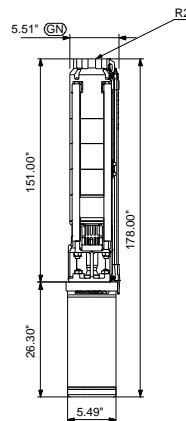
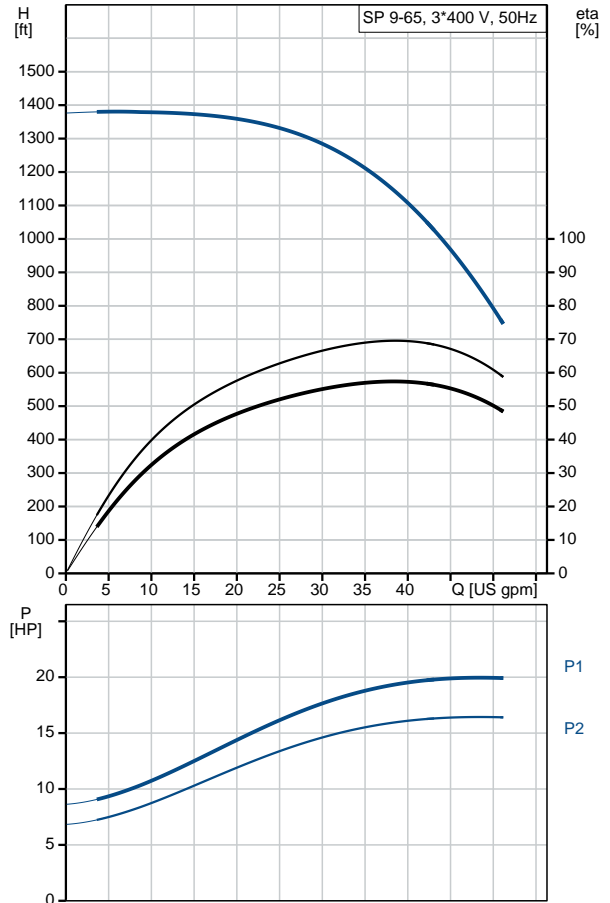
| Count | Description | | | | | | | | | | | | | | | | | | | | | | | | | | | | | | | | |
|-----------------------------------------|---------------------------------------------------------------------------------------------------------------------------------------------------------------------------------------------------------------------------------------------------------------------------------------------------------------------------------------------------------------------------------------------------------------------------------------------------------------------------------------------------------------------------------------------------------------------------------------------------------------------------------------------------------------------------------------------------------------------------------------------------------------------------------------------------------------------------------------------------------------------------------------------------------------------------------------------------------------------------------------------------------------------------------------------------------------------------------------------------------------------------------------------------------------------------------------------------------------------------------------------------------------------------------------------------------------------------------------------------------------------------------------------------------------------------------------------------------------------------------------------------------------------------------------------------------------------------------------------------------------------------------------------------------------------------------------------------------------------------------------------------------------------------------------------------------------------------------------------------------------------------------------------------------------------------------------------------------------------------------------------------------------------------------------------------------------------------------------------------------------------------------------------------------------------------------------------------------------------------------------------------------------------------------------------------------------------------------------------------------------------------------------------------------------------------------------------------------------------------------------------------------------------------|----------------|-------|-----------------------------|--------|---------------------------------------|--------|------------------------------|-------|----------|--------------------------|-----------------------------------------|----------|-------------|-------------|-------------|---------|-----------------------|------------|-------------------------|----------|------------------|-----------------|----------------|-----|-------|------------------------------------------|-----------|------------------------------------------|--------|--------------------------------------------------|--------------|----|
| 1 | <p data-bbox="225 338 319 367">SP 9-65</p> <div data-bbox="387 394 448 775" style="text-align: center;">  </div> <p data-bbox="619 770 1070 795" style="text-align: center;">Product photo could vary from the actual product</p> <p data-bbox="225 801 491 831">Product No.: 98699077</p> <p data-bbox="225 835 831 949">Multi-stage submersible pump for raw water supply, groundwater lowering and pressure boosting. The pump is suitable for pumping clean, thin, non-aggressive liquids without solid particles or fibers.</p> <p data-bbox="225 981 767 1097">The pump is made entirely of Stainless steel DIN W.-Nr. EN 1.4301 and suitable for horizontal and vertical installation. The pump is fitted with a built-in non-return valve.</p> <p data-bbox="225 1128 767 1218">The motor is a 3-phase motor of the canned type with a sand shield, liquid-lubricated bearings and pressure-equalizing diaphragm.</p> <p data-bbox="225 1249 311 1279">Liquid:</p> <table data-bbox="225 1279 735 1429"> <tr> <td>Pumped liquid:</td> <td>Water</td> </tr> <tr> <td>Maximum liquid temperature:</td> <td>104 °F</td> </tr> <tr> <td>Max liquid temperature at 0.15 m/sec:</td> <td>104 °F</td> </tr> <tr> <td>Selected liquid temperature:</td> <td>68 °F</td> </tr> <tr> <td>Density:</td> <td>62.29 lb/ft³</td> </tr> </table> <p data-bbox="225 1458 347 1487">Technical:</p> <table data-bbox="225 1487 826 1693"> <tr> <td>Pump speed on which pump data is based:</td> <td>2900 rpm</td> </tr> <tr> <td>Rated flow:</td> <td>39.6 US gpm</td> </tr> <tr> <td>Rated head:</td> <td>1133 ft</td> </tr> <tr> <td>Shaft seal for motor:</td> <td>CER/CARNBR</td> </tr> <tr> <td>Approvals on nameplate:</td> <td>CE,GOST2</td> </tr> <tr> <td>Curve tolerance:</td> <td>ISO9906:2012 3B</td> </tr> <tr> <td>Motor version:</td> <td>T40</td> </tr> </table> <p data-bbox="225 1724 343 1753">Materials:</p> <table data-bbox="225 1753 794 2018"> <tr> <td>Pump:</td> <td>Stainless steel EN 1.4301 AISI 304</td> </tr> <tr> <td>Impeller:</td> <td>Stainless steel EN 1.4301 AISI 304</td> </tr> <tr> <td>Motor:</td> <td>Stainless steel DIN W.-Nr. 1.4301 AISI 304</td> </tr> </table> <p data-bbox="225 2049 368 2078">Installation:</p> <table data-bbox="225 2078 624 2107"> <tr> <td>Pump outlet:</td> <td>R2</td> </tr> </table> | Pumped liquid: | Water | Maximum liquid temperature: | 104 °F | Max liquid temperature at 0.15 m/sec: | 104 °F | Selected liquid temperature: | 68 °F | Density: | 62.29 lb/ft ³ | Pump speed on which pump data is based: | 2900 rpm | Rated flow: | 39.6 US gpm | Rated head: | 1133 ft | Shaft seal for motor: | CER/CARNBR | Approvals on nameplate: | CE,GOST2 | Curve tolerance: | ISO9906:2012 3B | Motor version: | T40 | Pump: | Stainless steel EN 1.4301 AISI 304 | Impeller: | Stainless steel EN 1.4301 AISI 304 | Motor: | Stainless steel DIN W.-Nr. 1.4301 AISI 304 | Pump outlet: | R2 |
| Pumped liquid: | Water | | | | | | | | | | | | | | | | | | | | | | | | | | | | | | | | |
| Maximum liquid temperature: | 104 °F | | | | | | | | | | | | | | | | | | | | | | | | | | | | | | | | |
| Max liquid temperature at 0.15 m/sec: | 104 °F | | | | | | | | | | | | | | | | | | | | | | | | | | | | | | | | |
| Selected liquid temperature: | 68 °F | | | | | | | | | | | | | | | | | | | | | | | | | | | | | | | | |
| Density: | 62.29 lb/ft ³ | | | | | | | | | | | | | | | | | | | | | | | | | | | | | | | | |
| Pump speed on which pump data is based: | 2900 rpm | | | | | | | | | | | | | | | | | | | | | | | | | | | | | | | | |
| Rated flow: | 39.6 US gpm | | | | | | | | | | | | | | | | | | | | | | | | | | | | | | | | |
| Rated head: | 1133 ft | | | | | | | | | | | | | | | | | | | | | | | | | | | | | | | | |
| Shaft seal for motor: | CER/CARNBR | | | | | | | | | | | | | | | | | | | | | | | | | | | | | | | | |
| Approvals on nameplate: | CE,GOST2 | | | | | | | | | | | | | | | | | | | | | | | | | | | | | | | | |
| Curve tolerance: | ISO9906:2012 3B | | | | | | | | | | | | | | | | | | | | | | | | | | | | | | | | |
| Motor version: | T40 | | | | | | | | | | | | | | | | | | | | | | | | | | | | | | | | |
| Pump: | Stainless steel EN 1.4301 AISI 304 | | | | | | | | | | | | | | | | | | | | | | | | | | | | | | | | |
| Impeller: | Stainless steel EN 1.4301 AISI 304 | | | | | | | | | | | | | | | | | | | | | | | | | | | | | | | | |
| Motor: | Stainless steel DIN W.-Nr. 1.4301 AISI 304 | | | | | | | | | | | | | | | | | | | | | | | | | | | | | | | | |
| Pump outlet: | R2 | | | | | | | | | | | | | | | | | | | | | | | | | | | | | | | | |

| Count | Description |
|-------|----------------------------------------------------------------------------------------------------------------------------------------------------------------------------------------------------------------------------------------------------------------------------------------------------------------------------------------------------------------------------------------------------------------------------------------------------------------------------------------------------------------------------------------------------------------------------------------------------------------------------------------------------------------------------------------------------------------------------------------------------------------------------------------------------------------------------------------------------|
| | <p>Motor diameter: 6 inch</p> <p>Electrical data:</p> <p>Motor type: MS6000</p> <p>Rated power - P2: 17.5 HP</p> <p>Power (P2) required by pump: 17.5 HP</p> <p>Main frequency: 50 Hz</p> <p>Rated voltage: 3 x 380-400-415 V</p> <p>Rated current: 30.0-29.0-29.0 A</p> <p>Starting current: 490-540-560 %</p> <p>Cos phi - power factor: 0.85-0.82-0.79</p> <p>Rated speed: 2850-2870-2880 rpm</p> <p>Start. method: direct-on-line</p> <p>Enclosure class (IEC 34-5): IP68</p> <p>Insulation class (IEC 85): F</p> <p>Built-in temperature transmitter: yes</p> <p>Motor Number: 78195515</p> <p>Others:</p> <p>Minimum efficiency index, MEI : 0.70</p> <p>ErP status: EuP Standalone/Prod.</p> <p>Net weight: 267 lb</p> <p>Gross weight: 392 lb</p> <p>Shipping volume: 19 ft³</p> <p>Danish VVS No.: 388480365</p> |

98699077 SP 9-65 50 Hz



| Description | Value |
|-----------------------------------------|--------------------------------------------------|
| General information: | |
| Product name: | SP 9-65 |
| Product No.: | 98699077 |
| EAN: | 5712600106376 |
| Technical: | |
| Pump speed on which pump data is based: | 2900 rpm |
| Rated flow: | 39.6 US gpm |
| Rated head: | 1133 ft |
| Stages: | 65 |
| Impeller reduc.: | NONE |
| Shaft seal for motor: | CER/CARNBR |
| Approvals on nameplate: | CE,GOST2 |
| Curve tolerance: | ISO9906:2012 3B |
| Model: | A |
| Valve: | YES |
| Motor version: | T40 |
| Materials: | |
| Pump: | Stainless steel EN 1.4301 AISI 304 |
| Impeller: | Stainless steel EN 1.4301 AISI 304 |
| Motor: | Stainless steel DIN W.-Nr. 1.4301 AISI 304 |
| Installation: | |
| Pump outlet: | R2 |
| Motor diameter: | 6 inch |
| Liquid: | |
| Pumped liquid: | Water |
| Maximum liquid temperature: | 104 °F |
| Max liquid temperature at 0.15 m/sec: | 104 °F |
| Selected liquid temperature: | 68 °F |
| Density: | 62.29 lb/ft³ |
| Electrical data: | |
| Motor type: | MS6000 |
| Applic. motor: | NEMA |
| Rated power - P2: | 17.5 HP |
| Power (P2) required by pump: | 17.5 HP |
| Main frequency: | 50 Hz |
| Rated voltage: | 3 x 380-400-415 V |
| Rated current: | 30.0-29.0-29.0 A |
| Starting current: | 490-540-560 % |
| Cos phi - power factor: | 0.85-0.82-0.79 |
| Rated speed: | 2850-2870-2880 rpm |
| Start. method: | direct-on-line |
| Enclosure class (IEC 34-5): | IP68 |
| Insulation class (IEC 85): | F |
| Motor protection: | NONE |
| Thermal protec: | external |
| Built-in temperature transmitter: | yes |
| Motor Number: | 78195515 |
| Others: | |
| Minimum efficiency index, MEI : | 0.70 |
| ErP status: | EuP Standalone/Prod. |
| Net weight: | 267 lb |



| | |
|--------|-------|
| U1, W2 | Brown |
| V1, U2 | Black |
| W1, V2 | Grey |



Company name:

Created by:

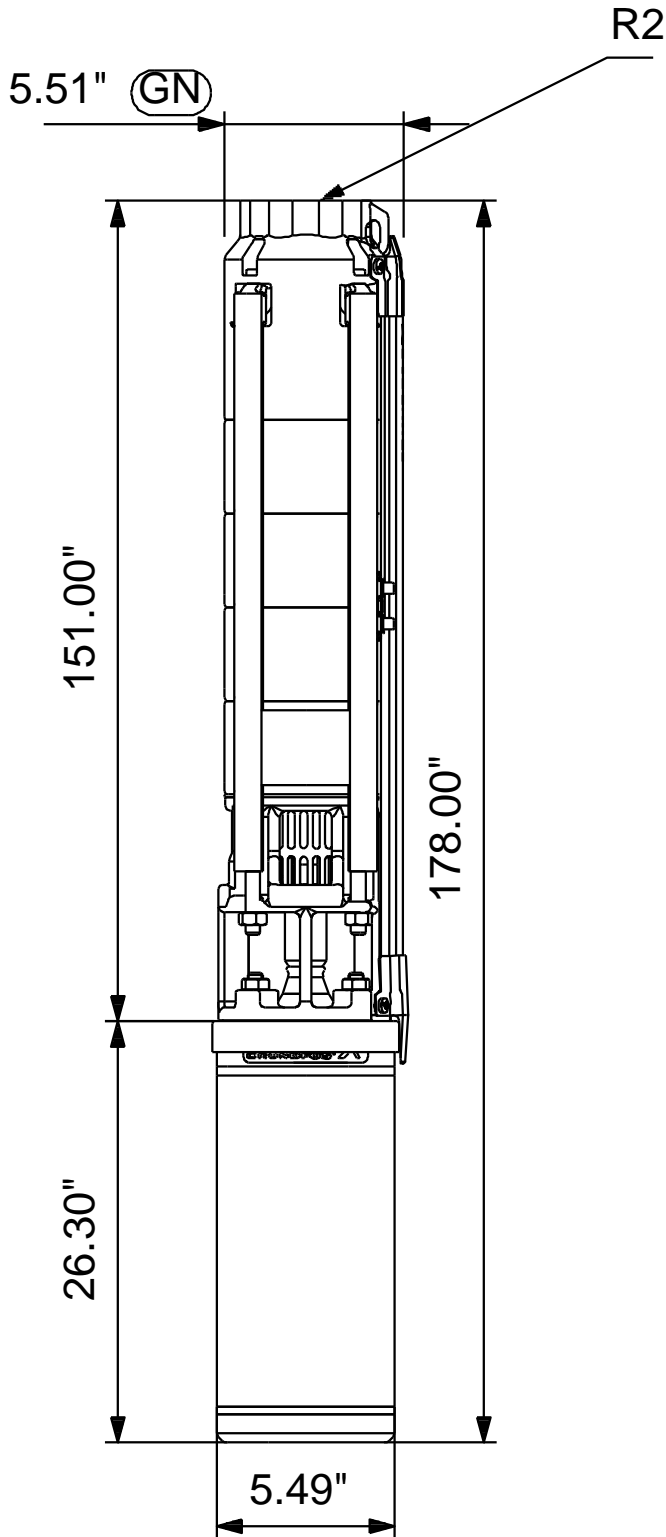
Phone:

Date:

6/14/2019

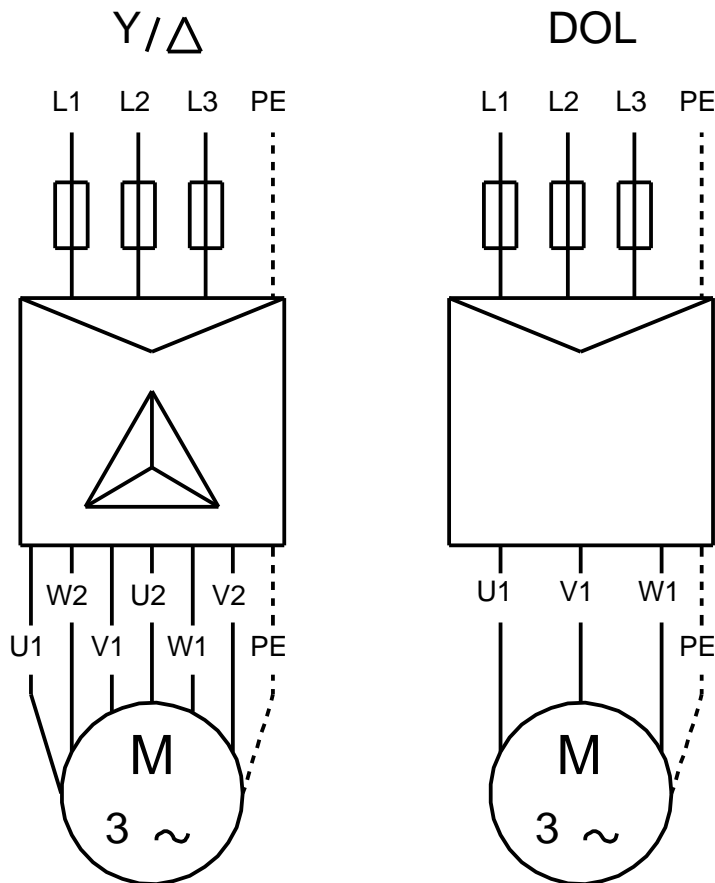
| Description | Value |
|------------------|--------------------|
| Gross weight: | 392 lb |
| Shipping volume: | 19 ft ³ |
| Danish VVS No.: | 388480365 |

98699077 SP 9-65 50 Hz



Note! All units are in [in] unless otherwise stated.
Disclaimer: This simplified dimensional drawing does not show all details.

98699077 SP 9-65 50 Hz



| | |
|--------|-------|
| U1, W2 | Brown |
| V1, U2 | Black |
| W1, V2 | Grey |

All units are [in] unless otherwise presented.



Company name:

Created by:

Phone:

Date:

6/14/2019

Order Data:

Product name: SP 9-65

Amount: 1

Product No.: 98699077

Total: Price on request
