


Count	Description																																
1	<p data-bbox="225 338 319 367"><b>SP 9-48</b></p> <div data-bbox="387 394 448 777" style="text-align: center;">  </div> <p data-bbox="619 770 1070 795" style="text-align: center;">Product photo could vary from the actual product</p> <p data-bbox="225 801 491 831">Product No.: <a href="#">98699073</a></p> <p data-bbox="225 833 831 949">Multi-stage submersible pump for raw water supply, groundwater lowering and pressure boosting. The pump is suitable for pumping clean, thin, non-aggressive liquids without solid particles or fibers.</p> <p data-bbox="225 981 767 1097">The pump is made entirely of Stainless steel DIN W.-Nr. EN 1.4301 and suitable for horizontal and vertical installation. The pump is fitted with a built-in non-return valve.</p> <p data-bbox="225 1128 767 1218">The motor is a 3-phase motor of the canned type with a sand shield, liquid-lubricated bearings and pressure-equalizing diaphragm.</p> <p data-bbox="225 1249 311 1279"><b>Liquid:</b></p> <table data-bbox="225 1281 735 1429"> <tr> <td>Pumped liquid:</td> <td>Water</td> </tr> <tr> <td>Maximum liquid temperature:</td> <td>104 °F</td> </tr> <tr> <td>Max liquid temperature at 0.15 m/sec:</td> <td>104 °F</td> </tr> <tr> <td>Selected liquid temperature:</td> <td>68 °F</td> </tr> <tr> <td>Density:</td> <td>62.29 lb/ft<sup>3</sup></td> </tr> </table> <p data-bbox="225 1460 347 1489"><b>Technical:</b></p> <table data-bbox="225 1491 826 1693"> <tr> <td>Pump speed on which pump data is based:</td> <td>2900 rpm</td> </tr> <tr> <td>Rated flow:</td> <td>39.6 US gpm</td> </tr> <tr> <td>Rated head:</td> <td>835.7 ft</td> </tr> <tr> <td>Shaft seal for motor:</td> <td>CER/CARNBR</td> </tr> <tr> <td>Approvals on nameplate:</td> <td>CE,GOST2</td> </tr> <tr> <td>Curve tolerance:</td> <td>ISO9906:2012 3B</td> </tr> <tr> <td>Motor version:</td> <td>T40</td> </tr> </table> <p data-bbox="225 1724 343 1753"><b>Materials:</b></p> <table data-bbox="225 1756 794 2018"> <tr> <td>Pump:</td> <td>Stainless steel EN 1.4301 AISI 304</td> </tr> <tr> <td>Impeller:</td> <td>Stainless steel EN 1.4301 AISI 304</td> </tr> <tr> <td>Motor:</td> <td>Stainless steel DIN W.-Nr. 1.4301 AISI 304</td> </tr> </table> <p data-bbox="225 2049 368 2078"><b>Installation:</b></p> <table data-bbox="225 2080 639 2110"> <tr> <td>Pump outlet:</td> <td>RP2</td> </tr> </table>	Pumped liquid:	Water	Maximum liquid temperature:	104 °F	Max liquid temperature at 0.15 m/sec:	104 °F	Selected liquid temperature:	68 °F	Density:	62.29 lb/ft <sup>3</sup>	Pump speed on which pump data is based:	2900 rpm	Rated flow:	39.6 US gpm	Rated head:	835.7 ft	Shaft seal for motor:	CER/CARNBR	Approvals on nameplate:	CE,GOST2	Curve tolerance:	ISO9906:2012 3B	Motor version:	T40	Pump:	Stainless steel EN 1.4301 AISI 304	Impeller:	Stainless steel EN 1.4301 AISI 304	Motor:	Stainless steel DIN W.-Nr. 1.4301 AISI 304	Pump outlet:	RP2
Pumped liquid:	Water																																
Maximum liquid temperature:	104 °F																																
Max liquid temperature at 0.15 m/sec:	104 °F																																
Selected liquid temperature:	68 °F																																
Density:	62.29 lb/ft <sup>3</sup>																																
Pump speed on which pump data is based:	2900 rpm																																
Rated flow:	39.6 US gpm																																
Rated head:	835.7 ft																																
Shaft seal for motor:	CER/CARNBR																																
Approvals on nameplate:	CE,GOST2																																
Curve tolerance:	ISO9906:2012 3B																																
Motor version:	T40																																
Pump:	Stainless steel EN 1.4301 AISI 304																																
Impeller:	Stainless steel EN 1.4301 AISI 304																																
Motor:	Stainless steel DIN W.-Nr. 1.4301 AISI 304																																
Pump outlet:	RP2																																



Company name:

Created by:

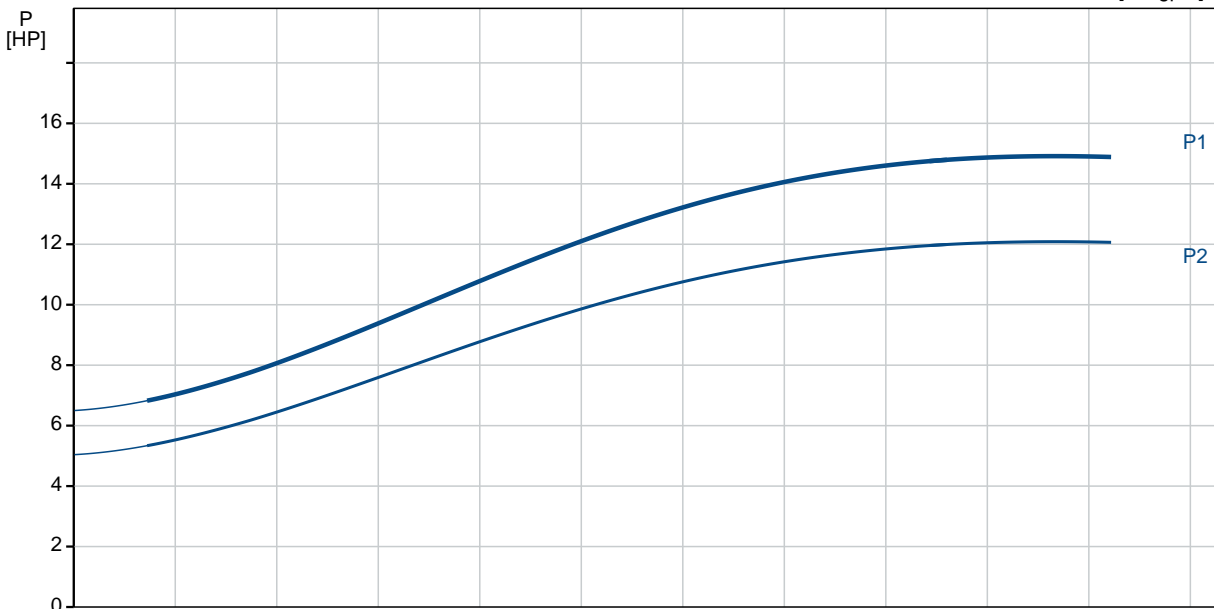
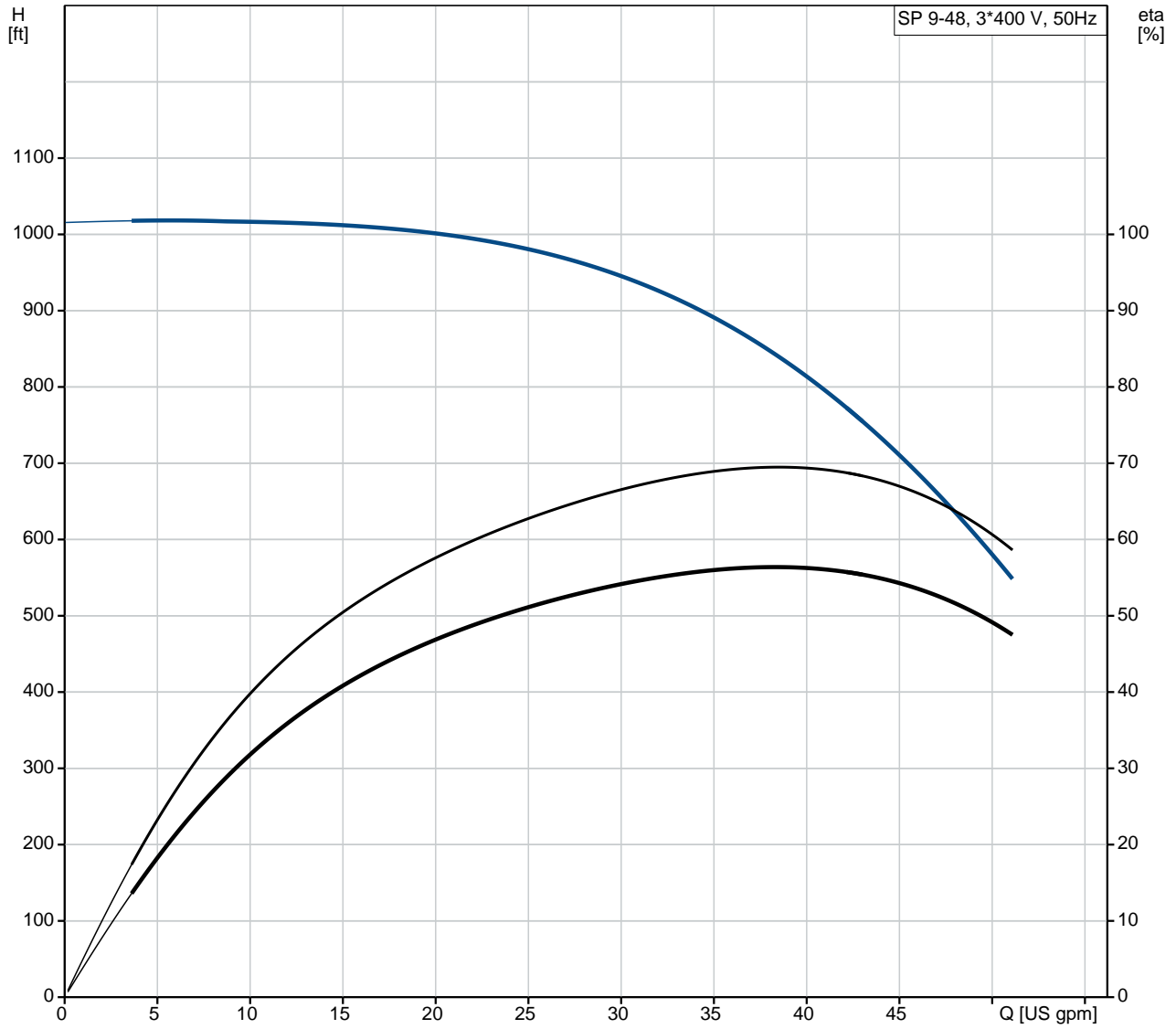
Phone:

Date:

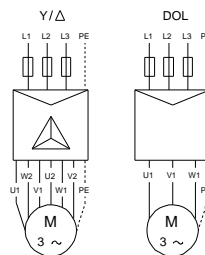
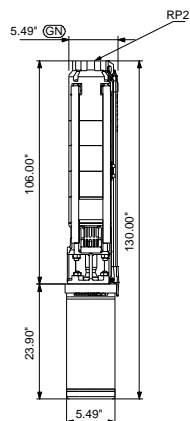
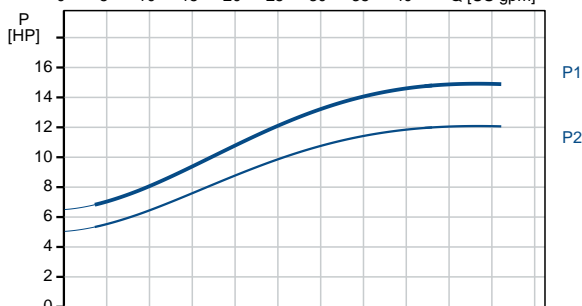
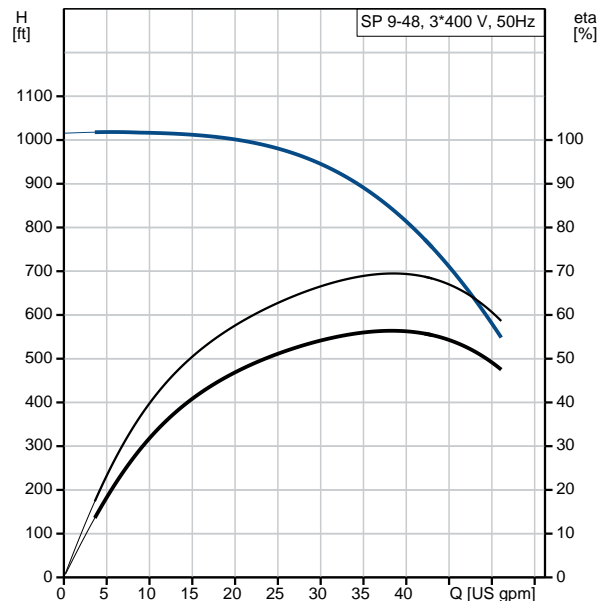
6/14/2019

Count	Description
	Motor diameter: 6 inch
	<b>Electrical data:</b>
	Motor type: MS6000
	Rated power - P2: 12.5 HP
	Power (P2) required by pump: 12.5 HP
	Main frequency: 50 Hz
	Rated voltage: 3 x 380-400-415 V
	Rated current: 21.8-21.2-21.2 A
	Starting current: 480-520-550 %
	Cos phi - power factor: 0.84-0.82-0.78
	Rated speed: 2850-2870-2880 rpm
	Start. method: direct-on-line
	Enclosure class (IEC 34-5): IP68
	Insulation class (IEC 85): F
	Built-in temperature transmitter: yes
	Motor Number: 78195513
	<b>Others:</b>
	Minimum efficiency index, MEI : 0.70
	ErP status: EuP Standalone/Prod.
	Net weight: 178 lb
	Gross weight: 278 lb
	Shipping volume: 14.5 ft <sup>3</sup>
	Danish VVS No.: 388480348

## 98699073 SP 9-48 50 Hz



Description	Value
<b>General information:</b>	
Product name:	SP 9-48
Product No.:	98699073
EAN:	5712600106291
<b>Technical:</b>	
Pump speed on which pump data is based:	2900 rpm
Rated flow:	39.6 US gpm
Rated head:	835.7 ft
Stages:	48
Impeller reduc.:	NONE
Shaft seal for motor:	CER/CARNBR
Approvals on nameplate:	CE,GOST2
Curve tolerance:	ISO9906:2012 3B
Model:	A
Valve:	YES
Motor version:	T40
<b>Materials:</b>	
Pump:	Stainless steel EN 1.4301 AISI 304
Impeller:	Stainless steel EN 1.4301 AISI 304
Motor:	Stainless steel DIN W.-Nr. 1.4301 AISI 304
<b>Installation:</b>	
Pump outlet:	RP2
Motor diameter:	6 inch
<b>Liquid:</b>	
Pumped liquid:	Water
Maximum liquid temperature:	104 °F
Max liquid temperature at 0.15 m/sec:	104 °F
Selected liquid temperature:	68 °F
Density:	62.29 lb/ft³
<b>Electrical data:</b>	
Motor type:	MS6000
Applic. motor:	NEMA
Rated power - P2:	12.5 HP
Power (P2) required by pump:	12.5 HP
Main frequency:	50 Hz
Rated voltage:	3 x 380-400-415 V
Rated current:	21.8-21.2-21.2 A
Starting current:	480-520-550 %
Cos phi - power factor:	0.84-0.82-0.78
Rated speed:	2850-2870-2880 rpm
Start. method:	direct-on-line
Enclosure class (IEC 34-5):	IP68
Insulation class (IEC 85):	F
Motor protection:	NONE
Thermal protec:	external
Built-in temperature transmitter:	yes
Motor Number:	78195513
<b>Others:</b>	
Minimum efficiency index, MEI :	0.70
ErP status:	EuP Standalone/Prod.
Net weight:	178 lb



U1, W2	Brown
V1, U2	Black
W1, V2	Grey



Company name:

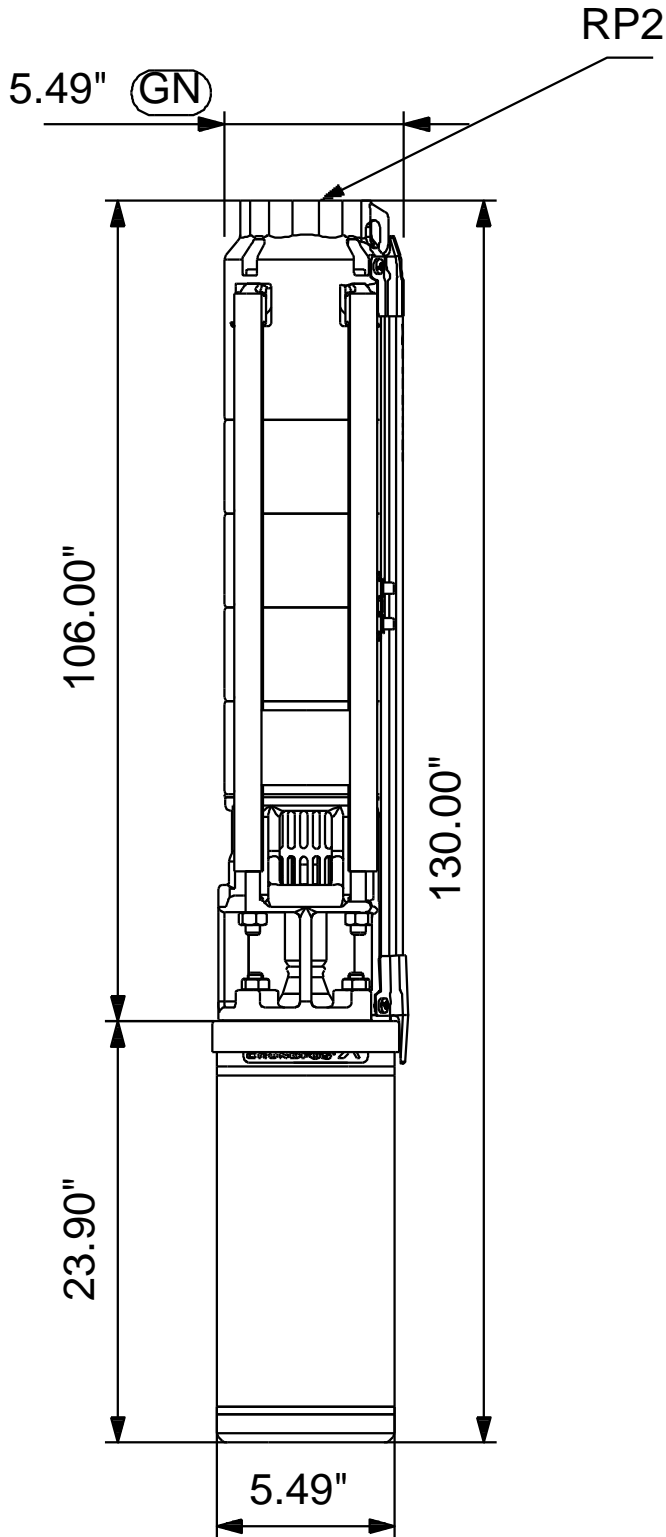
Created by:

Phone:

Date: 6/14/2019

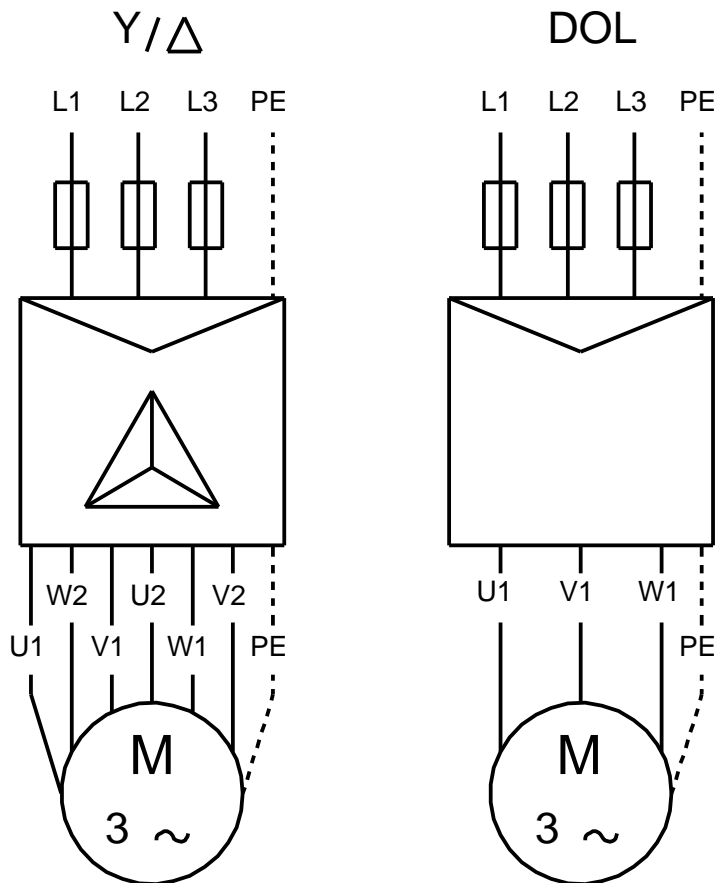
Description	Value
Gross weight:	278 lb
Shipping volume:	14.5 ft <sup>3</sup>
Danish VVS No.:	388480348

## 98699073 SP 9-48 50 Hz



Note! All units are in [in] unless otherwise stated.  
Disclaimer: This simplified dimensional drawing does not show all details.

**98699073 SP 9-48 50 Hz**



U1, W2	Brown
V1, U2	Black
W1, V2	Grey

All units are [in] unless otherwise presented.



Company name:

Created by:

Phone:

Date: 6/14/2019

---

**Order Data:**

Product name: SP 9-48

Amount: 1

Product No.: 98699073

Total: Price on request

---