


| Position | Count | Description   |
|----------|-------|---|
|          | 1     | <p><b>CM15-3 A-R-I-E-AQQE</b></p>  <p>Product No.: <a href="#">98669726</a></p> <p>Compact, reliable, horizontal, multistage, end-suction centrifugal pump with axial suction port and radial discharge port. Pump materials in contact with the liquid are in stainless steel. The mechanical shaft seal is a special designed, unbalanced O-ring seal. Pipework connection is via internal Whitworth pipe threads, Rp (ISO 7/1).</p> <p>The pump is fitted with a 3-phase, foot-mounted, fan-cooled asynchronous motor.</p> <p><b>Liquid:</b><br/> Pumped liquid: Water<br/> Liquid temperature range: -4 .. 248 °F<br/> Liquid temperature during operation: 68 °F<br/> Density: 62.29 lb/ft<sup>3</sup></p> <p><b>Technical:</b><br/> Rated flow: 74.8 US gpm<br/> Rated head: 137.1 ft<br/> Primary shaft seal: AQQE<br/> Approvals on nameplate: CE,WRAS,ACS,TR,EAC<br/> Curve tolerance: ISO9906:2012 3B</p> <p><b>Materials:</b><br/> Pump housing: Stainless steel<br/> DIN W.-Nr. 1.4301<br/> AISI 304<br/> Impeller: Stainless steel<br/> DIN W.-Nr. 1.4301<br/> AISI 304<br/> Rubber: EPDM</p> <p><b>Installation:</b><br/> Maximum ambient temperature: 131 °F<br/> Maximum operating pressure: 145 psi<br/> Max pressure at stated temperature: 145 psi / 250 °F<br/> Flange standard: WHITWORTH THREAD RP<br/> Pump inlet: Rp 2<br/> Pump outlet: Rp 2</p> <p><b>Electrical data:</b><br/> Motor type: 112MC<br/> IE Efficiency class: IE3<br/> Rated power - P2: 5.5 HP<br/> Main frequency: 50 Hz<br/> Rated voltage: 3 x 220-240D/380-415Y V<br/> Rated current: 13,8-13,2/8,00-7,65 A<br/> Starting current: 1120-1230 %<br/> Rated speed: 2920-2940 rpm<br/> Motor efficiency at full load: 89.2 %<br/> Enclosure class (IEC 34-5): IP55</p> |



Company name:

Created by:

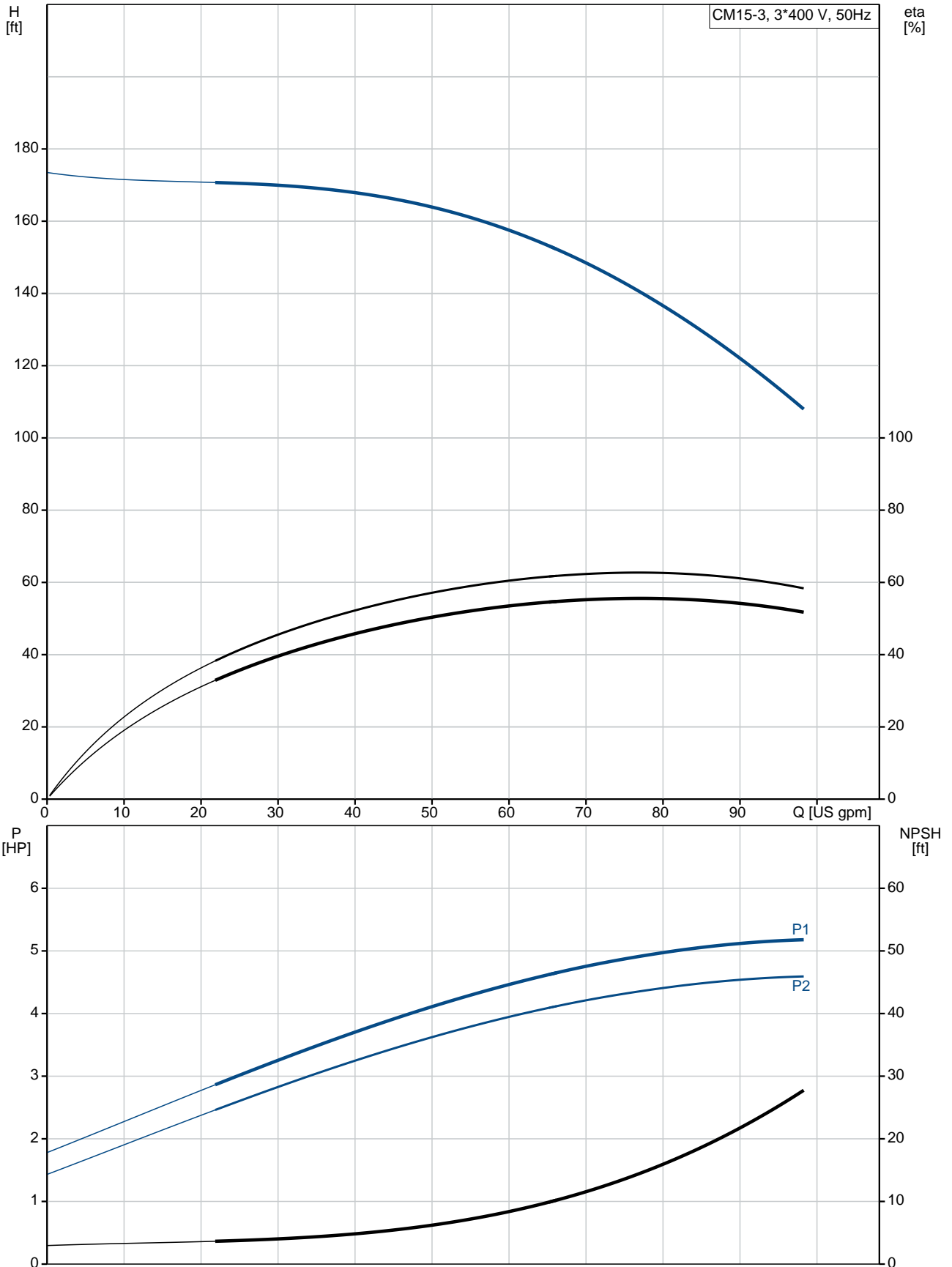
Phone:

Date:

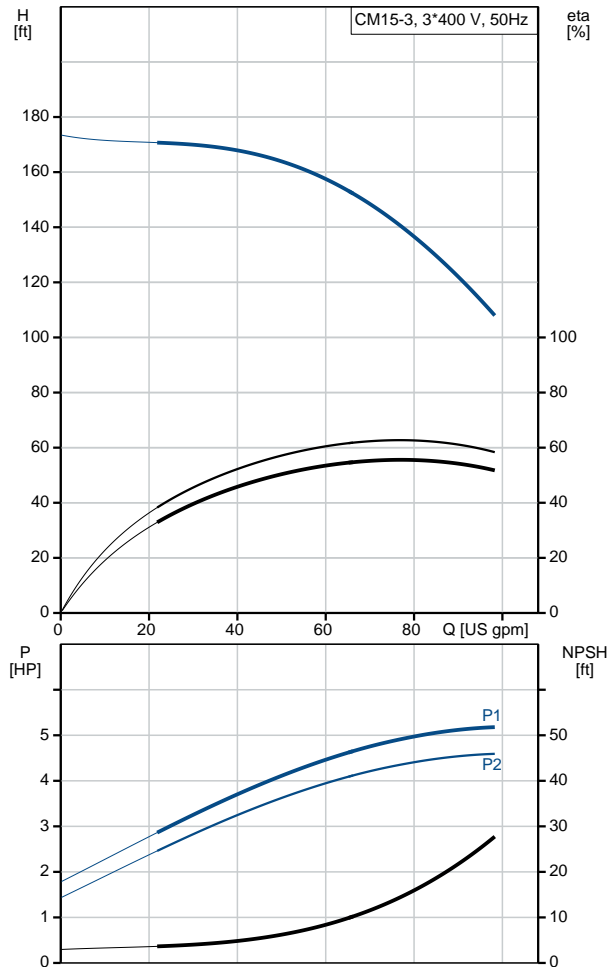
10/4/2018

| Position | Count | Description   |
|----------|-------|---|
|          |       | <p data-bbox="341 338 726 371">Insulation class (IEC 85): F</p> <p data-bbox="341 400 432 430"><b>Others:</b></p> <p data-bbox="341 432 775 463">Minimum efficiency index, MEI : 0.59</p> <p data-bbox="341 463 775 495">Net weight: 104 lb</p> <p data-bbox="341 495 775 524">Gross weight: 109 lb</p> <p data-bbox="341 524 743 553">Country of origin: HU</p> <p data-bbox="341 553 818 582">Custom tariff no.: 84137075</p> |

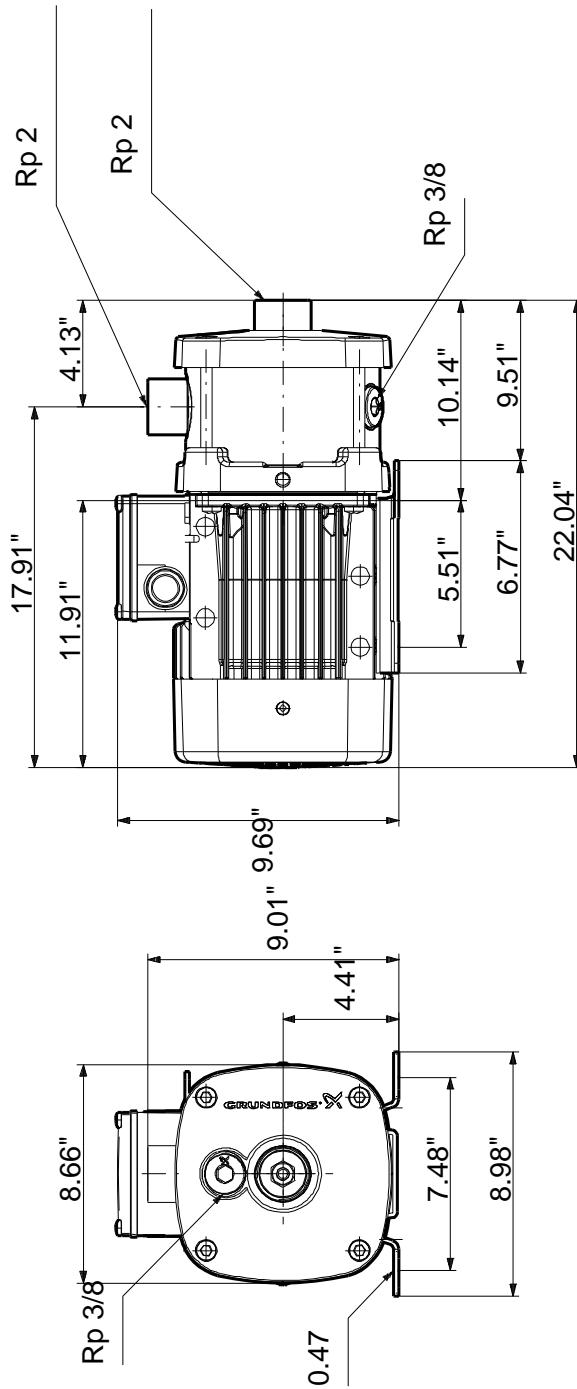
## 98669726 CM15-3 A-R-I-E-AQQE 50 Hz



| Description                          | Value  |
|--------------------------------------|--|
| <b>General information:</b>          |  |
| Product name:                        | CM15-3 A-R-I-E-AQQE                              |
| Product No.:                         | 98669726   |
| EAN:                                 | 5711499294546                                    |
| <b>Technical:</b>                    |  |
| Rated flow:                          | 74.8 US gpm                                      |
| Rated head:                          | 137.1 ft   |
| Impellers:                           | 3  |
| Primary shaft seal:                  | AQQE   |
| Approvals on nameplate:              | CE,WRAS,ACS,TR,EAC                               |
| Curve tolerance:                     | ISO9906:2012 3B                                  |
| Pump version:                        | A  |
| Model:                               | A  |
| <b>Materials:</b>                    |  |
| Pump housing:                        | Stainless steel<br>DIN W.-Nr. 1.4301<br>AISI 304 |
| Impeller:                            | Stainless steel<br>DIN W.-Nr. 1.4301<br>AISI 304 |
| Material code:                       | I  |
| Rubber:                              | EPDM   |
| Code for rubber:                     | E  |
| <b>Installation:</b>                 |  |
| Maximum ambient temperature:         | 131 °F   |
| Maximum operating pressure:          | 145 psi  |
| Max pressure at stated temperature:  | 145 psi / 250 °F                                 |
| Flange standard:                     | WHITWORTH THREAD RP                              |
| Pump inlet:                          | Rp 2   |
| Pump outlet:                         | Rp 2   |
| Connect code:                        | R  |
| <b>Liquid:</b>                       |  |
| Pumped liquid:                       | Water  |
| Liquid temperature range:            | -4 .. 248 °F                                     |
| Liquid temperature during operation: | 68 °F  |
| Density:                             | 62.29 lb/ft³                                     |
| <b>Electrical data:</b>              |  |
| Motor type:                          | 112MC  |
| IE Efficiency class:                 | IE3  |
| Rated power - P2:                    | 5.5 HP   |
| Main frequency:                      | 50 Hz  |
| Rated voltage:                       | 3 x 220-240D/380-415Y V                          |
| Rated current:                       | 13,8-13,2/8,00-7,65 A                            |
| Starting current:                    | 1120-1230 %                                      |
| Rated speed:                         | 2920-2940 rpm                                    |
| Motor efficiency at full load:       | 89.2 %   |
| Enclosure class (IEC 34-5):          | IP55   |
| Insulation class (IEC 85):           | F  |
| Motor protection:                    | TP211  |
| <b>Others:</b>                       |  |
| Minimum efficiency index, MEI :      | 0.59   |
| Net weight:                          | 104 lb   |
| Gross weight:                        | 109 lb   |
| Country of origin:                   | HU   |
| Custom tariff no.:                   | 84137075   |

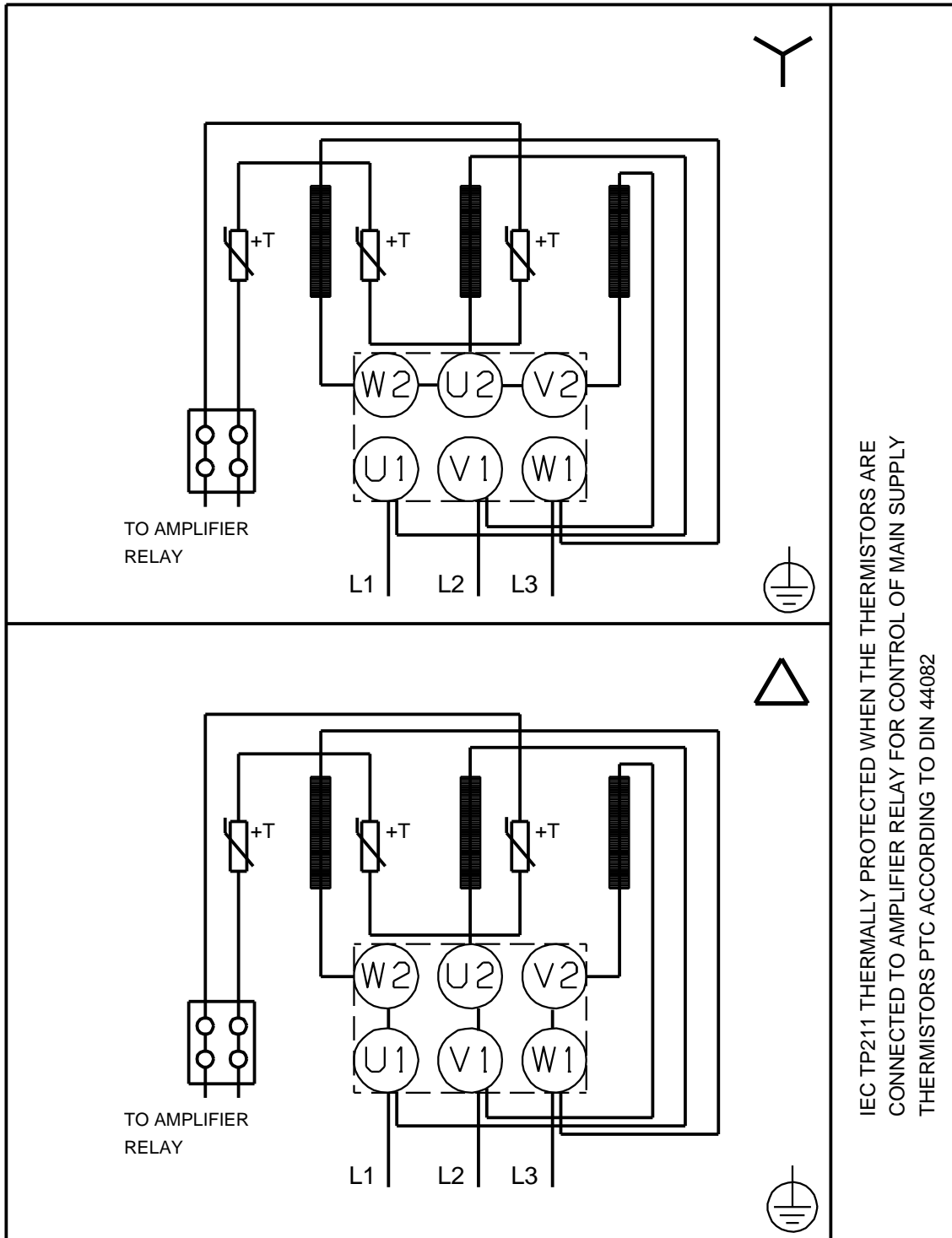


## 98669726 CM15-3 A-R-I-E-AQQE 50 Hz



Note! All units are in [mm] unless otherwise stated.  
 Disclaimer: This simplified dimensional drawing does not show all details.

## 98669726 CM15-3 A-R-I-E-AQQE 50 Hz



IEC TP211 THERMALLY PROTECTED WHEN THE THERMISTORS ARE  
CONNECTED TO AMPLIFIER RELAY FOR CONTROL OF MAIN SUPPLY  
THERMISTORS PTC ACCORDING TO DIN 44082

All units are [mm] unless otherwise presented.