
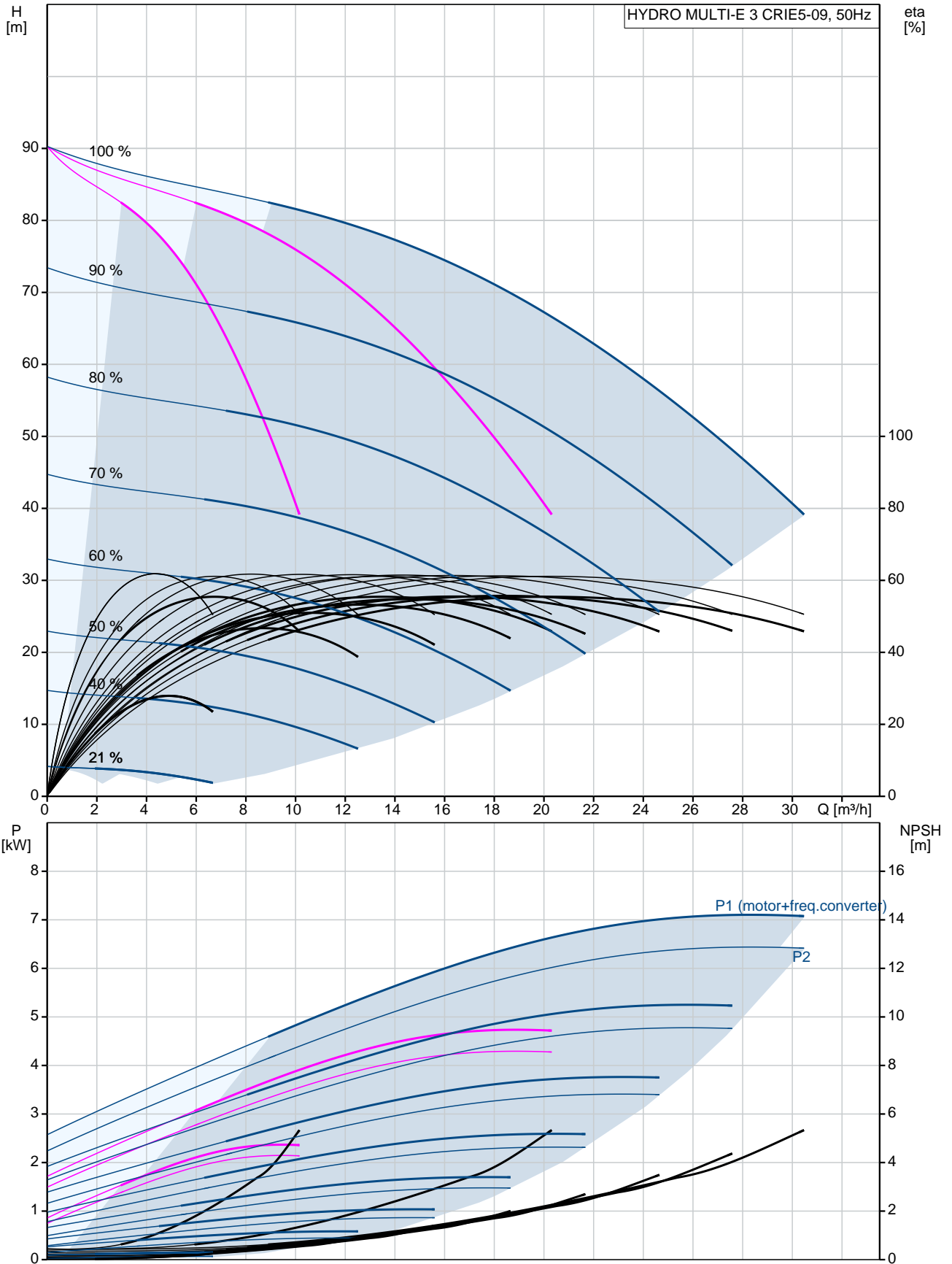


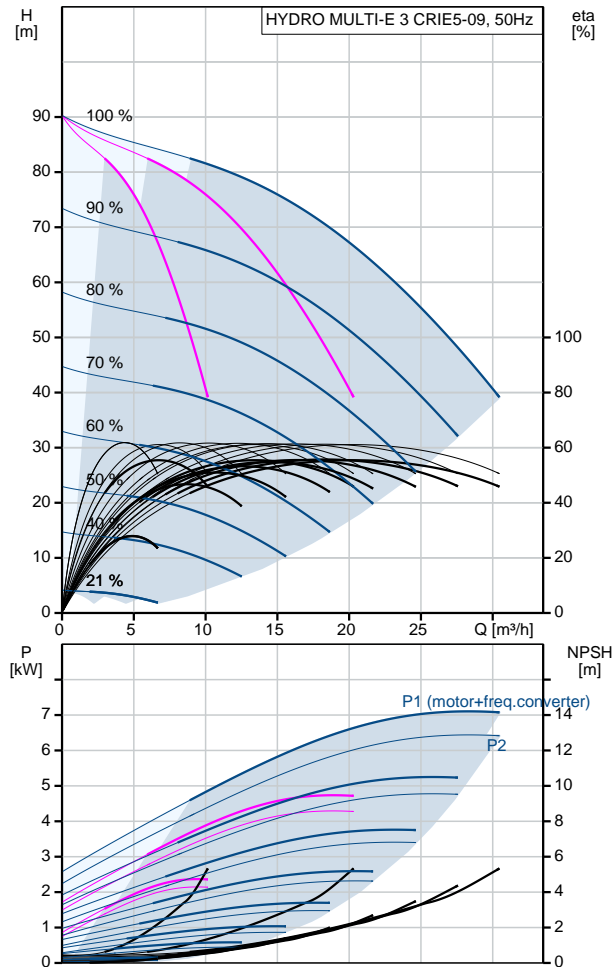
| Position | Qty. | Description   |
|----------|------|---|
|          | 1    | <p data-bbox="320 338 655 365"><b>HYDRO MULTI-E 3 CRIE5-09</b></p> <div data-bbox="379 409 635 611" style="text-align: center;">  </div> <p data-bbox="711 611 1193 638" style="text-align: center;"><b>Note! Product picture may differ from actual product</b></p> <p data-bbox="320 640 584 667">Product No.: <a href="#">98486777</a></p> <p data-bbox="320 701 1449 754">GRUNDFOS Hydro Multi-E booster sets are designed for the transfer and pressure boosting of clean water in waterworks, blocks of flats, hotels, industry, hospitals, schools, etc.</p> <p data-bbox="320 757 1449 810">GRUNDFOS Hydro Multi-E booster set consists of 2 to 4 CRIE pumps coupled in parallel and mounted on a common base frame provided with all the necessary fittings.</p> <p data-bbox="320 846 1449 1003">Hydro Multi-E is mounted on a common base frame made of stainless steel (DIN W.-Nr. 1.4301). On the suction side are fitted a suction manifold (DIN W.-Nr. 1.4401 or DIN W.-Nr. 1.4571) , a pressure switch mounted on a drainable valve and an isolating valve. On the discharge side of the pumps are fitted a non-return valve, an isolating valve, a pressure gauge, two pressure transmitters mounted on a drainable valve a diaphragm tank and a stainless steel discharge manifold (DIN W.-Nr. 1.4401 or DIN W.-Nr. 1.4571).</p> <p data-bbox="320 1016 1086 1043">The Hydro Multi-E is fitted with an on/off-switch for the supply voltage.</p> <p data-bbox="320 1077 1398 1131">The Hydro Multi-E is designed for maintaining a constant pressure regardless of flow changes and fluctuation.</p> <p data-bbox="320 1167 1345 1220">The internal PI-controller regulates the number of running pumps and the speed of the pumps according to the required flow.</p> <p data-bbox="320 1256 1457 1310">The system can be operated directly on the panel of any of the pumps or via Grundfos GO (available as accessory)</p> <p data-bbox="320 1346 979 1606">Besides the system features:<br/>                 2 Digital outputs<br/>                 2 Digital inputs (one used for dry run protection)<br/>                 2 Analogue inputs (one used for discharge pressure sensor)<br/>                 Multi-Master functionality<br/>                 2 Limit functions<br/>                 Set-point influence function<br/>                 Pipe filling function<br/>                 High efficient PM motors</p> <p data-bbox="320 1641 708 1937">Available communication protocols:<br/>                 •LON<br/>                 •Profibus<br/>                 •Modbus<br/>                 •SMS/GSM/GPRS<br/>                 •GRM<br/>                 •BACnet<br/>                 •BACnet IP<br/>                 •Modbus TCP<br/>                 •PROFINET</p> <p data-bbox="320 1973 1426 2000">When delivered, the GRUNDFOS Hydro Multi-E booster set is factory tested and ready for operation.</p> <p data-bbox="320 2058 405 2085"><b>Liquid:</b></p> |

| Position | Qty. | Description  |
|----------|------|--|
|          |      | Pumped liquid: Water<br>Liquid temperature range: 5 .. 60 °C<br>Liquid temperature during operation: 20 °C<br>Density: 998.2 kg/m <sup>3</sup><br><br><b>Materials:</b><br>Pump housing: Stainless steel<br><br><b>Installation:</b><br>Maximum operating pressure: 16 bar<br>Maximum inlet pressure: PN 16 bar<br>Flange standard: DIN ISO 7/1<br>Manifold inlet: R 2<br>Manifold outlet: R 2<br><br><b>Electrical data:</b><br>IE Efficiency class: IE5<br>Power (P2) main pump: 2.2 kW<br>Mains frequency: 50 Hz<br>Rated voltage: 3 x 380-415 V<br>Rated current: 12.1 A<br>Start. method: electronically<br>Enclosure class (IEC 34-5): IP54<br><br><b>Tank:</b><br>Volume of pressure tank: 12 l<br>Diaphragm tank: Yes<br><br><b>Others:</b><br>Net weight: 166 kg<br>Gross weight: 188 kg<br>Shipping volume: 0.648 m <sup>3</sup><br>Language: GB<br>Country of origin: DE<br>Custom tariff no.: 84137075 |

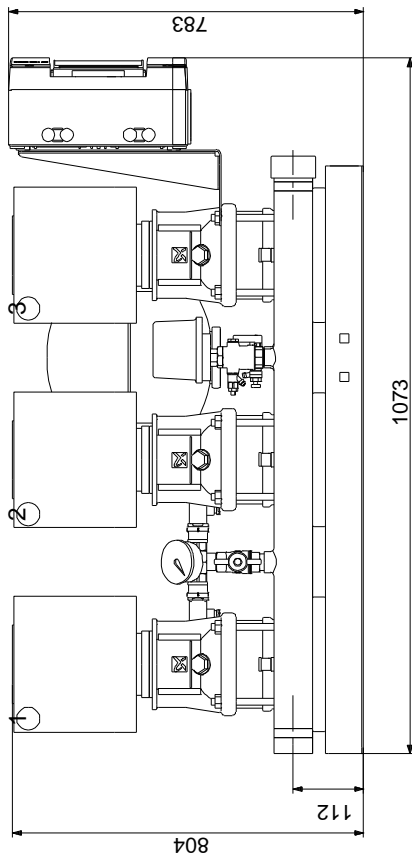
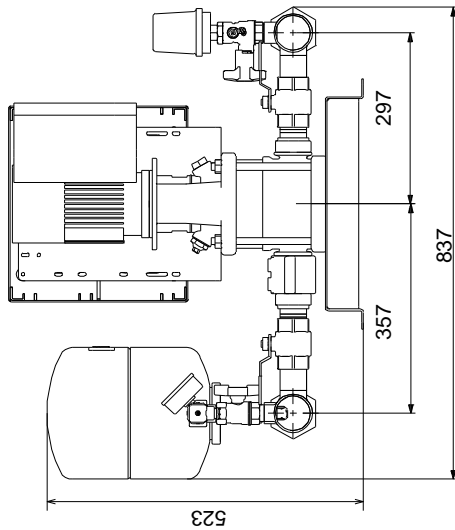
## 98486777 HYDRO MULTI-E 3 CRIE5-09 50 Hz



| Description                          | Value                   |
|--------------------------------------|-------------------------|
| <b>General information:</b>          |                         |
| Product name:                        | HYDRO MULTI-E 3         |
| Product No:                          | CRIE5-09                |
| EAN number:                          | 98486777                |
|                                      | 5711495954444           |
| <b>Technical:</b>                    |                         |
| Min flow system:                     | 0.69 m <sup>3</sup> /h  |
| Max flow:                            | 30.6 m <sup>3</sup> /h  |
| Head max:                            | 93 m                    |
| Pump name:                           | CRIE5-09                |
| Number of pumps:                     | 3                       |
| <b>Materials:</b>                    |                         |
| Pump housing:                        | Stainless steel         |
| Manifolds:                           | Stainless steel         |
| <b>Installation:</b>                 |                         |
| Maximum operating pressure:          | 16 bar                  |
| Maximum inlet pressure:              | PN 16 bar               |
| Flange standard:                     | DIN ISO 7/1             |
| Manifold inlet:                      | R 2                     |
| Manifold outlet:                     | R 2                     |
| <b>Liquid:</b>                       |                         |
| Pumped liquid:                       | Water                   |
| Liquid temperature range:            | 5 .. 60 °C              |
| Liquid temperature during operation: | 20 °C                   |
| Density:                             | 998.2 kg/m <sup>3</sup> |
| <b>Electrical data:</b>              |                         |
| IE Efficiency class:                 | IE5                     |
| Power (P2) main pump:                | 2.2 kW                  |
| Mains frequency:                     | 50 Hz                   |
| Rated voltage:                       | 3 x 380-415 V           |
| Rated current:                       | 12.1 A                  |
| Start. method:                       | electronically          |
| Enclosure class (IEC 34-5):          | IP54                    |
| <b>Tank:</b>                         |                         |
| Volume of pressure tank:             | 12 l                    |
| Diaphragm tank:                      | Yes                     |
| <b>Others:</b>                       |                         |
| Net weight:                          | 166 kg                  |
| Gross weight:                        | 188 kg                  |
| Shipping volume:                     | 0.648 m <sup>3</sup>    |
| Language:                            | GB                      |
| Product range:                       | International           |
| Country of origin:                   | DE                      |
| Custom tariff no.:                   | 84137075                |

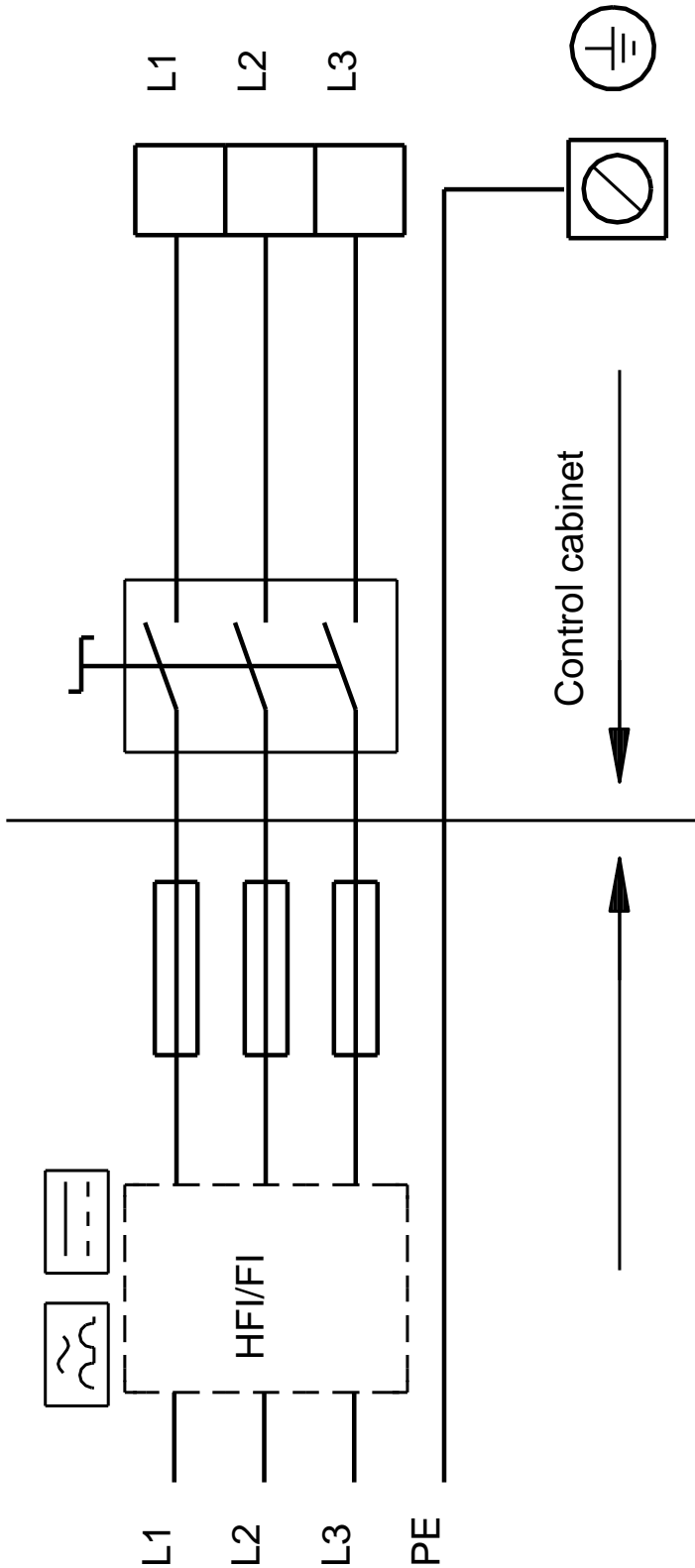


## 98486777 HYDRO MULTI-E 3 CRIE5-09 50 Hz



Note! All units are in [mm] unless others are stated.  
Disclaimer: This simplified dimensional drawing does not show all details.

## 98486777 HYDRO MULTI-E 3 CRIE5-09 50 Hz



Note! All units are in [mm] unless others are stated.