


Qty.	Description
1	<p data-bbox="199 338 531 367">TPE2 65-180-N A-F-A-BQQE</p>  <p data-bbox="199 660 467 689">Product No.: 98438359</p> <p data-bbox="199 719 1445 797">Single-stage, close-coupled, volute pump with in-line suction and discharge ports of identical diameter. The pump is of the top-pull-out design, i.e. the power head (motor, pump head and impeller) can be removed for maintenance or service while the pump housing remains in the pipework.</p> <p data-bbox="199 804 1414 857">The shaft seal is according to EN 12756. Pipework connection is via PN 6/10 DIN flanges (EN 1092-2 and ISO 7005-2).</p> <p data-bbox="199 864 1441 916">The pump is fitted with a fan-cooled, permanent-magnet synchronous motor. The motor efficiency is classified as IE5 in accordance with IEC 60034-30-2.</p> <p data-bbox="199 922 1430 974">The motor includes a frequency converter and PI controller in the motor terminal box. This enables continuously variable control of the motor speed, which again enables adaptation of the performance to a given requirement.</p> <p data-bbox="199 1039 314 1068">Controls:</p> <p data-bbox="199 1068 643 1097">Frequency converter: Built-in</p> <p data-bbox="199 1126 287 1155">Liquid:</p> <p data-bbox="199 1155 635 1184">Pumped liquid: Water</p> <p data-bbox="199 1184 707 1214">Liquid temperature range: -25 .. 120 °C</p> <p data-bbox="199 1214 687 1243">Liquid temperature during operation: 20 °C</p> <p data-bbox="199 1243 699 1272">Density: 998.2 kg/m³</p> <p data-bbox="199 1301 327 1330">Technical:</p> <p data-bbox="199 1330 821 1359">Pump speed on which pump data are based: 4470 rpm</p> <p data-bbox="199 1359 671 1388">Rated flow: 37.2 m³/h</p> <p data-bbox="199 1388 643 1417">Rated head: 11.9 m</p> <p data-bbox="199 1417 643 1447">Actual impeller diameter: 78 mm</p> <p data-bbox="199 1447 638 1476">Primary shaft seal: BQQE</p> <p data-bbox="199 1476 764 1505">Curve tolerance: ISO9906:2012 3B</p> <p data-bbox="199 1534 319 1563">Materials:</p> <p data-bbox="199 1563 746 1657">Pump housing: Cast iron EN-JL1040 ASTM A48-40 B</p> <p data-bbox="199 1657 879 1686">Impeller: Composite PES/PP 30% GF</p> <p data-bbox="199 1715 343 1744">Installation:</p> <p data-bbox="199 1744 694 1774">Range of ambient temperature: -20 .. 50 °C</p> <p data-bbox="199 1774 638 1803">Maximum operating pressure: 10 bar</p> <p data-bbox="199 1803 611 1832">Flange standard: DIN</p> <p data-bbox="199 1832 638 1861">Pipe connection: DN 65</p> <p data-bbox="199 1861 659 1890">Pressure rating: PN 6/10</p> <p data-bbox="199 1890 659 1919">Port-to-port length: 340 mm</p> <p data-bbox="199 1919 611 1948">Flange size for motor: 56C</p> <p data-bbox="199 1977 379 2007">Electrical data:</p> <p data-bbox="199 2007 628 2036">Motor type: 90SB</p> <p data-bbox="199 2036 604 2065">IE Efficiency class: IE5</p> <p data-bbox="199 2065 643 2094">Rated power - P2: 1.5 kW</p>

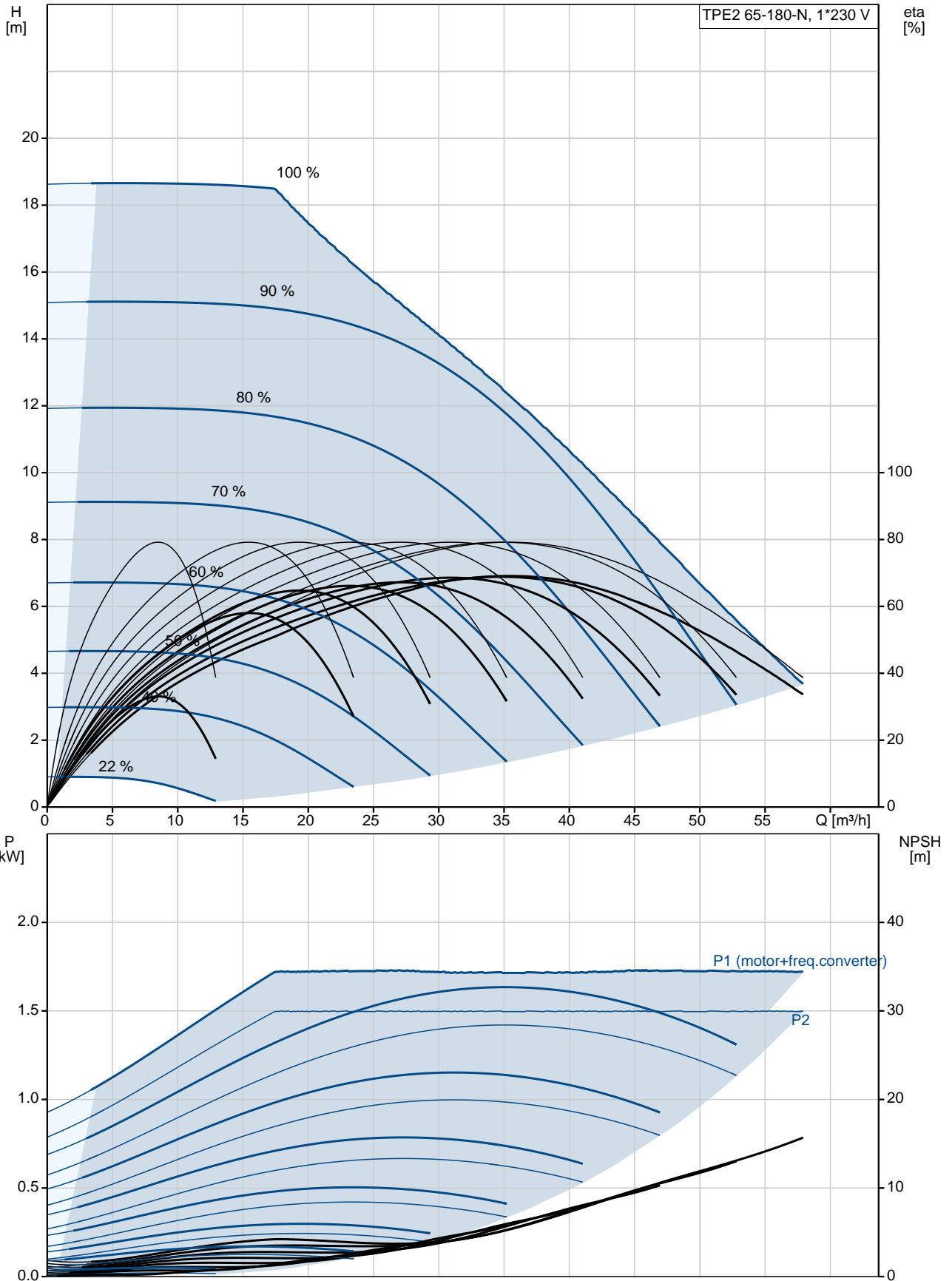
Qty.	Description
------	-------------

Mains frequency:	50 Hz
Rated voltage:	1 x 200-240 V
Rated current:	9.20-7.60 A
Cos phi - power factor:	0.99
Rated speed:	480-5900 rpm
Efficiency:	87.5%
Motor efficiency at full load:	87.5 %
Enclosure class (IEC 34-5):	IP55
Insulation class (IEC 85):	F

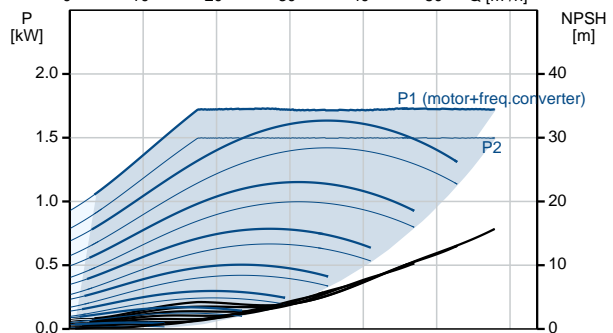
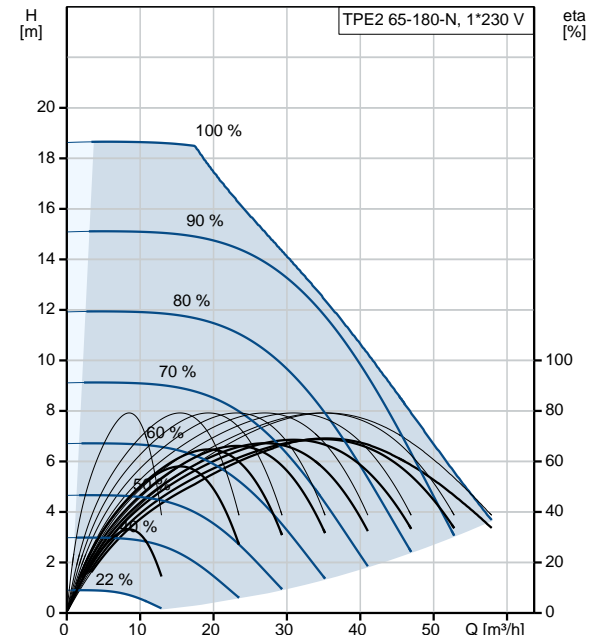
Others:

Minimum efficiency index, MEI =:	0.7
ErP status:	EuP Standalone/Prod.
Net weight:	29 kg
Gross weight:	37.7 kg
Shipping volume:	0.16 m ³
Norwegian NRF no.:	9043492
Country of origin:	HU
Custom tariff no.:	84137051

98438359 TPE2 65-180-N A-F-A-BQQE 50 Hz



Description	Value
General information:	
Product name:	TPE2 65-180-N A-F-A-BQQE
Product No:	98438359
EAN number:	5711495017279
Technical:	
Pump speed on which pump data are based:	4470 rpm
Rated flow:	37.2 m ³ /h
Rated head:	11.9 m
Head max:	180 dm
Actual impeller diameter:	78 mm
Primary shaft seal:	BQQE
Curve tolerance:	ISO9906:2012 3B
Pump version:	A
Model:	A
Materials:	
Pump housing:	Cast iron
	EN-JL1040
	ASTM A48-40 B
Impeller:	Composite PES/PP 30% GF
Material code:	A
Installation:	
Range of ambient temperature:	-20 .. 50 °C
Maximum operating pressure:	10 bar
Flange standard:	DIN
Pipe connection:	DN 65
Pressure rating:	PN 6/10
Port-to-port length:	340 mm
Flange size for motor:	56C
Connect code:	F
Liquid:	
Pumped liquid:	Water
Liquid temperature range:	-25 .. 120 °C
Liquid temperature during operation:	20 °C
Density:	998.2 kg/m ³
Electrical data:	
Motor type:	90SB
IE Efficiency class:	IE5
Rated power - P2:	1.5 kW
Mains frequency:	50 Hz
Rated voltage:	1 x 200-240 V
Rated current:	9.20-7.60 A
Cos phi - power factor:	0.99
Rated speed:	480-5900 rpm
Efficiency:	87.5%
Motor efficiency at full load:	87.5 %
Enclosure class (IEC 34-5):	IP55
Insulation class (IEC 85):	F
Motor protec:	YES
Motor No:	99138031
Controls:	
Control panel:	HMI200 - Standard
Function Module:	FM300 - Advanced
Frequency converter:	Built-in
Others:	
Minimum efficiency index, MEI =:	0.7
ErP status:	EuP Standalone/Prod.
Net weight:	29 kg





Company name:

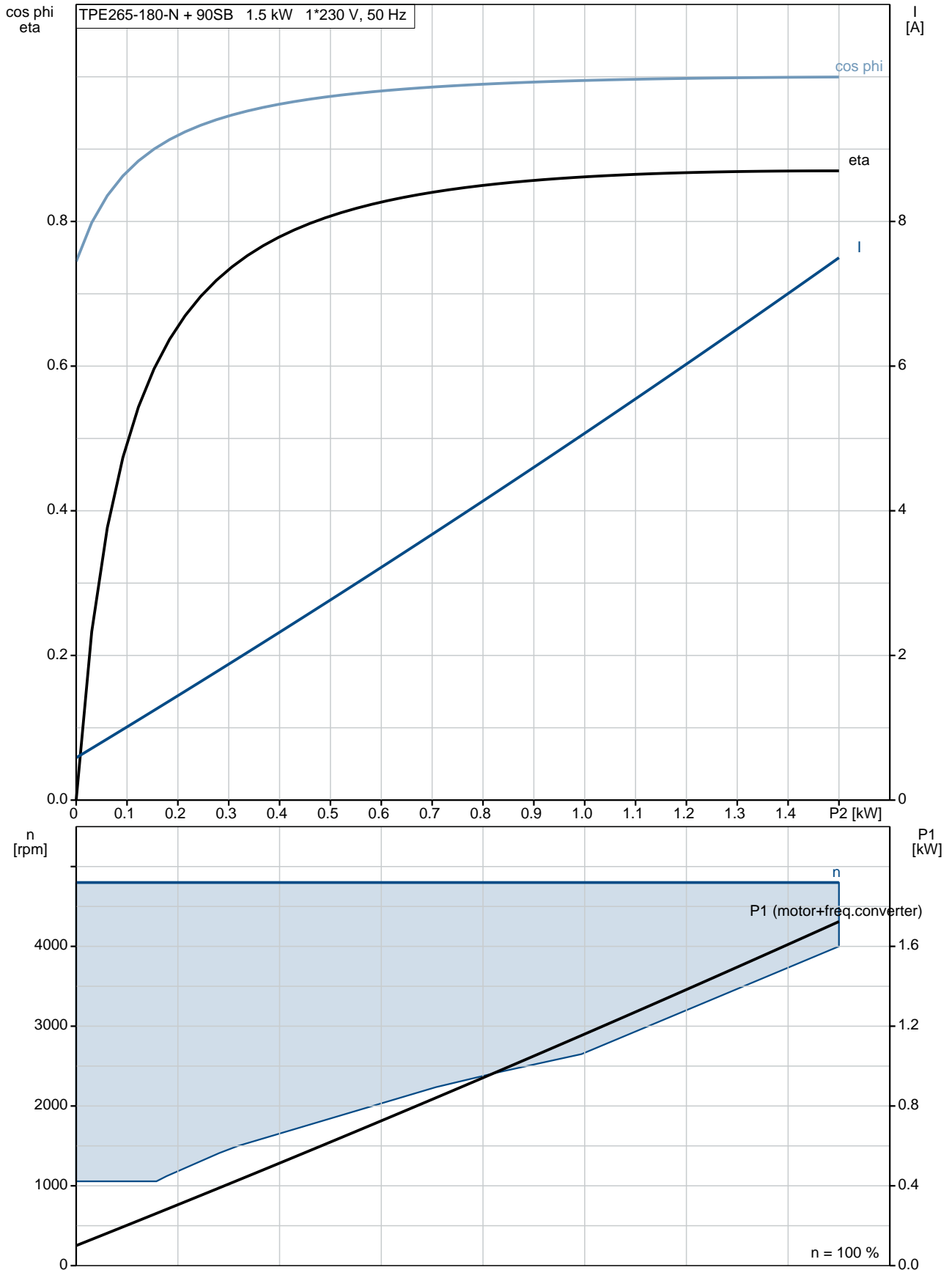
Created by:

Phone:

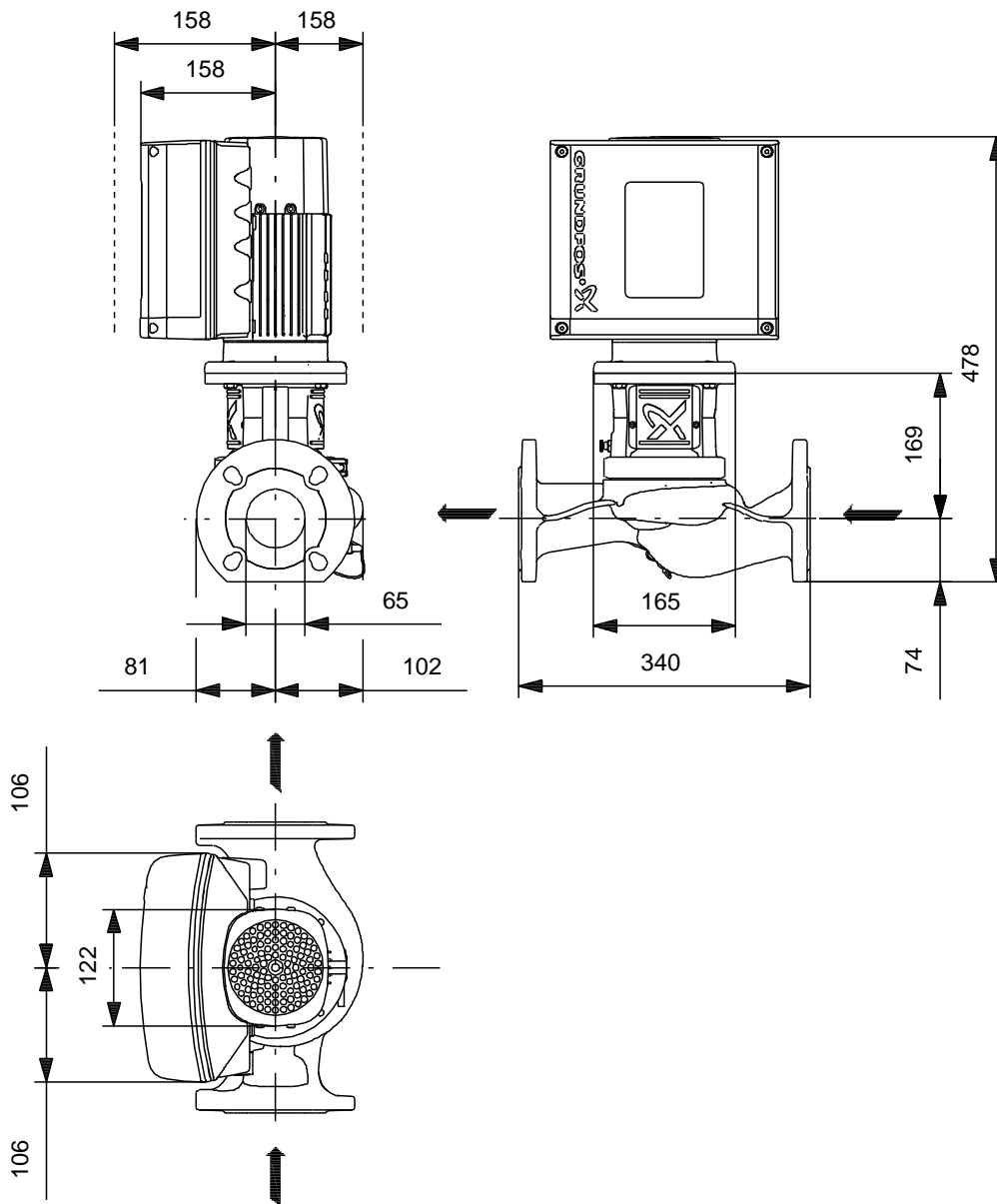
Date: 21/12/2018

Description	Value
Gross weight:	37.7 kg
Shipping volume:	0.16 m ³
Config. file no:	98819183
Norwegian NRF no.:	9043492
Country of origin:	HU
Custom tariff no.:	84137051

98438359 TPE2 65-180-N A-F-A-BQQE 50 Hz

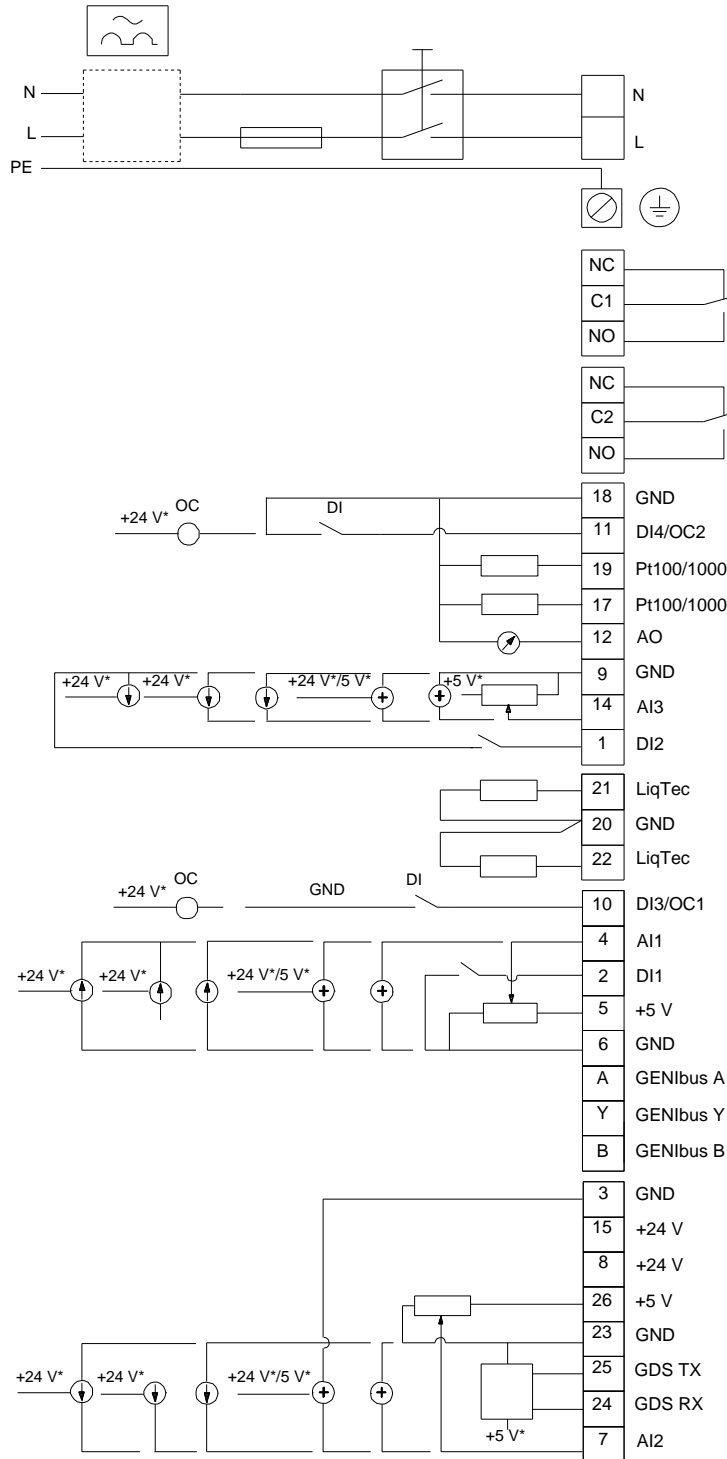


98438359 TPE2 65-180-N A-F-A-BQQE 50 Hz



Note! All units are in [mm] unless others are stated.
Disclaimer: This simplified dimensional drawing does not show all details.

98438359 TPE2 65-180-N A-F-A-BQQE 50 Hz



Note! All units are in [mm] unless others are stated.