


Qty.	Description
1	<p data-bbox="199 338 531 367"><b>TPE2 50-200-N A-F-A-BQQE</b></p>  <p data-bbox="199 660 469 689">Product No.: <a href="#">98438354</a></p> <p data-bbox="199 719 1445 797">Single-stage, close-coupled, volute pump with in-line suction and discharge ports of identical diameter. The pump is of the top-pull-out design, i.e. the power head (motor, pump head and impeller) can be removed for maintenance or service while the pump housing remains in the pipework.</p> <p data-bbox="199 804 1414 857">The shaft seal is according to EN 12756. Pipework connection is via PN 6/10 DIN flanges (EN 1092-2 and ISO 7005-2).</p> <p data-bbox="199 864 1441 916">The pump is fitted with a fan-cooled, permanent-magnet synchronous motor. The motor efficiency is classified as IE5 in accordance with IEC 60034-30-2.</p> <p data-bbox="199 922 1430 976">The motor includes a frequency converter and PI controller in the motor terminal box. This enables continuously variable control of the motor speed, which again enables adaptation of the performance to a given requirement.</p> <p data-bbox="199 1039 316 1068"><b>Controls:</b></p> <p data-bbox="199 1068 643 1097">Frequency converter: Built-in</p> <p data-bbox="199 1128 288 1158"><b>Liquid:</b></p> <p data-bbox="199 1158 635 1187">Pumped liquid: Water</p> <p data-bbox="199 1187 707 1216">Liquid temperature range: -25 .. 120 °C</p> <p data-bbox="199 1216 687 1245">Liquid temperature during operation: 20 °C</p> <p data-bbox="199 1245 699 1274">Density: 998.2 kg/m<sup>3</sup></p> <p data-bbox="199 1305 328 1335"><b>Technical:</b></p> <p data-bbox="199 1335 823 1364">Pump speed on which pump data are based: 4800 rpm</p> <p data-bbox="199 1364 671 1393">Rated flow: 29.2 m<sup>3</sup>/h</p> <p data-bbox="199 1393 624 1422">Rated head: 15 m</p> <p data-bbox="199 1422 643 1451">Actual impeller diameter: 74 mm</p> <p data-bbox="199 1451 639 1480">Primary shaft seal: BQQE</p> <p data-bbox="199 1480 764 1509">Curve tolerance: ISO9906:2012 3B</p> <p data-bbox="199 1541 320 1570"><b>Materials:</b></p> <p data-bbox="199 1570 746 1659">Pump housing: Cast iron EN-JL1040 ASTM A48-40 B</p> <p data-bbox="199 1659 879 1688">Impeller: Composite PES/PP 30% GF</p> <p data-bbox="199 1720 344 1749"><b>Installation:</b></p> <p data-bbox="199 1749 692 1778">Range of ambient temperature: -20 .. 50 °C</p> <p data-bbox="199 1778 639 1807">Maximum operating pressure: 10 bar</p> <p data-bbox="199 1807 611 1836">Flange standard: DIN</p> <p data-bbox="199 1836 639 1865">Pipe connection: DN 50</p> <p data-bbox="199 1865 659 1895">Pressure rating: PN 6/10</p> <p data-bbox="199 1895 659 1924">Port-to-port length: 280 mm</p> <p data-bbox="199 1924 611 1953">Flange size for motor: 56C</p> <p data-bbox="199 1984 379 2013"><b>Electrical data:</b></p> <p data-bbox="199 2013 628 2042">Motor type: 90SB</p> <p data-bbox="199 2042 604 2072">IE Efficiency class: IE5</p> <p data-bbox="199 2072 643 2101">Rated power - P2: 1.5 kW</p>

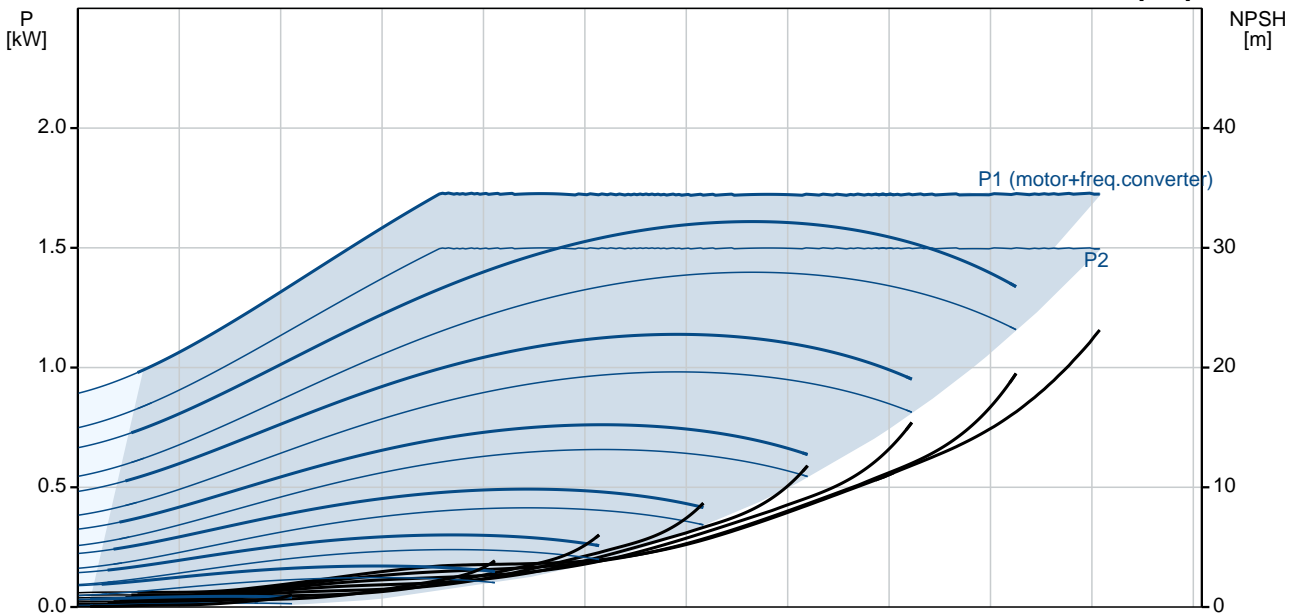
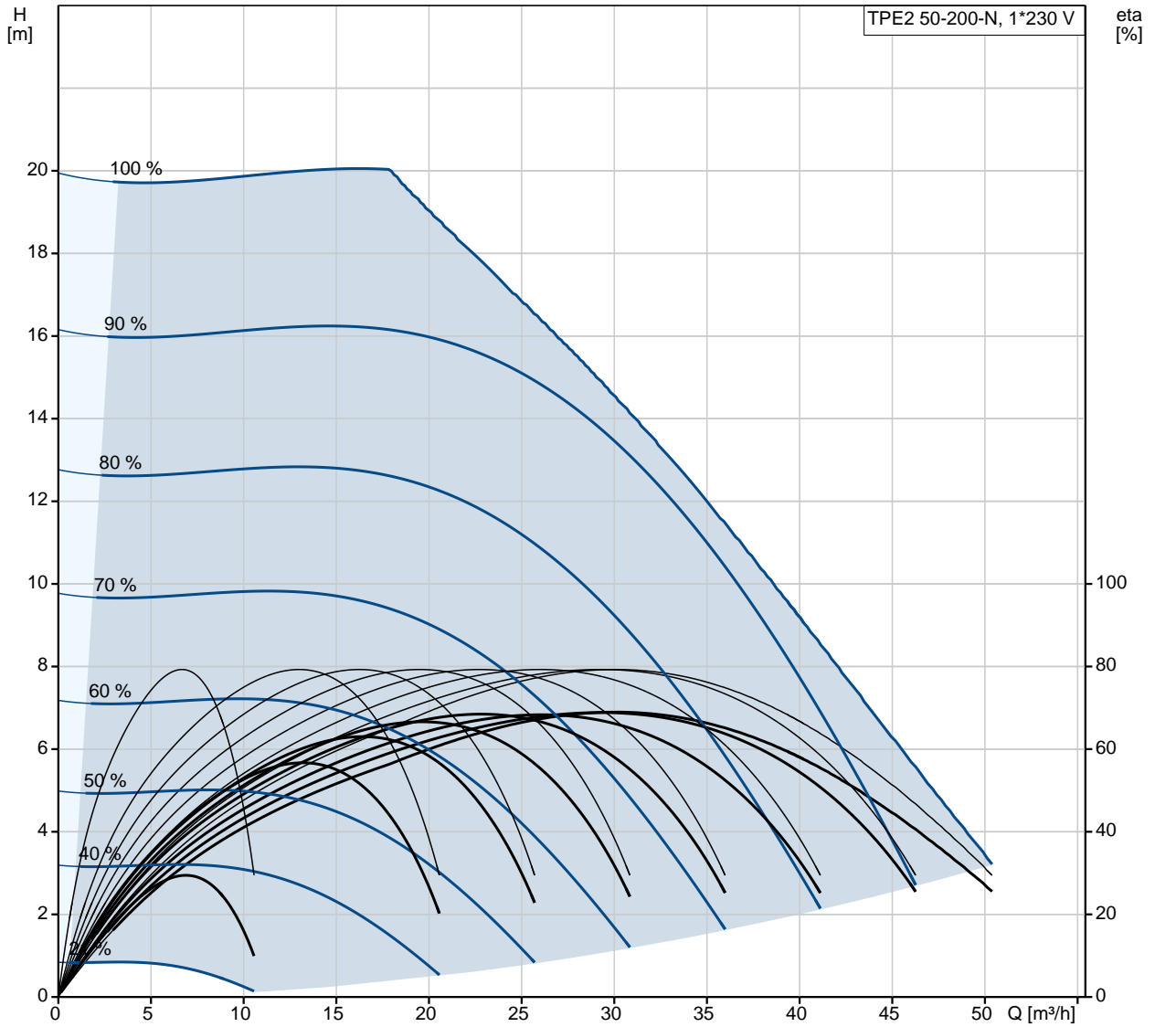
Qty.	Description
------	-------------

Mains frequency:	50 Hz
Rated voltage:	1 x 200-240 V
Rated current:	9.20-7.60 A
Cos phi - power factor:	0.99
Rated speed:	480-5900 rpm
Efficiency:	87.5%
Motor efficiency at full load:	87.5 %
Enclosure class (IEC 34-5):	IP55
Insulation class (IEC 85):	F

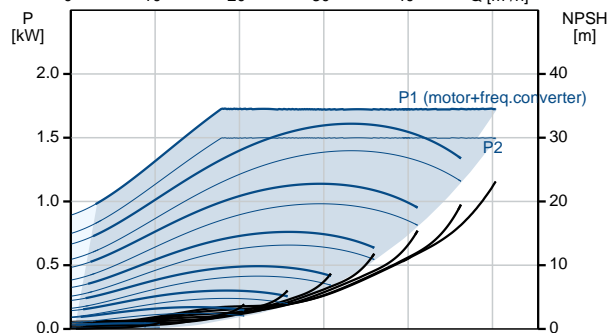
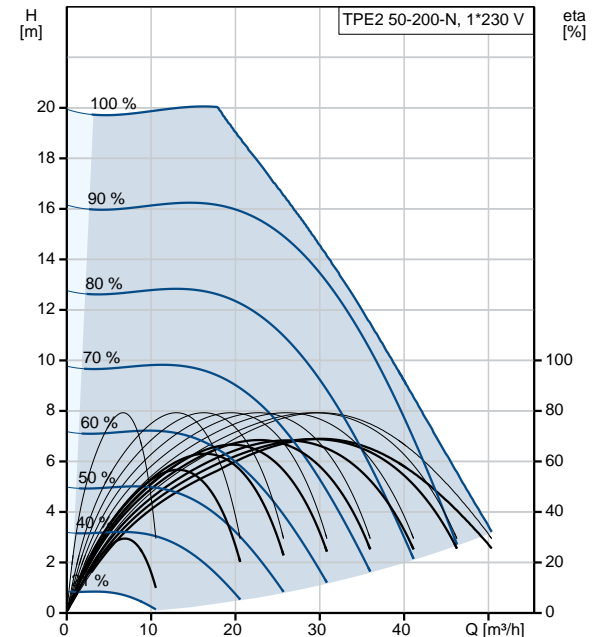
**Others:**

Minimum efficiency index, MEI =:	0.7
ErP status:	EuP Standalone/Prod.
Net weight:	26.5 kg
Gross weight:	33.7 kg
Shipping volume:	0.1 m <sup>3</sup>
Norwegian NRF no.:	9043489
Country of origin:	HU
Custom tariff no.:	84137051

## 98438354 TPE2 50-200-N A-F-A-BQQE 50 Hz



Description	Value
<b>General information:</b>	
Product name:	TPE2 50-200-N A-F-A-BQQE
Product No:	98438354
EAN number:	5711495017224
<b>Technical:</b>	
Pump speed on which pump data are based:	4800 rpm
Rated flow:	29.2 m <sup>3</sup> /h
Rated head:	15 m
Head max:	200 dm
Actual impeller diameter:	74 mm
Primary shaft seal:	BQQE
Curve tolerance:	ISO9906:2012 3B
Pump version:	A
Model:	A
<b>Materials:</b>	
Pump housing:	Cast iron
	EN-JL1040
	ASTM A48-40 B
Impeller:	Composite PES/PP 30% GF
Material code:	A
<b>Installation:</b>	
Range of ambient temperature:	-20 .. 50 °C
Maximum operating pressure:	10 bar
Flange standard:	DIN
Pipe connection:	DN 50
Pressure rating:	PN 6/10
Port-to-port length:	280 mm
Flange size for motor:	56C
Connect code:	F
<b>Liquid:</b>	
Pumped liquid:	Water
Liquid temperature range:	-25 .. 120 °C
Liquid temperature during operation:	20 °C
Density:	998.2 kg/m <sup>3</sup>
<b>Electrical data:</b>	
Motor type:	90SB
IE Efficiency class:	IE5
Rated power - P2:	1.5 kW
Mains frequency:	50 Hz
Rated voltage:	1 x 200-240 V
Rated current:	9.20-7.60 A
Cos phi - power factor:	0.99
Rated speed:	480-5900 rpm
Efficiency:	87.5%
Motor efficiency at full load:	87.5 %
Enclosure class (IEC 34-5):	IP55
Insulation class (IEC 85):	F
Motor protec:	YES
Motor No:	99138031
<b>Controls:</b>	
Control panel:	HMI200 - Standard
Function Module:	FM300 - Advanced
Frequency converter:	Built-in
<b>Others:</b>	
Minimum efficiency index, MEI =:	0.7
ErP status:	EuP Standalone/Prod.
Net weight:	26.5 kg





**Company name:**

**Created by:**

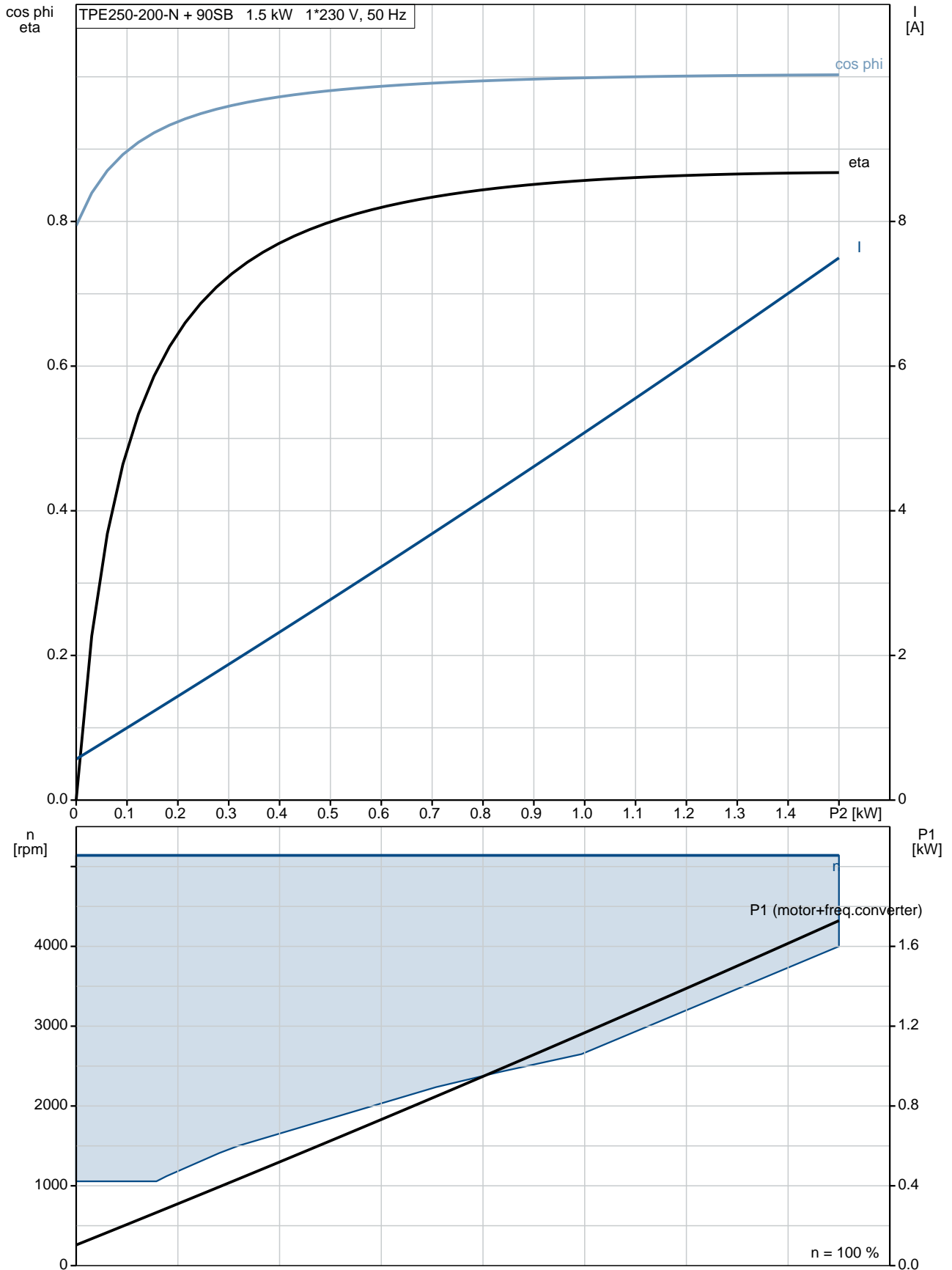
**Phone:**

**Date:**

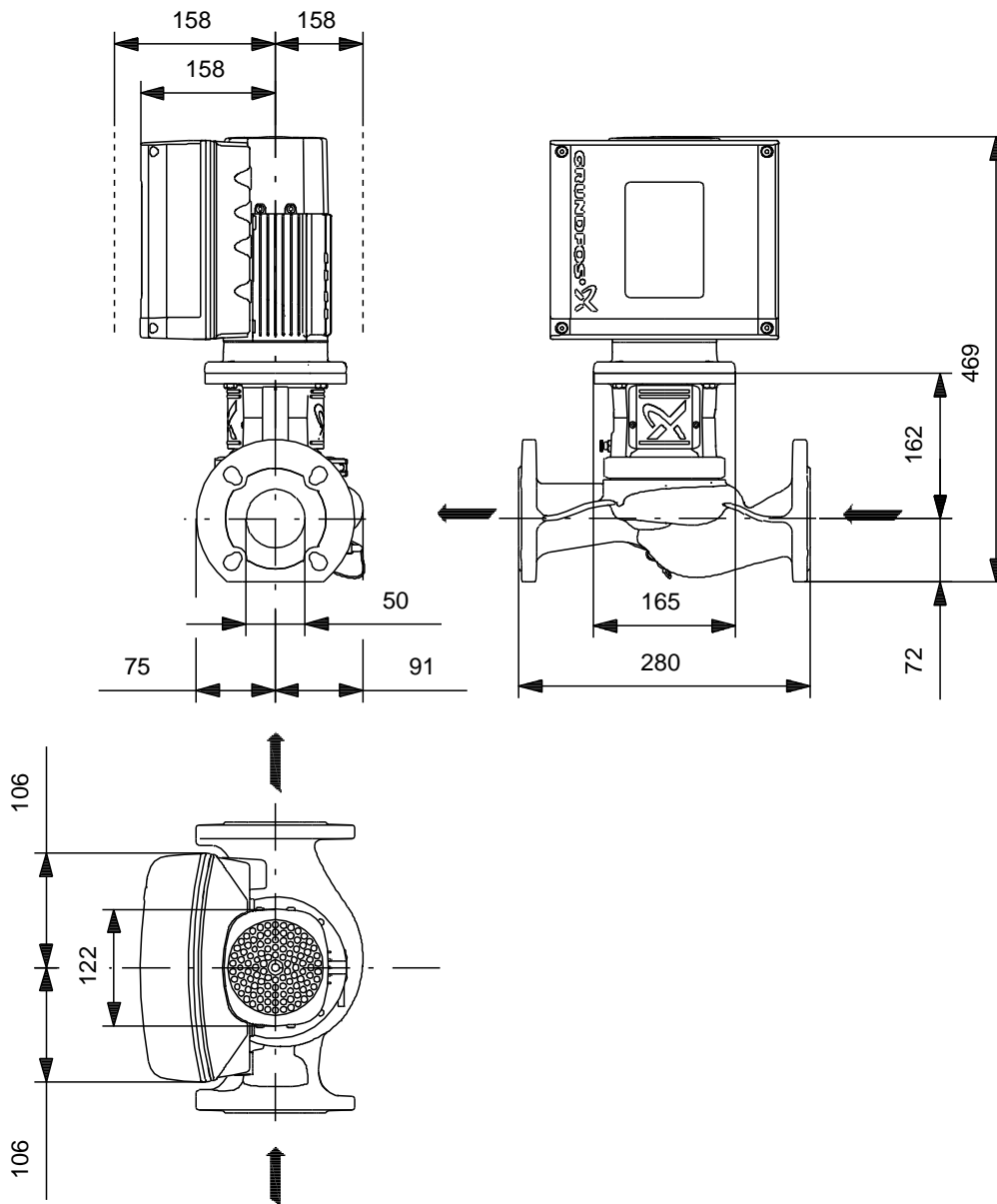
21/12/2018

Description	Value
Gross weight:	33.7 kg
Shipping volume:	0.1 m <sup>3</sup>
Config. file no:	98819178
Norwegian NRF no.:	9043489
Country of origin:	HU
Custom tariff no.:	84137051

## 98438354 TPE2 50-200-N A-F-A-BQQE 50 Hz

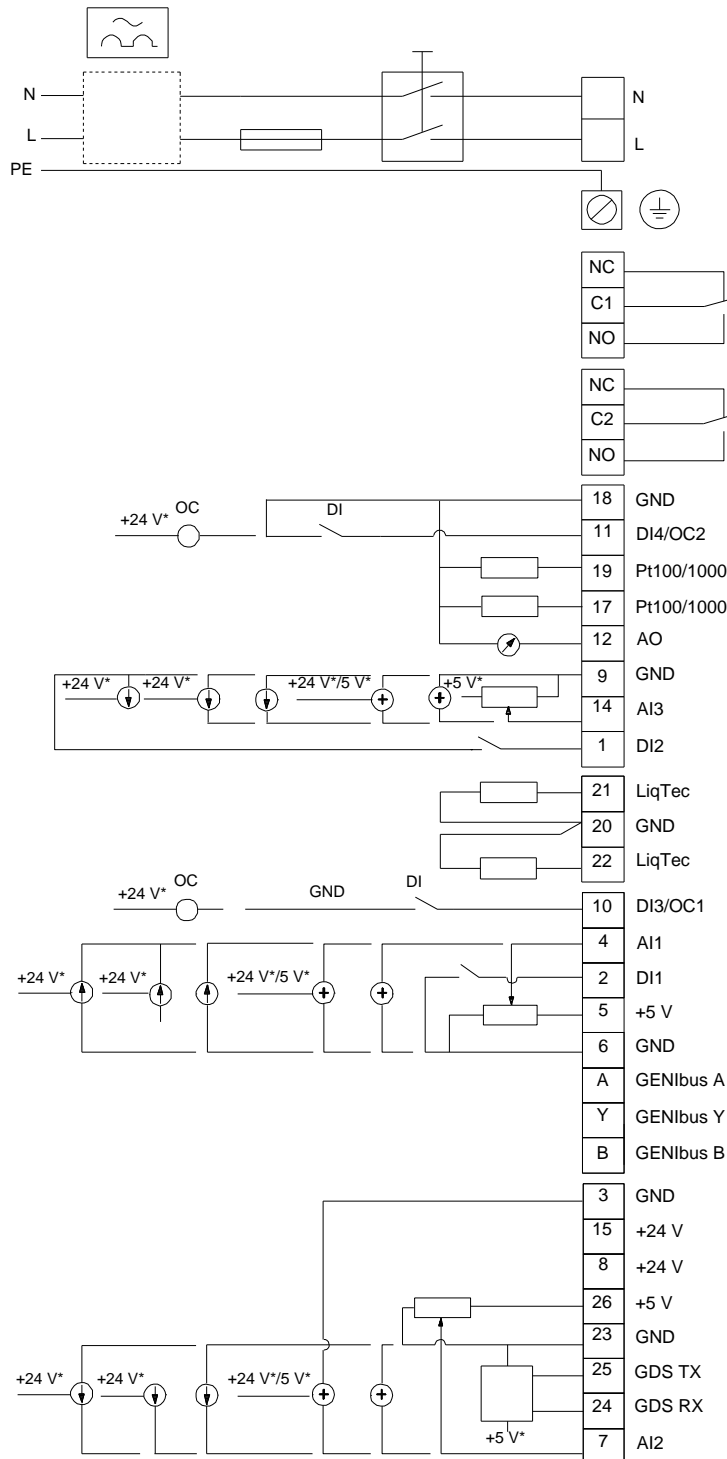


## 98438354 TPE2 50-200-N A-F-A-BQQE 50 Hz



Note! All units are in [mm] unless others are stated.  
Disclaimer: This simplified dimensional drawing does not show all details.

## 98438354 TPE2 50-200-N A-F-A-BQQE 50 Hz



Note! All units are in [mm] unless others are stated.