


| Qty. | Description |
|------|--|
| 1 | <p data-bbox="199 336 534 369">TPE2 40-200-N A-F-A-BQQE</p>  <p data-bbox="199 660 470 694">Product No.: 98438347</p> <p data-bbox="199 716 1444 795">Single-stage, close-coupled, volute pump with in-line suction and discharge ports of identical diameter. The pump is of the top-pull-out design, i.e. the power head (motor, pump head and impeller) can be removed for maintenance or service while the pump housing remains in the pipework.</p> <p data-bbox="199 806 1412 862">The shaft seal is according to EN 12756. Pipework connection is via PN 6/10 DIN flanges (EN 1092-2 and ISO 7005-2).</p> <p data-bbox="199 862 1444 918">The pump is fitted with a fan-cooled, permanent-magnet synchronous motor. The motor efficiency is classified as IE5 in accordance with IEC 60034-30-2.</p> <p data-bbox="199 918 1428 974">The motor includes a frequency converter and PI controller in the motor terminal box. This enables continuously variable control of the motor speed, which again enables adaptation of the performance to a given requirement.</p> <p data-bbox="199 1041 319 1064">Controls:</p> <p data-bbox="199 1064 646 1097">Frequency converter: Built-in</p> <p data-bbox="199 1131 295 1153">Liquid:</p> <p data-bbox="199 1153 638 1187">Pumped liquid: Water</p> <p data-bbox="199 1187 710 1220">Liquid temperature range: -25 .. 120 °C</p> <p data-bbox="199 1220 694 1254">Liquid temperature during operation: 20 °C</p> <p data-bbox="199 1254 702 1288">Density: 998.2 kg/m³</p> <p data-bbox="199 1310 327 1332">Technical:</p> <p data-bbox="199 1332 821 1366">Pump speed on which pump data are based: 5000 rpm</p> <p data-bbox="199 1366 678 1400">Rated flow: 20.5 m³/h</p> <p data-bbox="199 1400 646 1433">Rated head: 14.9 m</p> <p data-bbox="199 1433 646 1467">Actual impeller diameter: 74 mm</p> <p data-bbox="199 1467 646 1500">Primary shaft seal: BQQE</p> <p data-bbox="199 1500 766 1534">Curve tolerance: ISO9906:2012 3B</p> <p data-bbox="199 1545 327 1568">Materials:</p> <p data-bbox="199 1568 750 1668">Pump housing: Cast iron EN-JL1040 ASTM A48-40 B</p> <p data-bbox="199 1668 877 1702">Impeller: Composite PES/PP 30% GF</p> <p data-bbox="199 1724 343 1747">Installation:</p> <p data-bbox="199 1747 694 1780">Range of ambient temperature: -20 .. 50 °C</p> <p data-bbox="199 1780 646 1814">Maximum operating pressure: 10 bar</p> <p data-bbox="199 1814 614 1848">Flange standard: DIN</p> <p data-bbox="199 1848 646 1881">Pipe connection: DN 40</p> <p data-bbox="199 1881 662 1915">Pressure rating: PN 6/10</p> <p data-bbox="199 1915 662 1948">Port-to-port length: 250 mm</p> <p data-bbox="199 1948 614 1982">Flange size for motor: 56C</p> <p data-bbox="199 1993 383 2016">Electrical data:</p> <p data-bbox="199 2016 614 2049">Motor type: 80A</p> <p data-bbox="199 2049 614 2083">IE Efficiency class: IE5</p> <p data-bbox="199 2083 646 2116">Rated power - P2: 1.1 kW</p> |



Company name:

Created by:

Phone:

Date: 21/12/2018

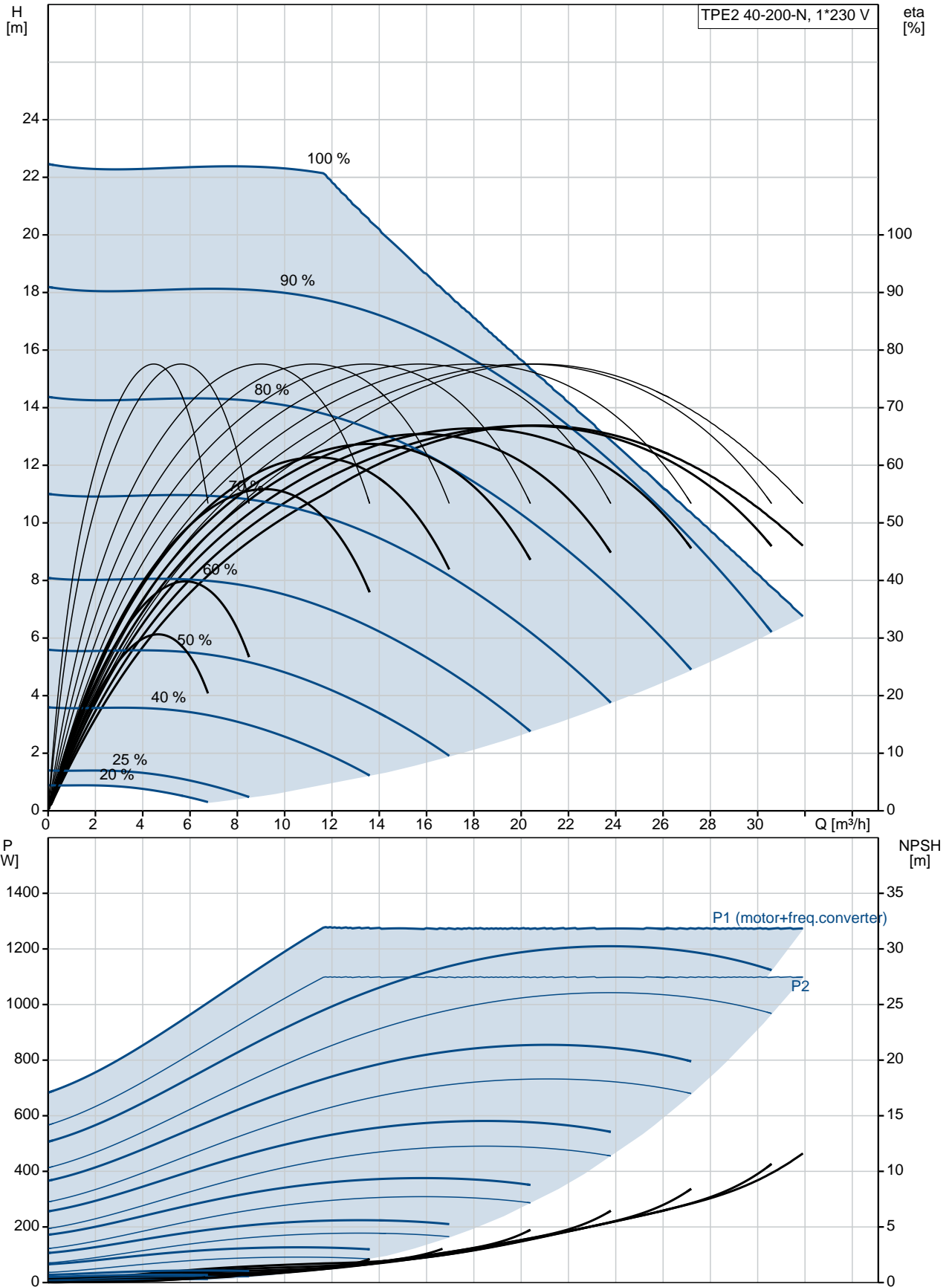
Qty. Description

Mains frequency: 50 Hz
Rated voltage: 1 x 200-240 V
Rated current: 6.80-5.70 A
Cos phi - power factor: 0.99
Rated speed: 480-5900 rpm
Efficiency: 85.7%
Motor efficiency at full load: 85.7 %
Enclosure class (IEC 34-5): IP55
Insulation class (IEC 85): F

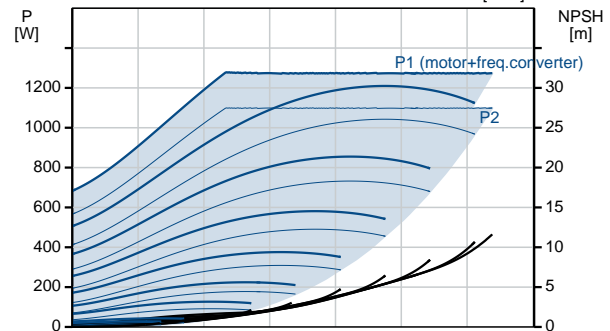
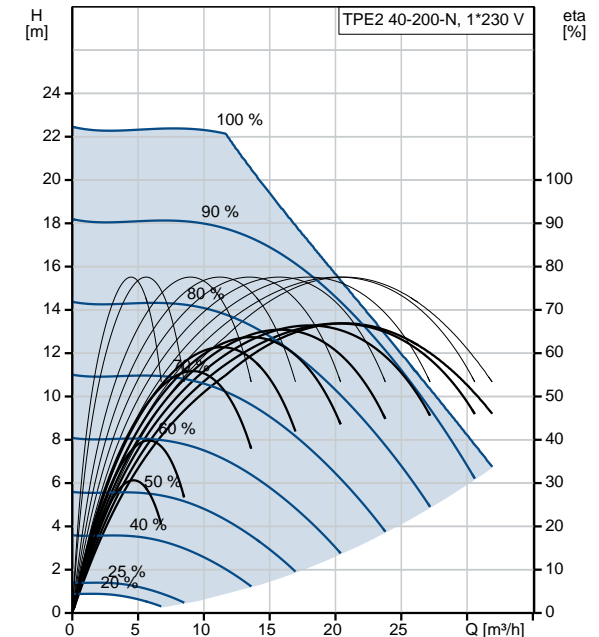
Others:

Minimum efficiency index, MEI =: 0.7
ErP status: EuP Standalone/Prod.
Net weight: 22.7 kg
Gross weight: 29.8 kg
Shipping volume: 0.1 m³
Danish VVS No.: 382201200
Norwegian NRF no.: 9043482
Country of origin: HU
Custom tariff no.: 84137051

98438347 TPE2 40-200-N A-F-A-BQQE 50 Hz



| Description | Value |
|--|--------------------------|
| General information: | |
| Product name: | TPE2 40-200-N A-F-A-BQQE |
| Product No: | 98438347 |
| EAN number: | 5711495017156 |
| Technical: | |
| Pump speed on which pump data are based: | 5000 rpm |
| Rated flow: | 20.5 m ³ /h |
| Rated head: | 14.9 m |
| Head max: | 200 dm |
| Actual impeller diameter: | 74 mm |
| Primary shaft seal: | BQQE |
| Curve tolerance: | ISO9906:2012 3B |
| Pump version: | A |
| Model: | A |
| Materials: | |
| Pump housing: | Cast iron |
| | EN-JL1040 |
| | ASTM A48-40 B |
| Impeller: | Composite PES/PP 30% GF |
| Material code: | A |
| Installation: | |
| Range of ambient temperature: | -20 .. 50 °C |
| Maximum operating pressure: | 10 bar |
| Flange standard: | DIN |
| Pipe connection: | DN 40 |
| Pressure rating: | PN 6/10 |
| Port-to-port length: | 250 mm |
| Flange size for motor: | 56C |
| Connect code: | F |
| Liquid: | |
| Pumped liquid: | Water |
| Liquid temperature range: | -25 .. 120 °C |
| Liquid temperature during operation: | 20 °C |
| Density: | 998.2 kg/m ³ |
| Electrical data: | |
| Motor type: | 80A |
| IE Efficiency class: | IE5 |
| Rated power - P2: | 1.1 kW |
| Mains frequency: | 50 Hz |
| Rated voltage: | 1 x 200-240 V |
| Rated current: | 6.80-5.70 A |
| Cos phi - power factor: | 0.99 |
| Rated speed: | 480-5900 rpm |
| Efficiency: | 85.7% |
| Motor efficiency at full load: | 85.7 % |
| Enclosure class (IEC 34-5): | IP55 |
| Insulation class (IEC 85): | F |
| Motor protec: | YES |
| Motor No: | 99138030 |
| Controls: | |
| Control panel: | HMI200 - Standard |
| Function Module: | FM300 - Advanced |
| Frequency converter: | Built-in |
| Others: | |
| Minimum efficiency index, MEI =: | 0.7 |
| ErP status: | EuP Standalone/Prod. |
| Net weight: | 22.7 kg |





Company name:

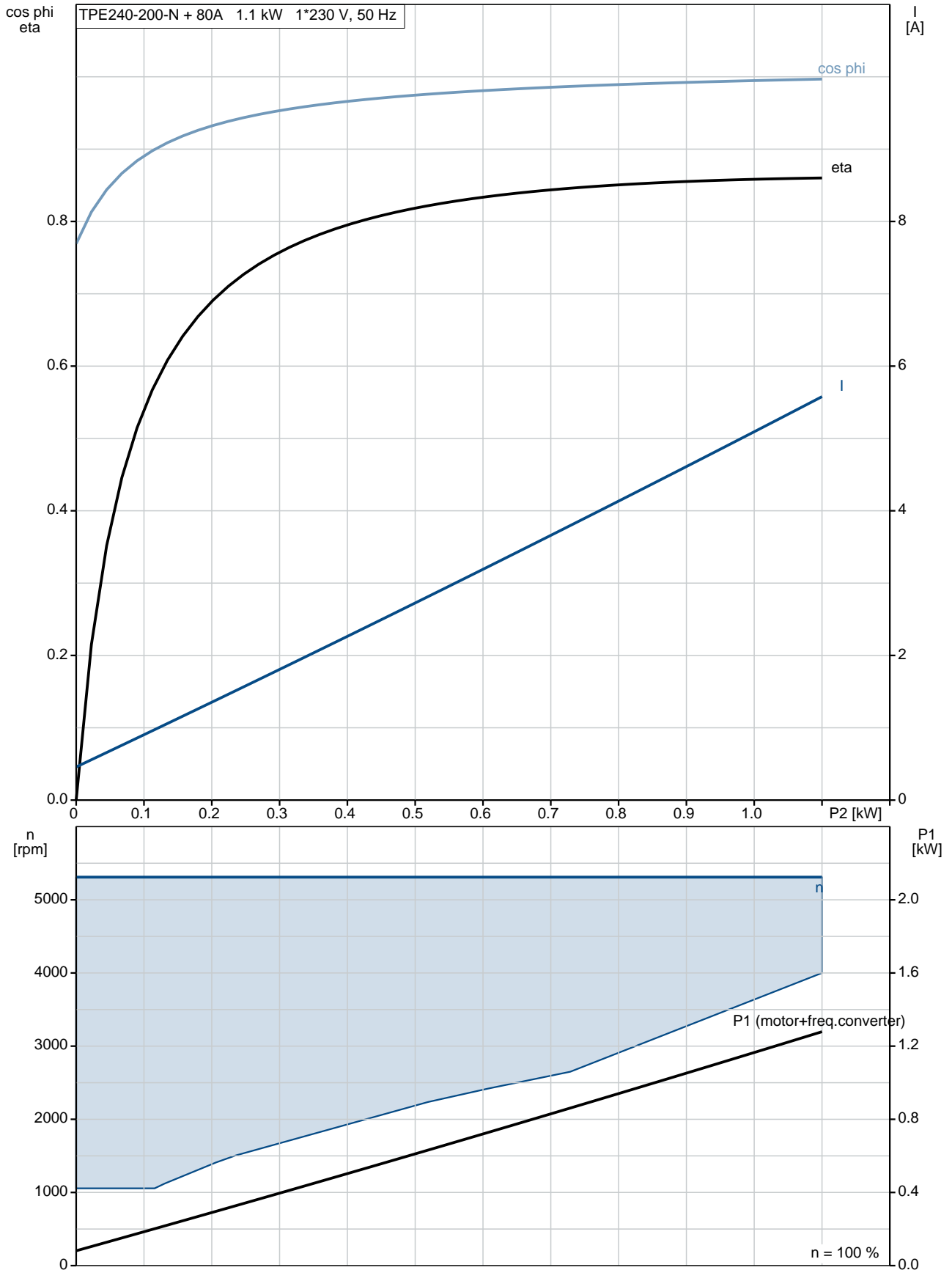
Created by:

Phone:

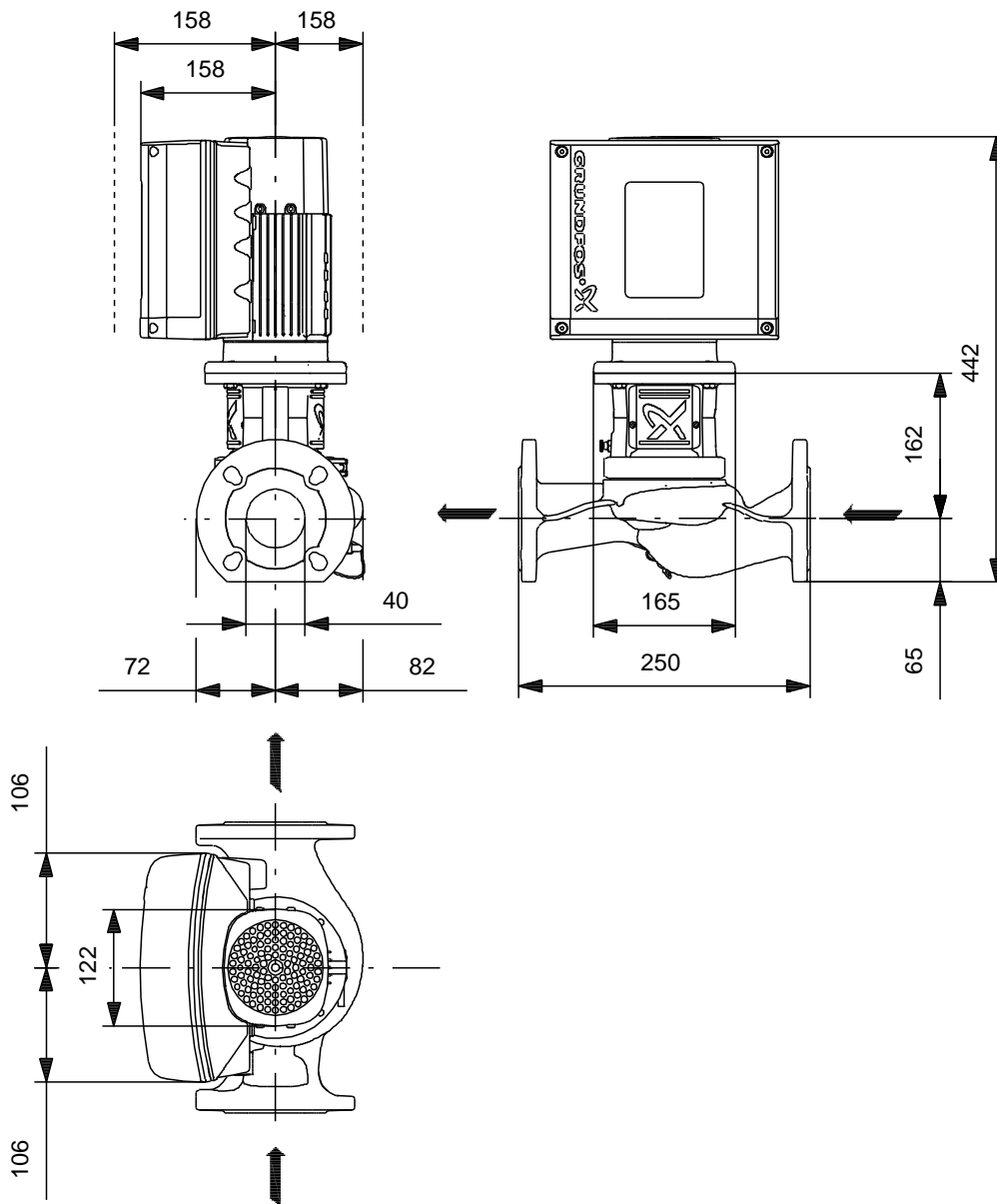
Date: 21/12/2018

| Description | Value |
|--------------------|--------------------|
| Gross weight: | 29.8 kg |
| Shipping volume: | 0.1 m ³ |
| Config. file no: | 98819172 |
| Danish VVS No.: | 382201200 |
| Norwegian NRF no.: | 9043482 |
| Country of origin: | HU |
| Custom tariff no.: | 84137051 |

98438347 TPE2 40-200-N A-F-A-BQQE 50 Hz

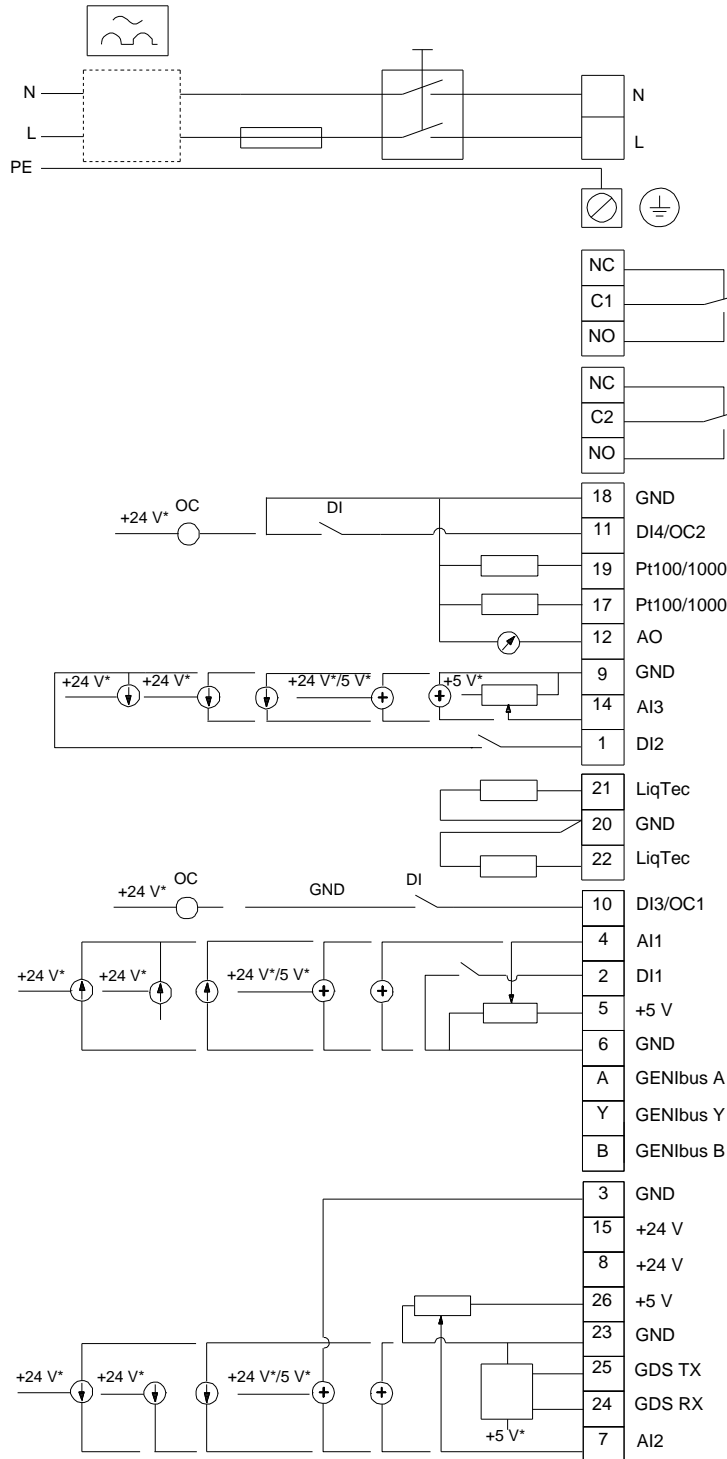


98438347 TPE2 40-200-N A-F-A-BQQE 50 Hz



Note! All units are in [mm] unless others are stated.
Disclaimer: This simplified dimensional drawing does not show all details.

98438347 TPE2 40-200-N A-F-A-BQQE 50 Hz



Note! All units are in [mm] unless others are stated.