

Qty. Description

1 TPE2 D 40-150-N A-F-A-BQQE



Note! Product picture may differ from actual product

Product No.: [98438132](#)

Single-stage, close-coupled, volute twin-head pump with in-line suction and discharge ports of identical diameter. The twin-head pump is designed with two parallel power-heads. The pump is of the top-pull-out design, i.e. the power head (motor, pump head and impeller) can be removed for maintenance or service while the pump housing remains in the pipework.

Each power head is fitted with an unbalanced rubber bellows seal. The shaft seal is according to EN 12756. Pipework connection is via PN 6/10 DIN flanges (EN 1092-2 and ISO 7005-2).

Pipework connection is via PN 6/10 DIN flanges (EN 1092-2 and ISO 7005-2).

Each power head is fitted with a fan-cooled, permanent-magnet synchronous motor of identical size. The motor efficiency is classified as IE5 in accordance with IEC 60034-30-2.

The motor includes a frequency converter and PI controller in the motor terminal box. This enables continuously variable control of the motor speed, which again enables adaptation of the performance to a given requirement.

Controls:

Frequency converter: Built-in

Liquid:

Pumped liquid: Water
 Liquid temperature range: -25 .. 120 °C
 Selected liquid temperature: 20 °C
 Density at selected liquid temperature: 998.2 kg/m³

Technical:

Pump speed on which pump data are based: 3900 rpm
 Rated flow: 14.4 m³/h
 Rated head: 10 m
 Actual impeller diameter: 74 mm
 Primary shaft seal: BQQE
 Curve tolerance: ISO9906:2012 3B2

Materials:

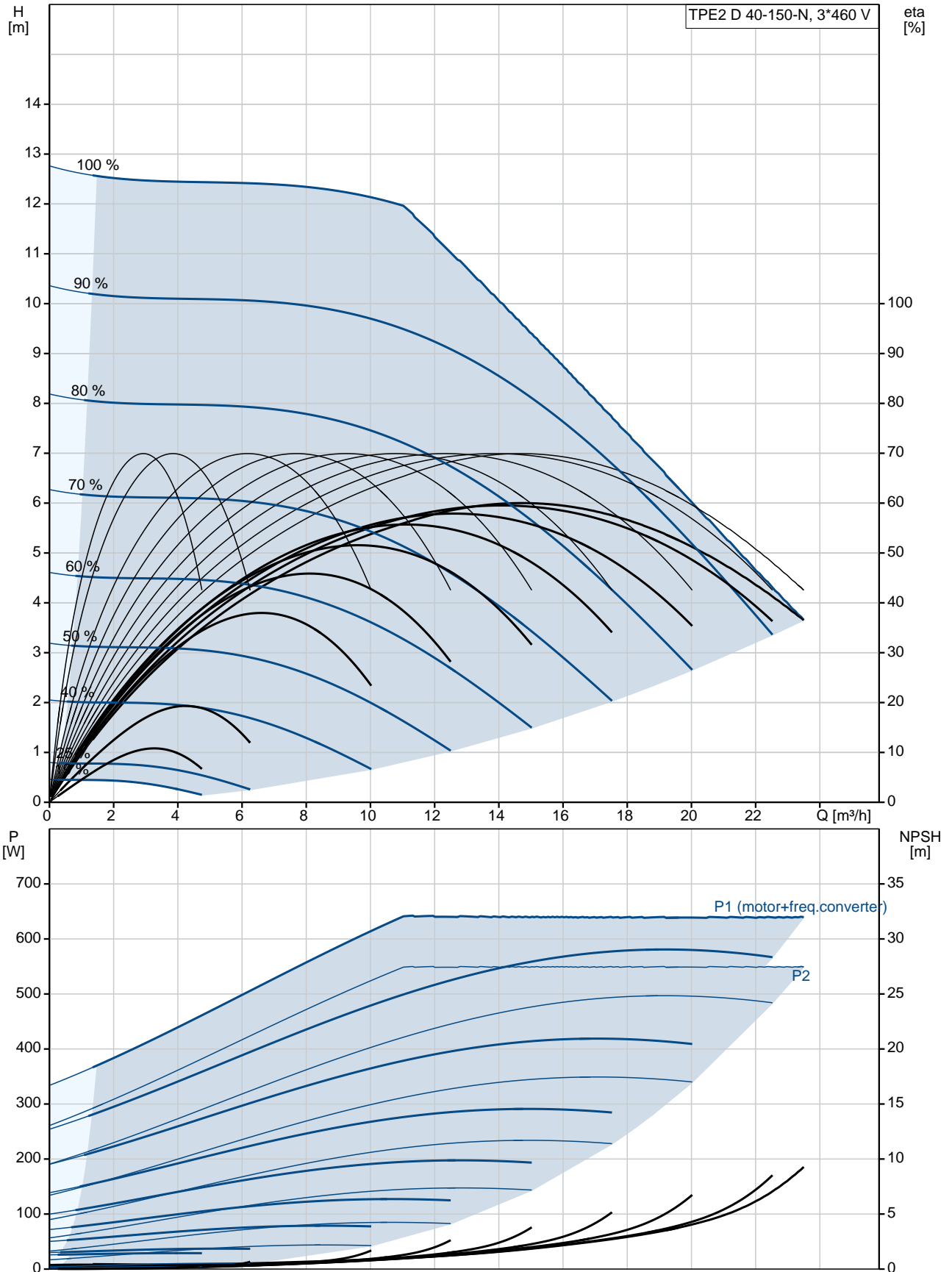
Pump housing: Cast iron
 EN-JL1040
 ASTM A48-40 B
 Impeller: Composite PES/PP 30% GF

Installation:

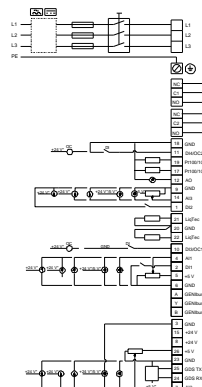
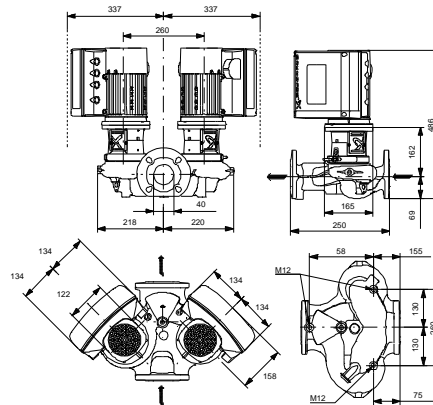
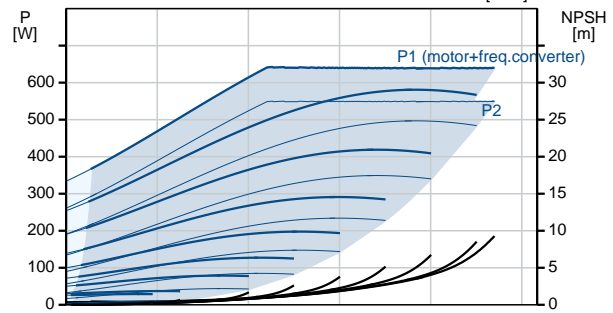
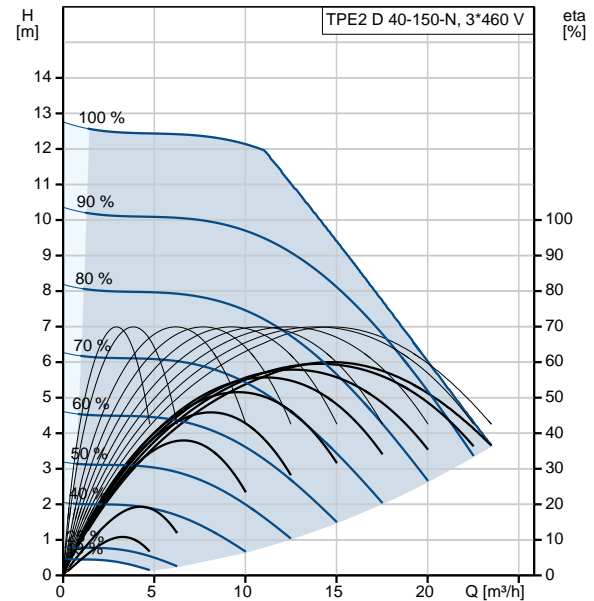
Range of ambient temperature: -20 .. 50 °C
 Maximum operating pressure: 10 bar
 Flange standard: DIN
 Pipe connection: DN 40

| Qty. | Description |
|------|---|
| | <p>Pressure rating: PN 6/10 Port-to-port length: 311 mm Flange size for motor: 56C</p> <p>Electrical data: Motor type: 71A IE Efficiency class: IE5 Rated power - P2: 2 x 0.55 kW Mains frequency: 50 / 60 Hz Rated voltage: 3 x 380-500 V Rated current: 1.35-1.30 A Cos phi - power factor: 0.77-0.61 Rated speed: 360-4000 rpm Efficiency: 85.9% Motor efficiency at full load: 85.9 % Enclosure class (IEC 34-5): IP55 Insulation class (IEC 85): F Motor No: 99138016</p> <p>Others: Minimum efficiency index, MEI : 0.7 ErP status: EuP Standalone/Prod. Net weight: 48.4 kg Gross weight: 61.7 kg Shipping volume: 0.246 m³ Country of origin: HU Custom tariff no.: 84137065</p> |

98438132 TPE2 D 40-150-N A-F-A-BQQE



| Description | Value |
|--|-------------------------------|
| General information: | |
| Product name: | TPE2 D 40-150-N A-F-A-BQQE |
| Product No: | 98438132 |
| EAN number: | 5711495014810 |
| Price: | 5711495014810 |
| | 4.660,00 GBP |
| Technical: | |
| Pump speed on which pump data are based: | 3900 rpm |
| Rated flow: | 14.4 m³/h |
| Rated head: | 10 m |
| Head max: | 150 dm |
| Actual impeller diameter: | 74 mm |
| Primary shaft seal: | BQQE |
| Curve tolerance: | ISO9906:2012 3B2 |
| Pump version: | A |
| Model: | A |
| Materials: | |
| Pump housing: | Cast iron |
| | EN-JL1040 |
| | ASTM A48-40 B |
| Impeller: | Composite PES/PP 30% GF |
| Material code: | A |
| Installation: | |
| Range of ambient temperature: | -20 .. 50 °C |
| Maximum operating pressure: | 10 bar |
| Flange standard: | DIN |
| Pipe connection: | DN 40 |
| Pressure rating: | PN 6/10 |
| Port-to-port length: | 311 mm |
| Flange size for motor: | 56C |
| Connect code: | F |
| Liquid: | |
| Pumped liquid: | Water |
| Liquid temperature range: | -25 .. 120 °C |
| Selected liquid temperature: | 20 °C |
| Density at selected liquid temperature: | 998.2 kg/m³ |
| Electrical data: | |
| Motor type: | 71A |
| IE Efficiency class: | IE5 |
| Rated power - P2: | 2 x 0.55 kW |
| Mains frequency: | 50 / 60 Hz |
| Rated voltage: | 3 x 380-500 V |
| Rated current: | 1.35-1.30 A |
| Cos phi - power factor: | 0.77-0.61 |
| Rated speed: | 360-4000 rpm |
| Efficiency: | 85.9% |
| Motor efficiency at full load: | 85.9% |
| Enclosure class (IEC 34-5): | IP55 |
| Insulation class (IEC 85): | F |
| Motor protec: | YES |
| Motor No: | 99138016 |
| Controls: | |
| Control panel: | HMI200 - Standard |
| Function Module: | FM300 - Advanced |
| Frequency converter: | Built-in |
| Others: | |





Company name:

Created by:

Phone:

Date:

20/12/2019

| Description | Value |
|---------------------------------|----------------------|
| Minimum efficiency index, MEI : | 0.7 |
| ErP status: | EuP Standalone/Prod. |
| Net weight: | 48.4 kg |
| Gross weight: | 61.7 kg |
| Shipping volume: | 0.246 m ³ |
| Config. file no: | 98819253 |
| Country of origin: | HU |
| Custom tariff no.: | 84137065 |

98438132 TPE2 D 40-150-N A-F-A-BQQE

