


Qty.	Description
1	<p data-bbox="199 340 534 362">TPE2 80-120-N A-F-A-BQQE</p> <div data-bbox="316 405 459 622" style="text-align: center;">  </div> <p data-bbox="199 663 470 685">Product No.: 98437603</p> <p data-bbox="199 721 1444 797">Single-stage, close-coupled, volute pump with in-line suction and discharge ports of identical diameter. The pump is of the top-pull-out design, i.e. the power head (motor, pump head and impeller) can be removed for maintenance or service while the pump housing remains in the pipework.</p> <p data-bbox="199 806 1396 860">The shaft seal is according to EN 12756. Pipework connection is via PN 10 DIN flanges (EN 1092-2 and ISO 7005-2).</p> <p data-bbox="199 869 1444 922">The pump is fitted with a fan-cooled, permanent-magnet synchronous motor. The motor efficiency is classified as IE5 in accordance with IEC 60034-30-2.</p> <p data-bbox="199 931 1428 981">The motor includes a frequency converter and PI controller in the motor terminal box. This enables continuously variable control of the motor speed, which again enables adaptation of the performance to a given requirement.</p> <p data-bbox="199 1043 311 1066">Controls:</p> <p data-bbox="199 1070 646 1097">Frequency converter: Built-in</p> <p data-bbox="199 1133 295 1155">Liquid:</p> <p data-bbox="199 1160 710 1276">Pumped liquid: Water Liquid temperature range: -25 .. 120 °C Liquid temperature during operation: 20 °C Density: 998.2 kg/m³</p> <p data-bbox="199 1312 327 1335">Technical:</p> <p data-bbox="199 1339 821 1514">Pump speed on which pump data are based: 3000 rpm Rated flow: 41.9 m³/h Rated head: 7.2 m Actual impeller diameter: 90 mm Primary shaft seal: BQQE Curve tolerance: ISO9906:2012 3B</p> <p data-bbox="199 1550 327 1572">Materials:</p> <p data-bbox="199 1576 885 1693">Pump housing: Cast iron EN-JL1040 ASTM A48-40 B Impeller: Composite PES/PP 30% GF</p> <p data-bbox="199 1729 343 1751">Installation:</p> <p data-bbox="199 1756 694 1962">Range of ambient temperature: -20 .. 50 °C Maximum operating pressure: 10 bar Flange standard: DIN Pipe connection: DN 80 Pressure rating: PN 10 Port-to-port length: 360 mm Flange size for motor: 56C</p> <p data-bbox="199 1998 391 2020">Electrical data:</p> <p data-bbox="199 2024 646 2105">Motor type: 80B IE Efficiency class: IE5 Rated power - P2: 1.1 kW</p>

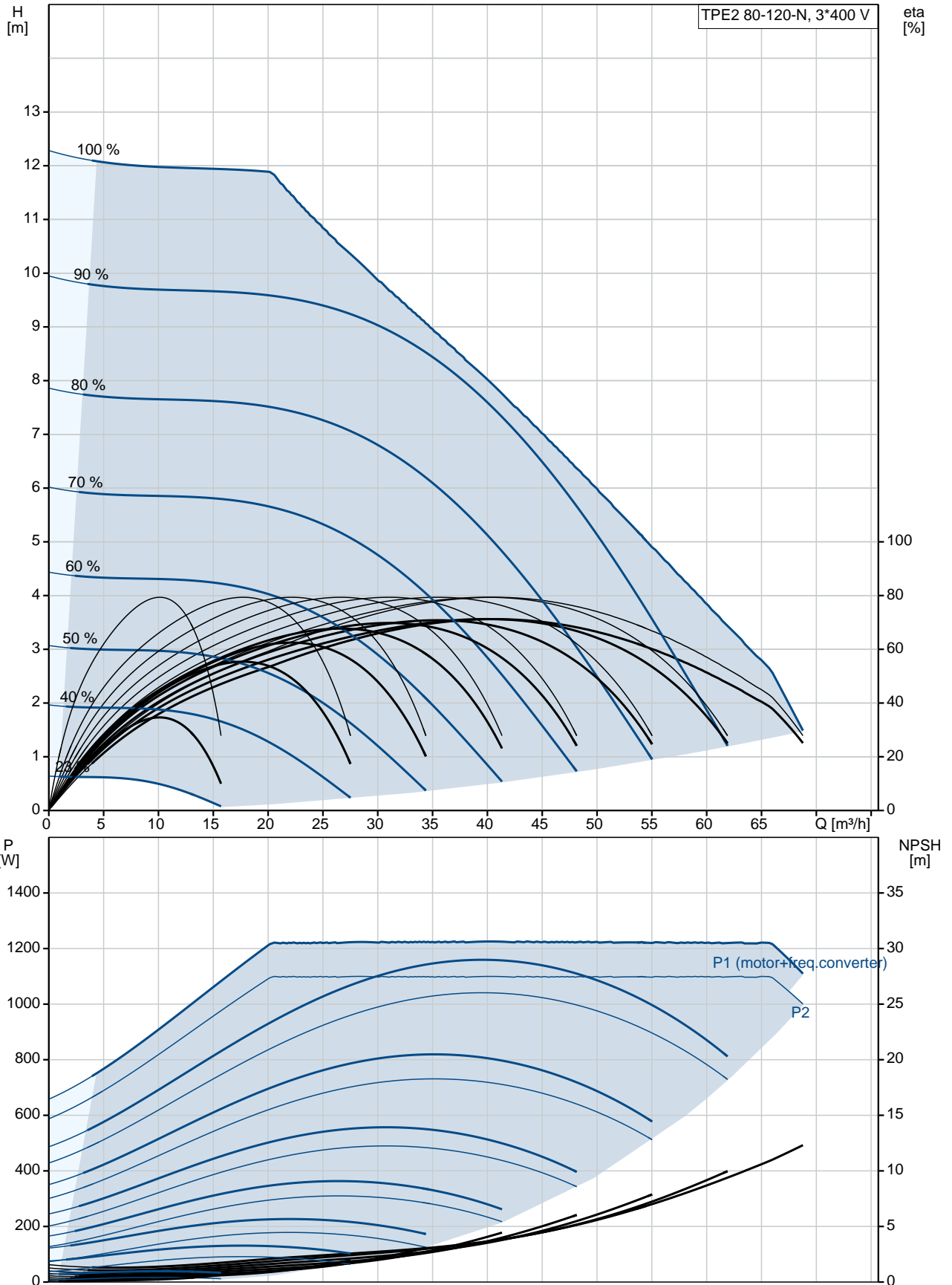
Qty.	Description
------	-------------

Mains frequency:	50 Hz
Rated voltage:	3 x 380-500 V
Rated current:	2.20-1.90 A
Cos phi - power factor:	0.89-0.79
Rated speed:	360-4000 rpm
Efficiency:	89.1%
Motor efficiency at full load:	89.1 %
Enclosure class (IEC 34-5):	IP55
Insulation class (IEC 85):	F

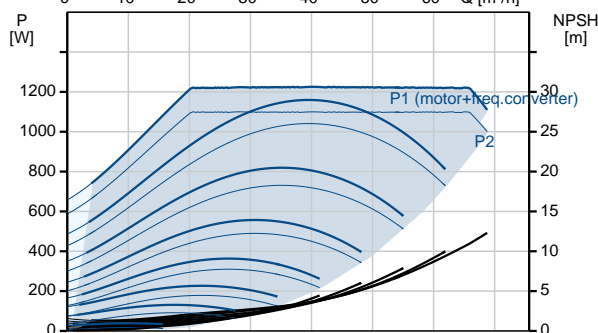
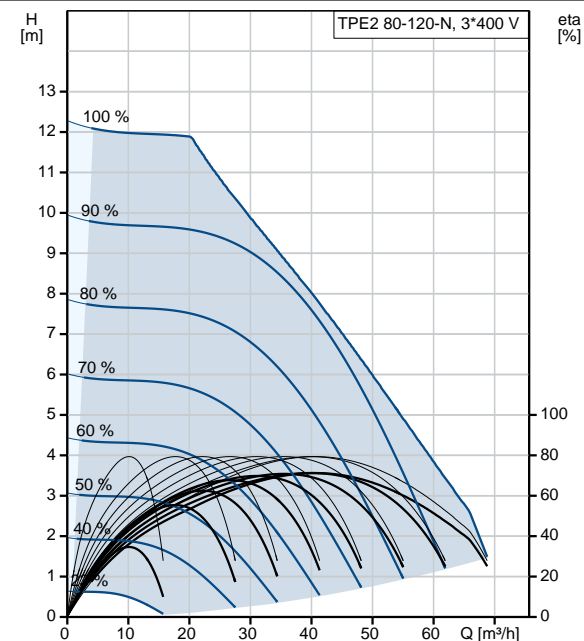
Others:

Minimum efficiency index, MEI =:	0.7
ErP status:	EuP Standalone/Prod.
Net weight:	34.7 kg
Gross weight:	43.4 kg
Shipping volume:	0.16 m ³
Norwegian NRF no.:	9043506
Country of origin:	HU
Custom tariff no.:	84137051

98437603 TPE2 80-120-N A-F-A-BQQE 50 Hz



Description	Value
General information:	
Product name:	TPE2 80-120-N A-F-A-BQQE
Product No:	98437603
EAN number:	5711495007607
Technical:	
Pump speed on which pump data are based:	3000 rpm
Rated flow:	41.9 m ³ /h
Rated head:	7.2 m
Head max:	120 dm
Actual impeller diameter:	90 mm
Primary shaft seal:	BQQE
Curve tolerance:	ISO9906:2012 3B
Pump version:	A
Model:	A
Materials:	
Pump housing:	Cast iron
	EN-JL1040
	ASTM A48-40 B
Impeller:	Composite PES/PP 30% GF
Material code:	A
Installation:	
Range of ambient temperature:	-20 .. 50 °C
Maximum operating pressure:	10 bar
Flange standard:	DIN
Pipe connection:	DN 80
Pressure rating:	PN 10
Port-to-port length:	360 mm
Flange size for motor:	56C
Connect code:	F
Liquid:	
Pumped liquid:	Water
Liquid temperature range:	-25 .. 120 °C
Liquid temperature during operation:	20 °C
Density:	998.2 kg/m ³
Electrical data:	
Motor type:	80B
IE Efficiency class:	IE5
Rated power - P2:	1.1 kW
Mains frequency:	50 Hz
Rated voltage:	3 x 380-500 V
Rated current:	2.20-1.90 A
Cos phi - power factor:	0.89-0.79
Rated speed:	360-4000 rpm
Efficiency:	89.1%
Motor efficiency at full load:	89.1 %
Enclosure class (IEC 34-5):	IP55
Insulation class (IEC 85):	F
Motor protec:	YES
Motor No:	99138019
Controls:	
Control panel:	HMI200 - Standard
Function Module:	FM300 - Advanced
Frequency converter:	Built-in
Others:	
Minimum efficiency index, MEI =:	0.7
ErP status:	EuP Standalone/Prod.
Net weight:	34.7 kg





Company name:

Created by:

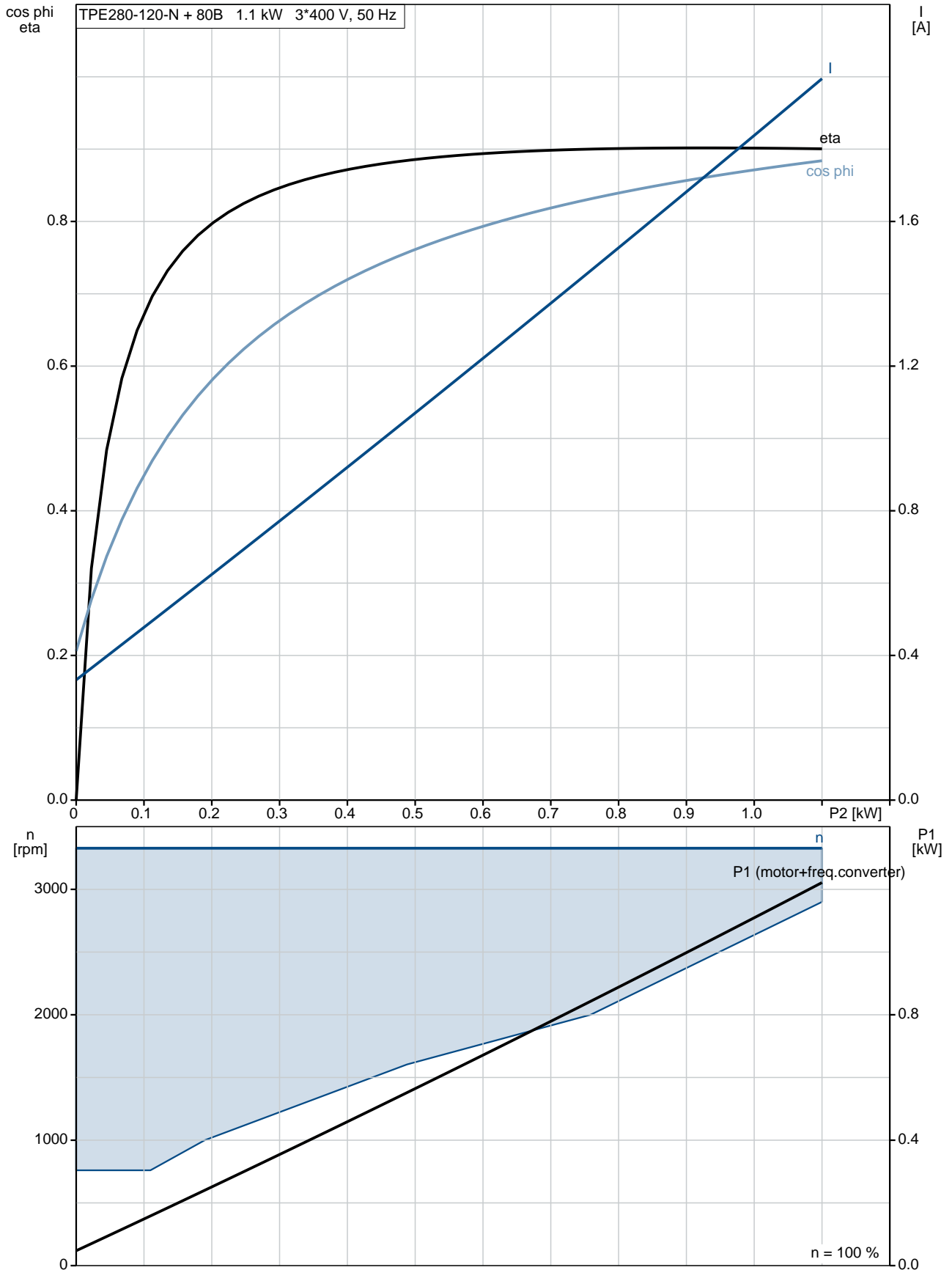
Phone:

Date:

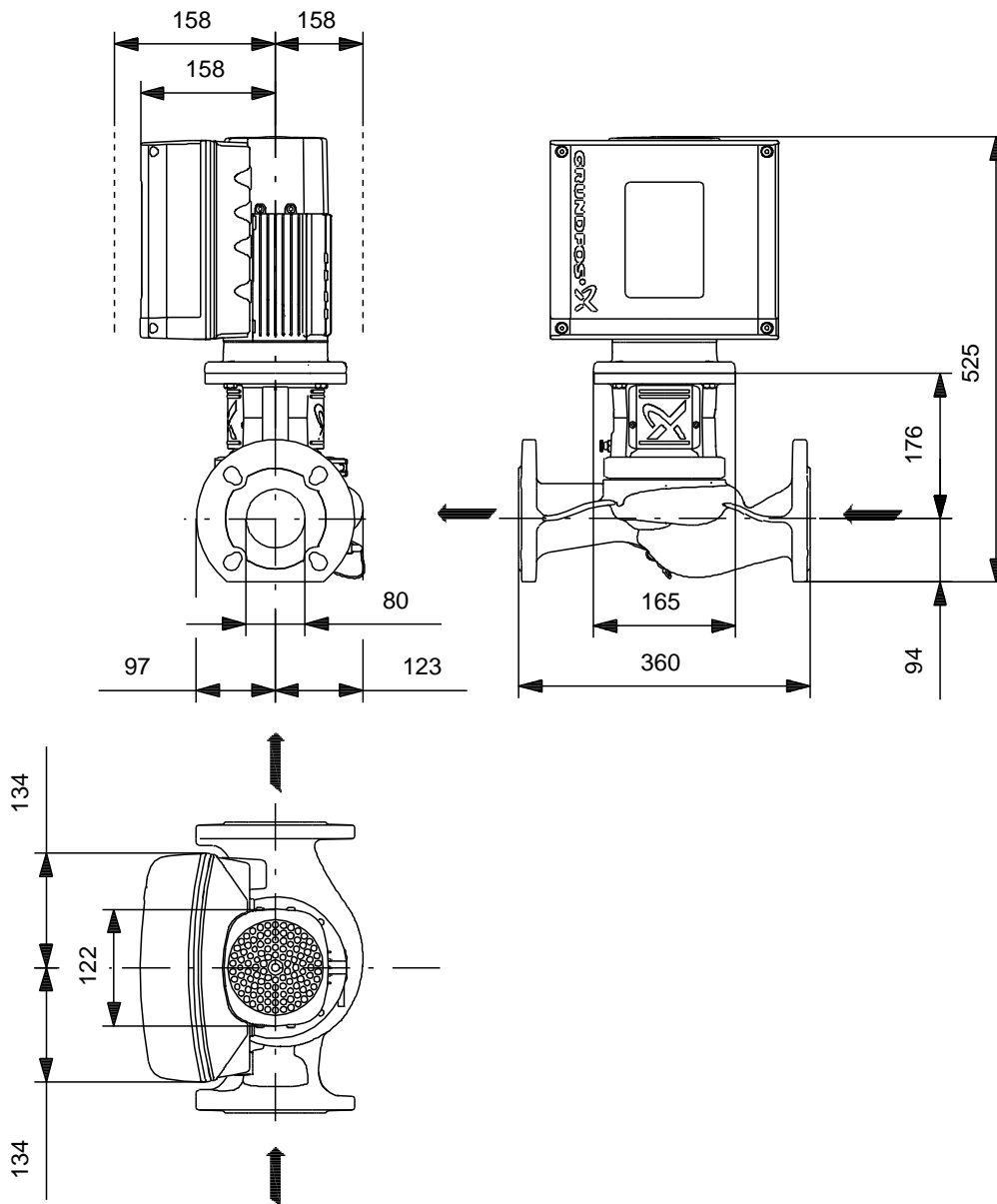
21/12/2018

Description	Value
Gross weight:	43.4 kg
Shipping volume:	0.16 m ³
Config. file no:	98819268
Norwegian NRF no.:	9043506
Country of origin:	HU
Custom tariff no.:	84137051

98437603 TPE2 80-120-N A-F-A-BQQE 50 Hz

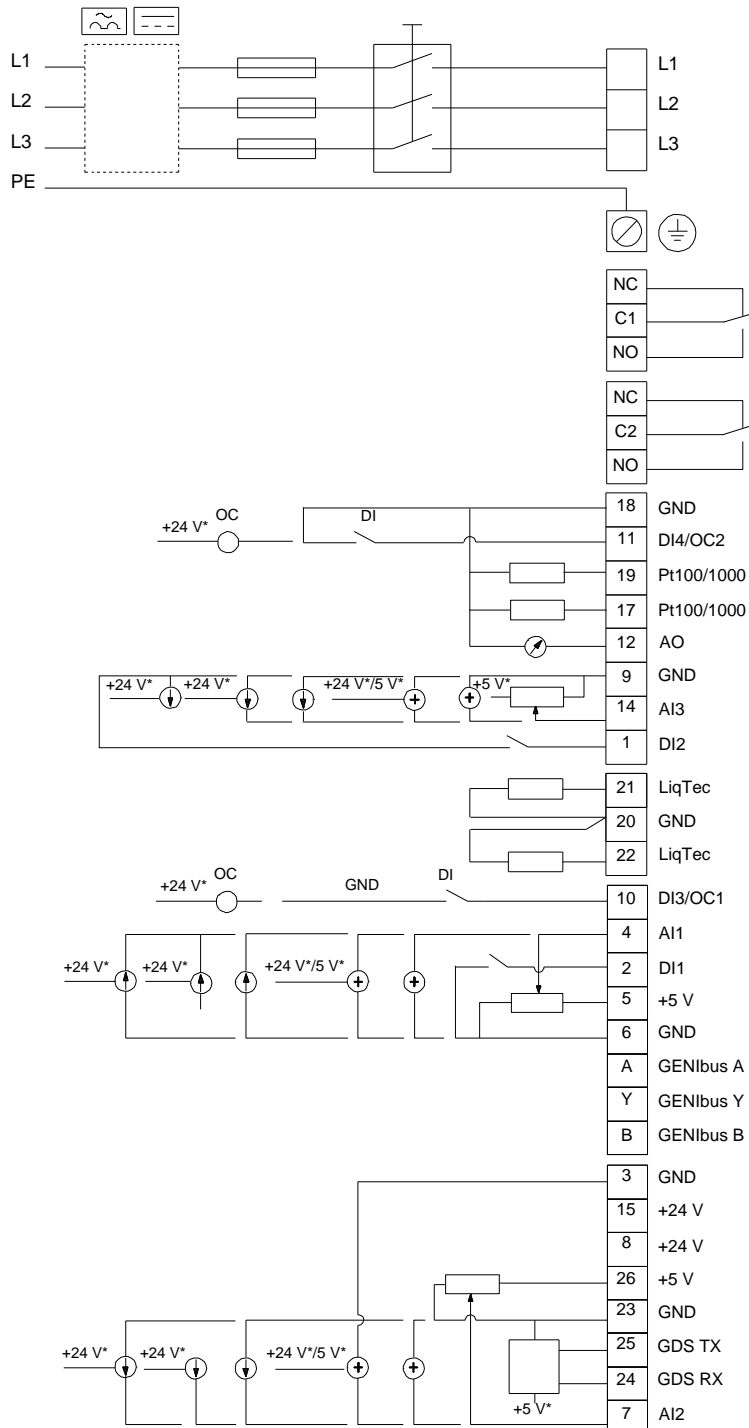


98437603 TPE2 80-120-N A-F-A-BQQE 50 Hz



Note! All units are in [mm] unless others are stated.
Disclaimer: This simplified dimensional drawing does not show all details.

98437603 TPE2 80-120-N A-F-A-BQQE 50 Hz



Note! All units are in [mm] unless others are stated.