


| Position | Count | Description  |
|----------|-------|--|
|          | 1     | <p><b>CME15-1 A-R-I-E-AQQE</b></p>  <p>Product No.: <a href="#">98396593</a></p> <p>Compact, reliable, horizontal, multistage, end-suction centrifugal pump with axial suction port and radial discharge port. Pump materials in contact with the liquid are in stainless steel. The mechanical shaft seal is a special designed, unbalanced O-ring seal. Pipework connection is via internal Whitworth pipe threads, Rp (ISO 7/1).</p> <p>The pump is fitted with a 3-phase, fan-cooled, permanent-magnet, synchronous motor. The motor includes a frequency converter and PI controller in the motor terminal box. This enables continuously variable control of the motor speed, which again enables adaptation of the performance to a given requirement.</p> <p><b>Liquid:</b><br/> Pumped liquid: Water<br/> Liquid temperature range: -4 .. 248 °F<br/> Liquid temperature during operation: 68 °F<br/> Density: 62.29 lb/ft<sup>3</sup></p> <p><b>Technical:</b><br/> Rated flow: 89.8 US gpm<br/> Rated head: 56.11 ft<br/> Primary shaft seal: AQQE<br/> Approvals on nameplate: CE,TR,CURUS,EAC<br/> Curve tolerance: ISO9906:2012 3B</p> <p><b>Materials:</b><br/> Pump housing: Stainless steel<br/> DIN W.-Nr. 1.4301<br/> AISI 304<br/> Impeller: Stainless steel<br/> DIN W.-Nr. 1.4301<br/> AISI 304<br/> Rubber: EPDM</p> <p><b>Installation:</b><br/> Maximum ambient temperature: 104 °F<br/> Maximum operating pressure: 232 psi<br/> Max pressure at stated temperature: 145 psi / 250 °F<br/> 232 psi / 194 °F<br/> Flange standard: WHITWORTH THREAD RP<br/> Pump inlet: Rp 2<br/> Pump outlet: Rp 2</p> <p><b>Electrical data:</b><br/> Motor type: 90D<br/> IE Efficiency class: IE5<br/> Rated power - P2: 3 HP<br/> Main frequency: 60 Hz<br/> Rated voltage: 3 x 380-500 V<br/> Rated current: 4.15-3.40 A</p> |



Company name:

Created by:

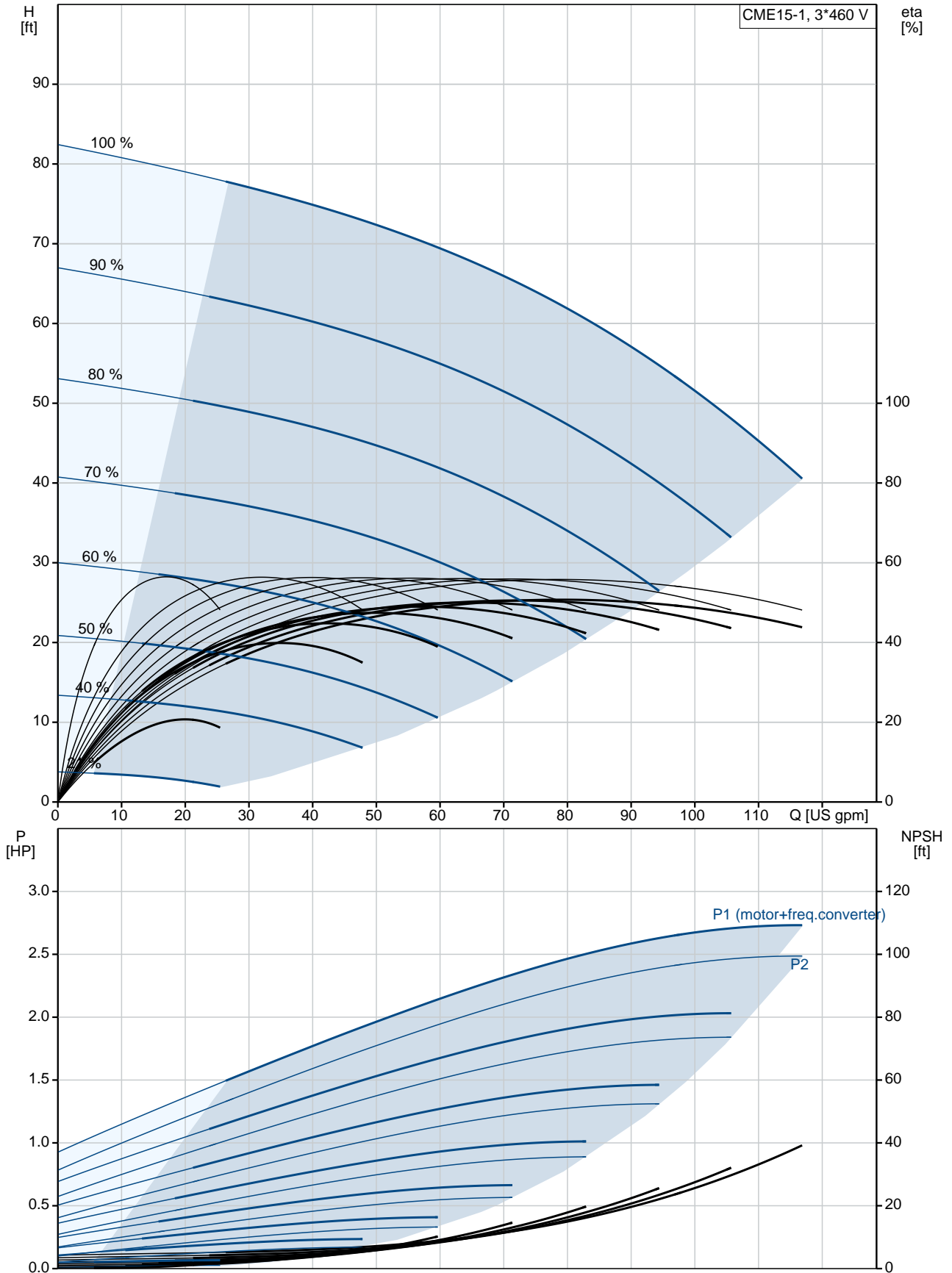
Phone:

Date:

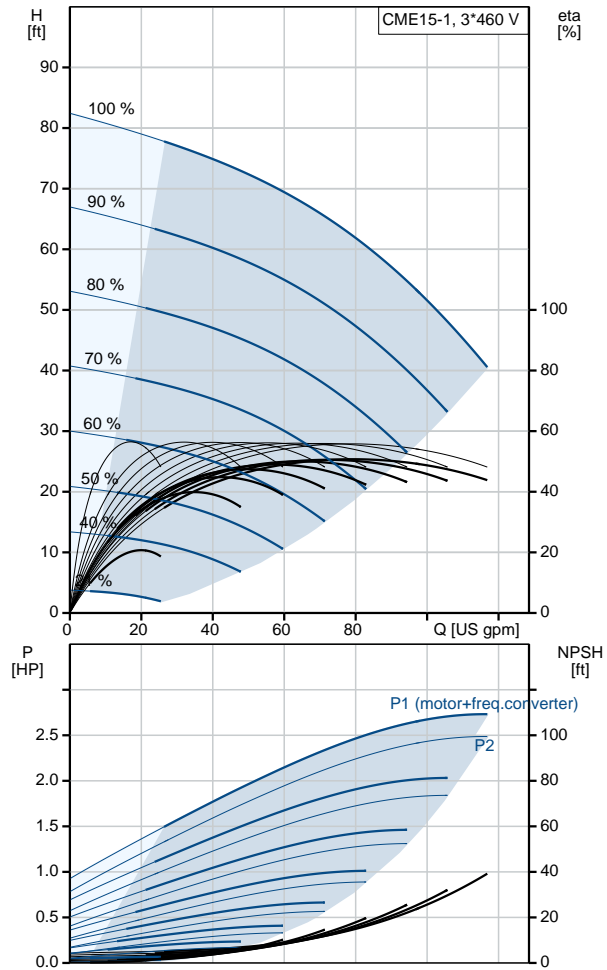
10/9/2018

| Position | Count | Description  |
|----------|-------|--|
|          |       | Rated speed: 360-4000 rpm<br>Enclosure class (IEC 34-5): IP55<br>Insulation class (IEC 85): F<br><br><b>Others:</b><br>Minimum efficiency index, MEI : 0.59<br>Net weight: 48 lb<br>Gross weight: 55.7 lb<br>Danish VVS No.: 385235010<br>Country of origin: HU<br>Custom tariff no.: 84137075 |

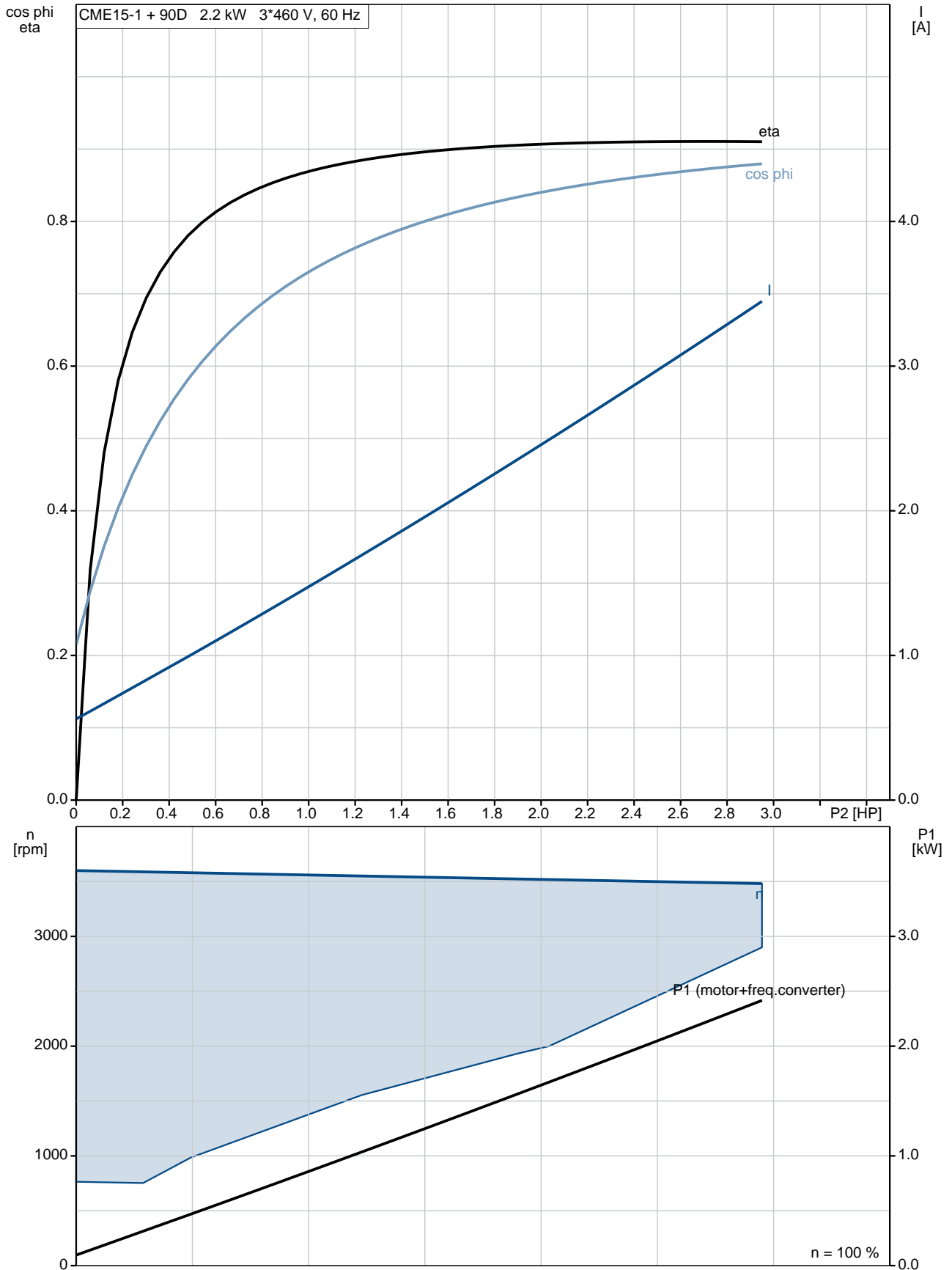
## 98396593 CME15-1 A-R-I-E-AQQE 60 Hz



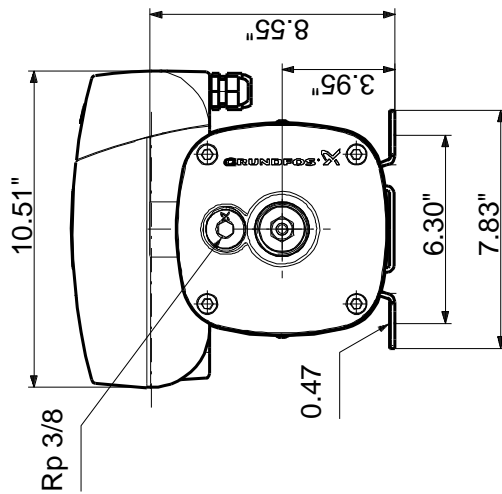
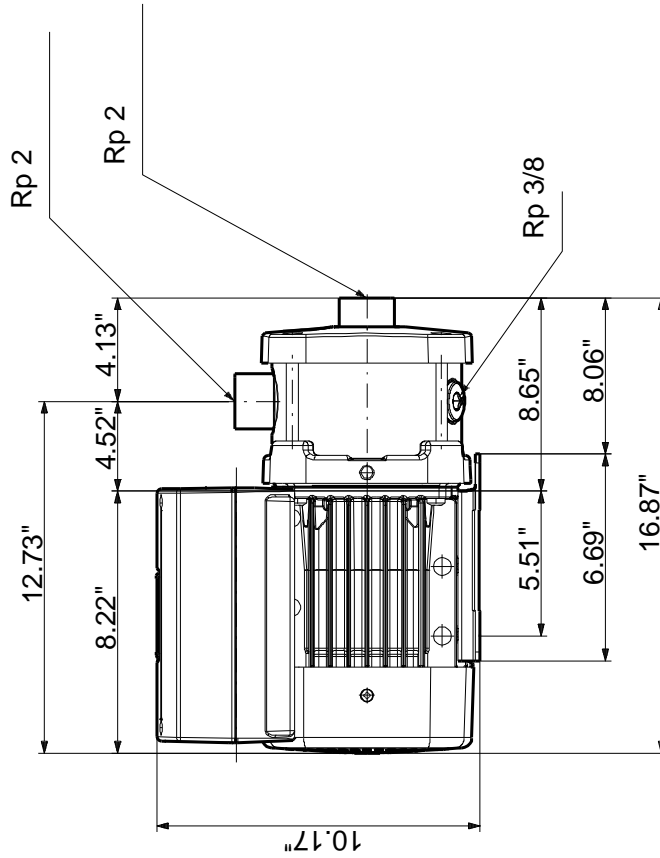
| Description                          | Value  |
|--------------------------------------|--|
| <b>General information:</b>          |  |
| Product name:                        | CME15-1 A-R-I-E-AQQE                             |
| Product No.:                         | 98396593   |
| EAN:                                 | 5711494301843                                    |
| <b>Technical:</b>                    |  |
| Rated flow:                          | 89.8 US gpm                                      |
| Rated head:                          | 56.11 ft   |
| Impellers:                           | 1  |
| Primary shaft seal:                  | AQQE   |
| Approvals on nameplate:              | CE,TR,CURUS,EAC                                  |
| Curve tolerance:                     | ISO9906:2012 3B                                  |
| Pump version:                        | A  |
| Model:                               | A  |
| <b>Materials:</b>                    |  |
| Pump housing:                        | Stainless steel<br>DIN W.-Nr. 1.4301<br>AISI 304 |
| Impeller:                            | Stainless steel<br>DIN W.-Nr. 1.4301<br>AISI 304 |
| Material code:                       | I  |
| Rubber:                              | EPDM   |
| Code for rubber:                     | E  |
| <b>Installation:</b>                 |  |
| Maximum ambient temperature:         | 104 °F   |
| Maximum operating pressure:          | 232 psi  |
| Max pressure at stated temperature:  | 145 psi / 250 °F<br>232 psi / 194 °F             |
| Flange standard:                     | WHITWORTH THREAD RP                              |
| Pump inlet:                          | Rp 2   |
| Pump outlet:                         | Rp 2   |
| Connect code:                        | R  |
| <b>Liquid:</b>                       |  |
| Pumped liquid:                       | Water  |
| Liquid temperature range:            | -4 .. 248 °F                                     |
| Liquid temperature during operation: | 68 °F  |
| Density:                             | 62.29 lb/ft³                                     |
| <b>Electrical data:</b>              |  |
| Motor type:                          | 90D  |
| IE Efficiency class:                 | IE5  |
| Rated power - P2:                    | 3 HP   |
| Main frequency:                      | 60 Hz  |
| Rated voltage:                       | 3 x 380-500 V                                    |
| Rated current:                       | 4.15-3.40 A                                      |
| Rated speed:                         | 360-4000 rpm                                     |
| Enclosure class (IEC 34-5):          | IP55   |
| Insulation class (IEC 85):           | F  |
| <b>Others:</b>                       |  |
| Minimum efficiency index, MEI :      | 0.59   |
| Net weight:                          | 48 lb  |
| Gross weight:                        | 55.7 lb  |
| Config. file no:                     | 98500773   |
| Danish VVS No.:                      | 385235010  |
| Country of origin:                   | HU   |
| Custom tariff no.:                   | 84137075   |



## 98396593 CME15-1 A-R-I-E-AQQE 60 Hz

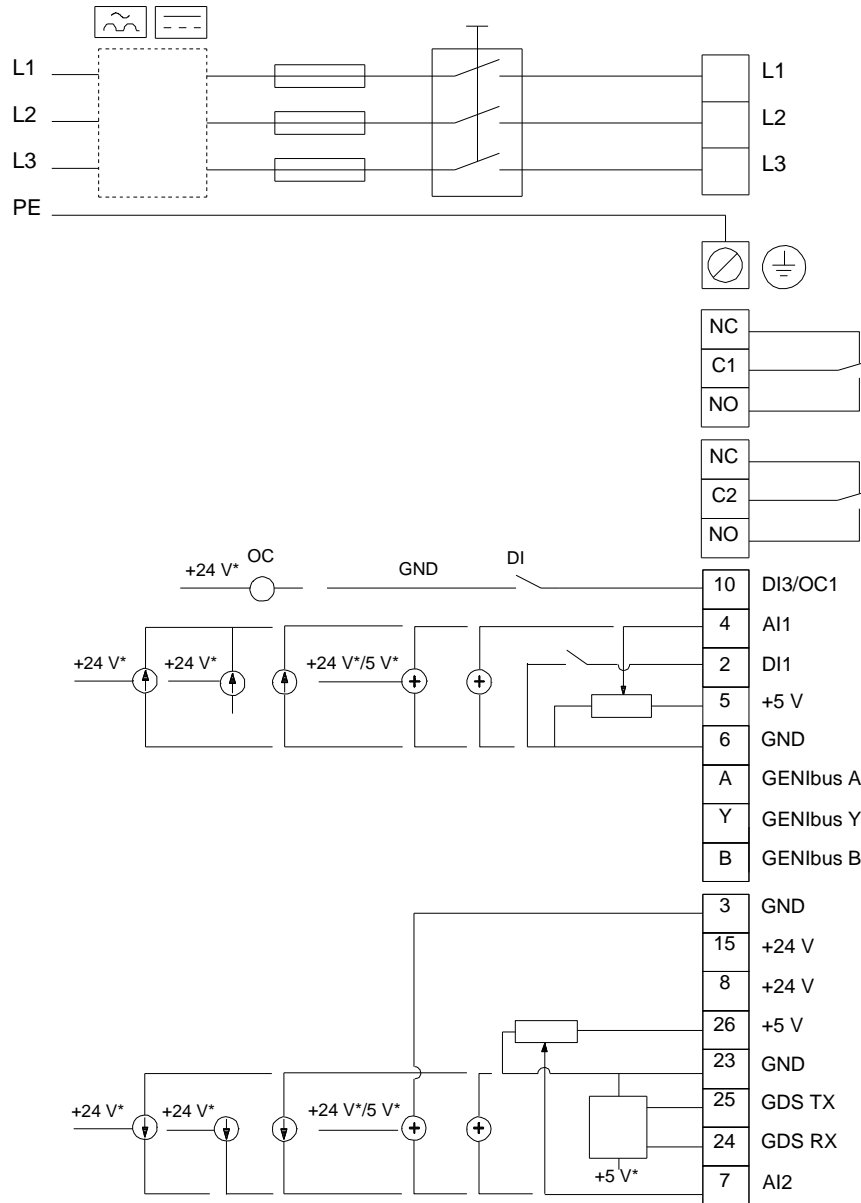


**98396593 CME15-1 A-R-I-E-AQQE 60 Hz**



Note! All units are in [mm] unless otherwise stated.  
Disclaimer: This simplified dimensional drawing does not show all details.

## 98396593 CME15-1 A-R-I-E-AQQE 60 Hz



All units are [mm] unless otherwise presented.