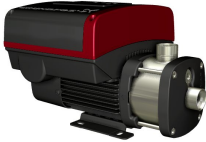


| Position | Count | Description |
|----------|-------|--|
| | 1 | <p>CME3-2 A-R-I-E-AQQE</p>  <p>Product No.: 98394877</p> <p>Compact, reliable, horizontal, multistage, end-suction centrifugal pump with axial suction port and radial discharge port. Pump materials in contact with the liquid are in stainless steel. The mechanical shaft seal is a special designed, unbalanced O-ring seal. Pipework connection is via internal Whitworth pipe threads, Rp (ISO 7/1).</p> <p>The pump is fitted with a 3-phase, fan-cooled, permanent-magnet, synchronous motor. The motor includes a frequency converter and PI controller in the motor terminal box. This enables continuously variable control of the motor speed, which again enables adaptation of the performance to a given requirement.</p> <p>Liquid: Pumped liquid: Water Liquid temperature range: -4 .. 248 °F Liquid temperature during operation: 68 °F Density: 62.29 lb/ft³</p> <p>Technical: Rated flow: 16.3 US gpm Rated head: 62.67 ft Primary shaft seal: AQQE Approvals on nameplate: CE,TR,CURUS,EAC Curve tolerance: ISO9906:2012 3B</p> <p>Materials: Pump housing: Stainless steel DIN W.-Nr. 1.4301 AISI 304 Impeller: Stainless steel DIN W.-Nr. 1.4301 AISI 304 Rubber: EPDM</p> <p>Installation: Maximum ambient temperature: 104 °F Maximum operating pressure: 232 psi Max pressure at stated temperature: 145 psi / 250 °F 232 psi / 194 °F Flange standard: WHITWORTH THREAD RP Pump inlet: Rp 1 Pump outlet: Rp 1</p> <p>Electrical data: Motor type: 71A IE Efficiency class: IE5 Rated power - P2: 0.75 HP Main frequency: 60 Hz Rated voltage: 3 x 380-500 V Rated current: 1.35-1.30 A</p> |



Company name:

Created by:

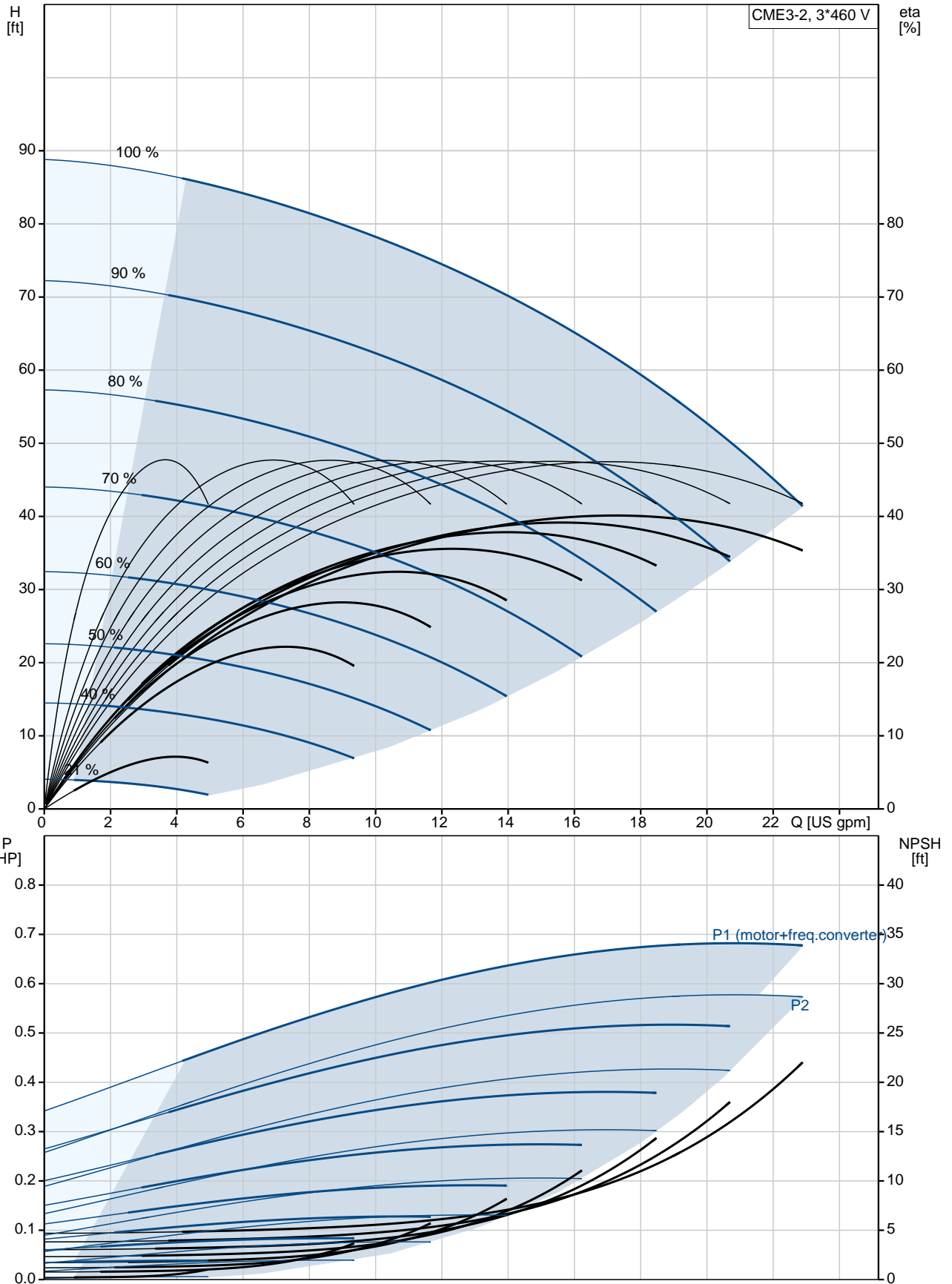
Phone:

Date:

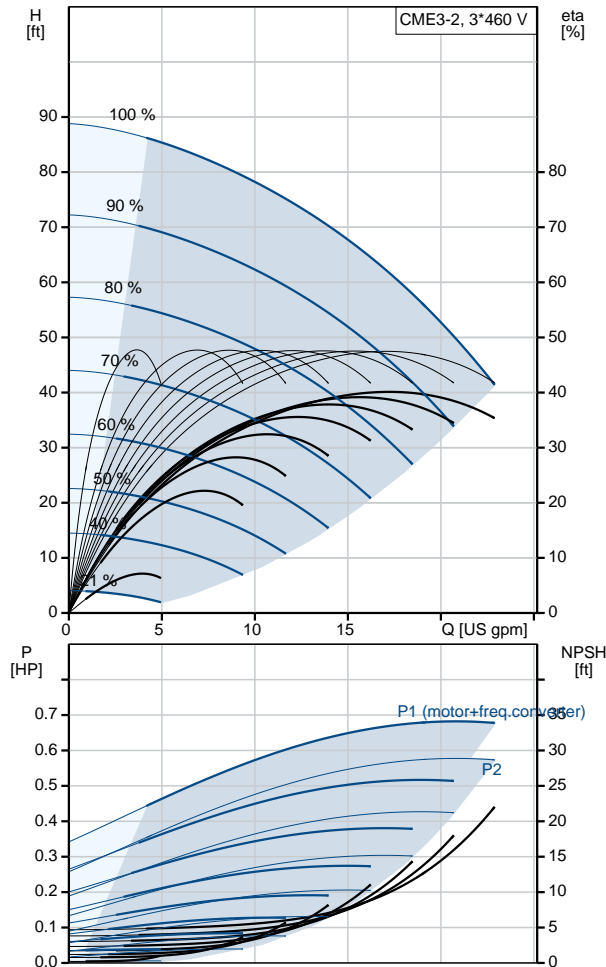
10/9/2018

| Position | Count | Description |
|----------|-------|--|
| | | Rated speed: 360-4000 rpm Enclosure class (IEC 34-5): IP55 Insulation class (IEC 85): F Others: Minimum efficiency index, MEI : 0.7 Net weight: 31.6 lb Gross weight: 39.3 lb Country of origin: HU Custom tariff no.: 84137075 |

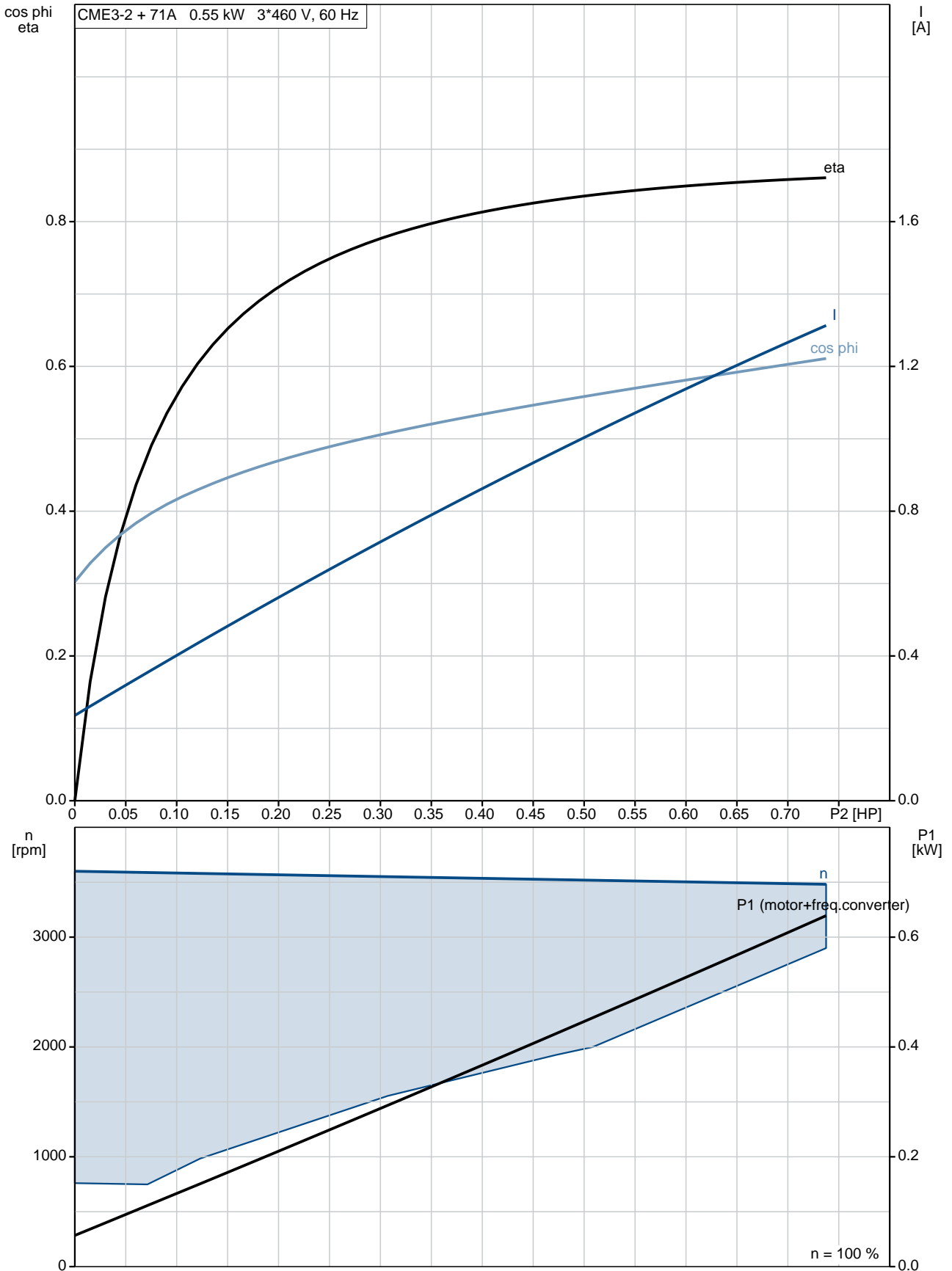
98394877 CME3-2 A-R-I-E-AQQE 60 Hz



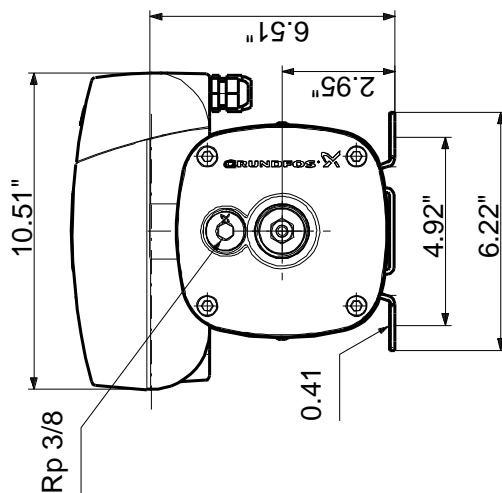
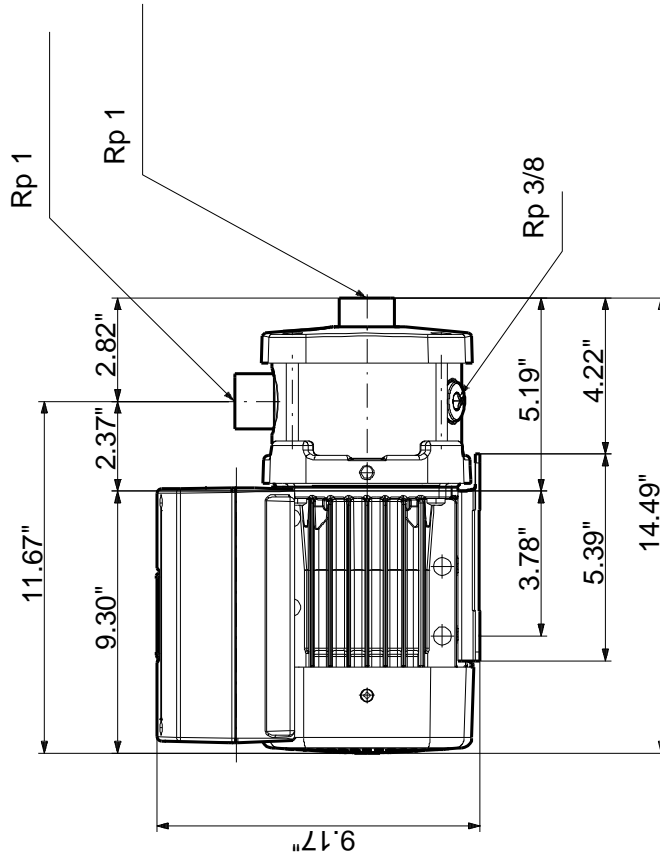
| Description | Value |
|--------------------------------------|--|
| General information: | |
| Product name: | CME3-2 A-R-I-E-AQQE |
| Product No.: | 98394877 |
| EAN: | 5711494279777 |
| Technical: | |
| Rated flow: | 16.3 US gpm |
| Rated head: | 62.67 ft |
| Impellers: | 2 |
| Primary shaft seal: | AQQE |
| Approvals on nameplate: | CE,TR,CURUS,EAC |
| Curve tolerance: | ISO9906:2012 3B |
| Pump version: | A |
| Model: | A |
| Materials: | |
| Pump housing: | Stainless steel DIN W.-Nr. 1.4301 AISI 304 |
| Impeller: | Stainless steel DIN W.-Nr. 1.4301 AISI 304 |
| Material code: | I |
| Rubber: | EPDM |
| Code for rubber: | E |
| Installation: | |
| Maximum ambient temperature: | 104 °F |
| Maximum operating pressure: | 232 psi |
| Max pressure at stated temperature: | 145 psi / 250 °F 232 psi / 194 °F |
| Flange standard: | WHITWORTH THREAD RP |
| Pump inlet: | Rp 1 |
| Pump outlet: | Rp 1 |
| Connect code: | R |
| Liquid: | |
| Pumped liquid: | Water |
| Liquid temperature range: | -4 .. 248 °F |
| Liquid temperature during operation: | 68 °F |
| Density: | 62.29 lb/ft³ |
| Electrical data: | |
| Motor type: | 71A |
| IE Efficiency class: | IE5 |
| Rated power - P2: | 0.75 HP |
| Main frequency: | 60 Hz |
| Rated voltage: | 3 x 380-500 V |
| Rated current: | 1.35-1.30 A |
| Rated speed: | 360-4000 rpm |
| Enclosure class (IEC 34-5): | IP55 |
| Insulation class (IEC 85): | F |
| Others: | |
| Minimum efficiency index, MEI : | 0.7 |
| Net weight: | 31.6 lb |
| Gross weight: | 39.3 lb |
| Config. file no: | 98498724 |
| Country of origin: | HU |
| Custom tariff no.: | 84137075 |



98394877 CME3-2 A-R-I-E-AQQE 60 Hz

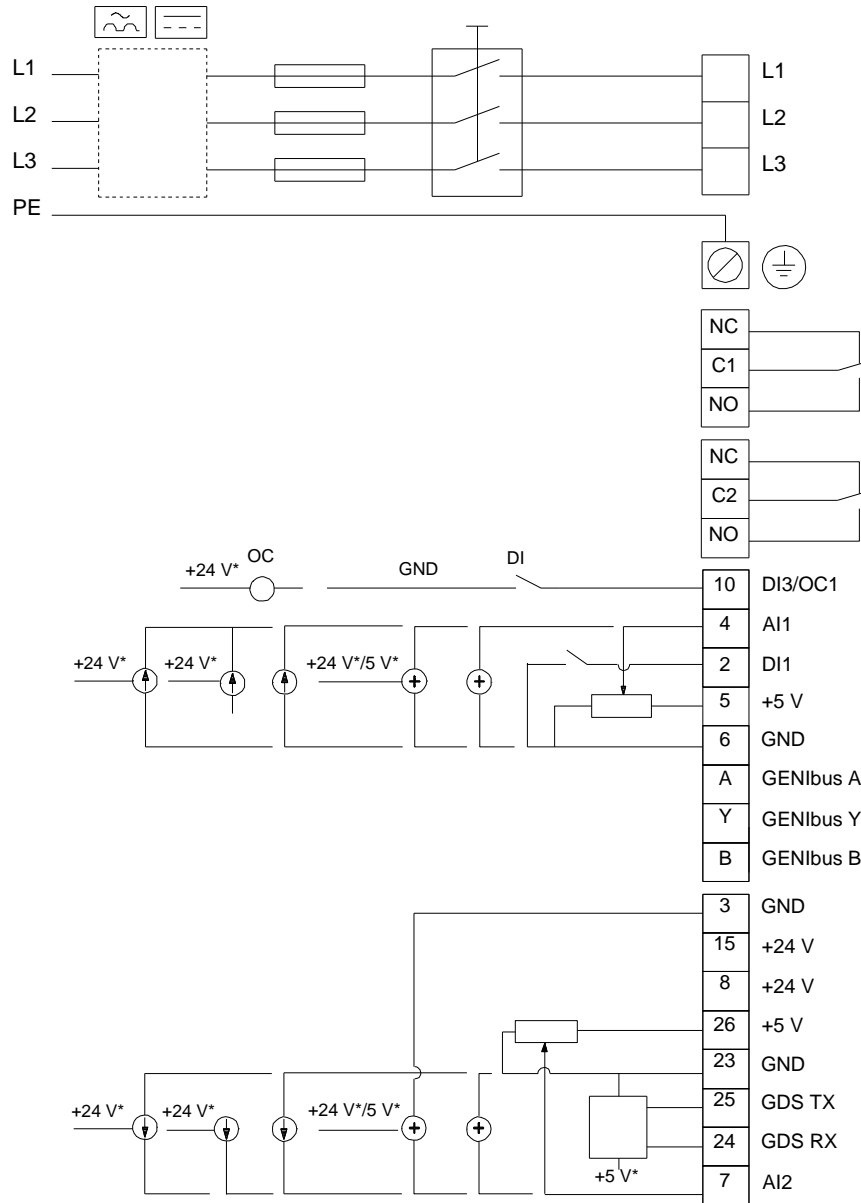


98394877 CME3-2 A-R-I-E-AQQE 60 Hz



Note! All units are in [mm] unless otherwise stated.
Disclaimer: This simplified dimensional drawing does not show all details.

98394877 CME3-2 A-R-I-E-AQQE 60 Hz



All units are [mm] unless otherwise presented.