
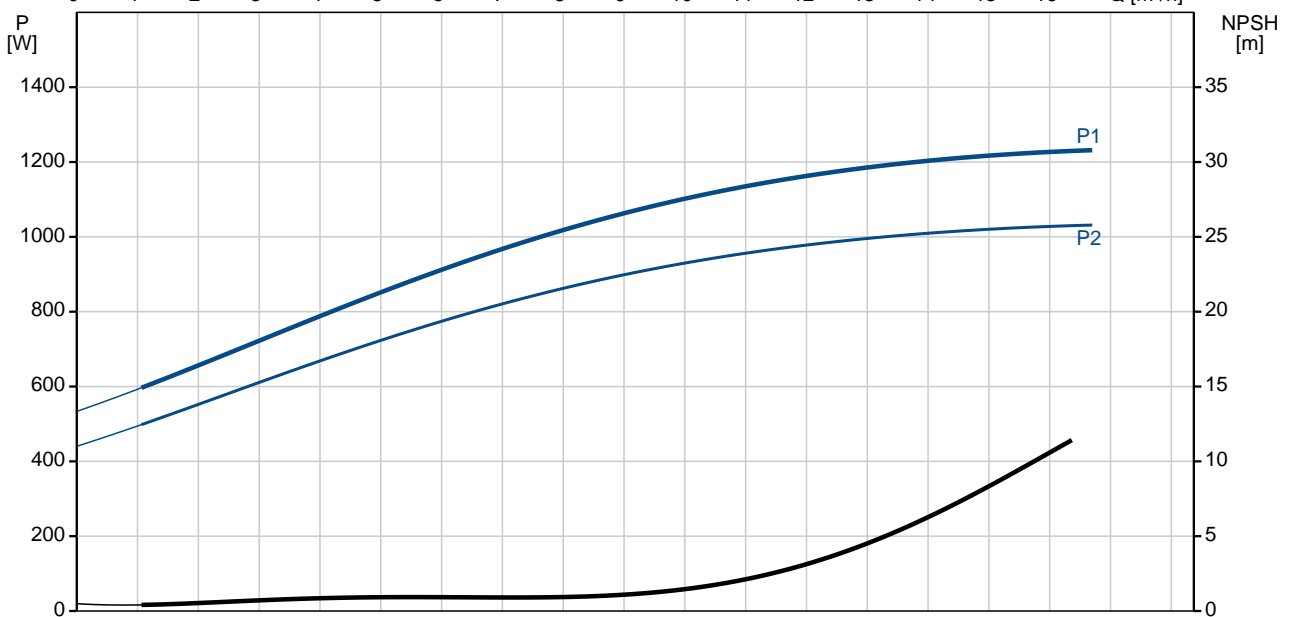
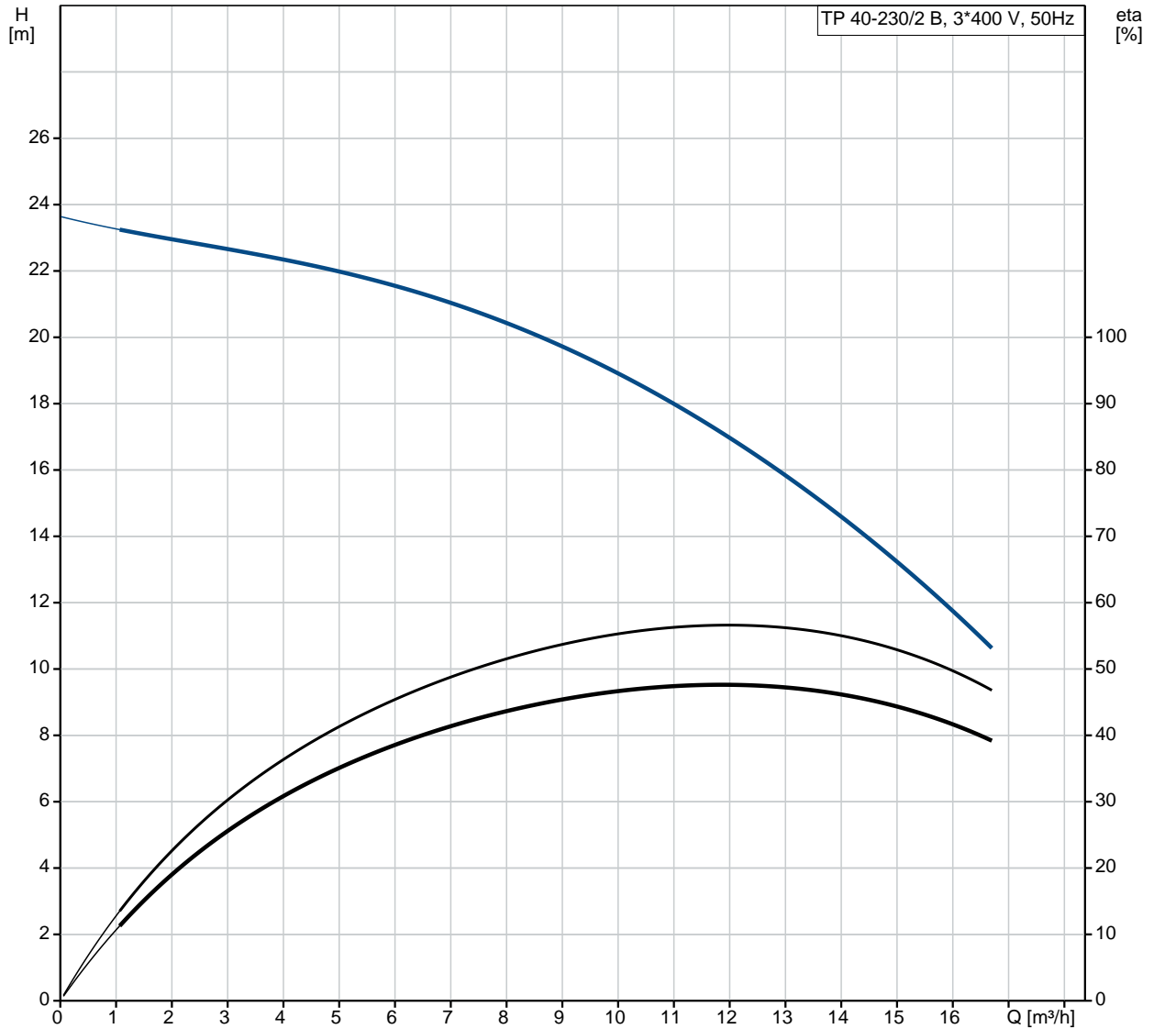


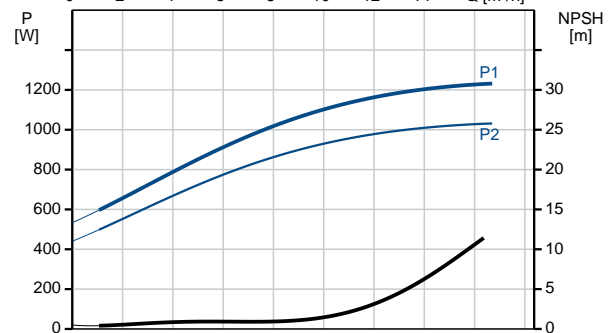
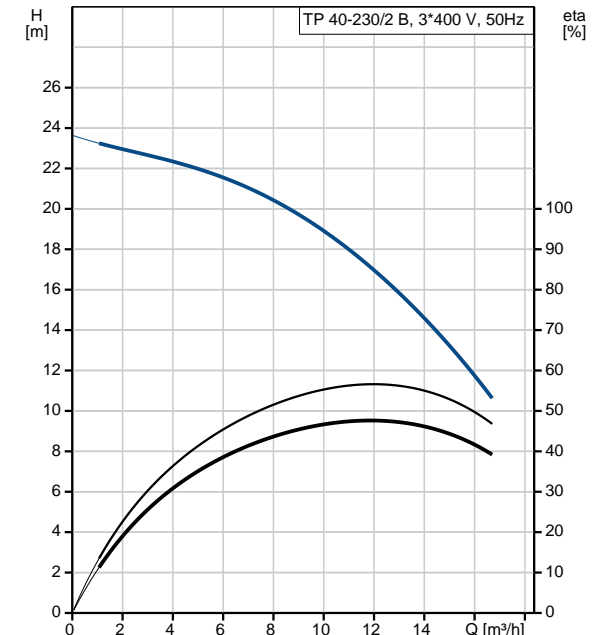
| Position | Qty. | Description |
|----------|------|---------------------------------------------------------------------------------------------------------------------------------------------------------------------------------------------------------------------------------------------------------------------------------------------------------------------------------------------------------------------------------------------------------------------------------------------------------------------------------------------------------------------------------------------------------------------------------------------------------------------------------------------------------------------------------------------------------------------------------------------------------------------------------------------------------------------------------------------------------------------------------------------------------------------------------------------------------------------------------------------------------------------------------------------------------------------------------------------------------------------------------------------------------------------------------------------------------------------------------------------------------------------------------------------------------------------------------------------------------------------------------------------------------------------------------------------------------------------------------------------------------------------------------------------------------------------------------------------------------------------------------------------------------------------------------------------------------------------------------------------------------------------------------------------------------------------------------------------------------|
| | 1 | <p>TP 40-230/2 B A-F-Z-BQQE</p>  <p>Note! Product picture may differ from actual product</p> <p>Product No.: 98391065</p> <p>Single-stage, close-coupled, volute pump with in-line suction and discharge ports of identical diameter. The pump is of the top-pull-out design, i.e. the power head (motor, pump head and impeller) can be removed for maintenance or service while the pump housing remains in the pipework.</p> <p>The pump is fitted with an unbalanced rubber bellows seal. The shaft seal is according to EN 12756. Pipework connection is via PN 16 DIN flanges (EN 1092-2 and ISO 7005-2).</p> <p>The pump is fitted with a fan-cooled asynchronous motor.</p> <p>Liquid: Pumped liquid: Water Liquid temperature range: -25 .. 120 °C Liquid temperature during operation: 20 °C Density: 998.2 kg/m³</p> <p>Technical: Speed for pump data: 2835 rpm Rated flow: 12 m³/h Rated head: 16.98 m Primary shaft seal: BQQE Curve tolerance: ISO9906:2012 3B</p> <p>Materials: Pump housing: Bronze DIN W.-Nr. 2.1050 ASTM B505-C90700 Impeller: Stainless steel DIN W.-Nr. 1.4301 AISI 304</p> <p>Installation: Range of ambient temperature: -30 .. 60 °C Maximum operating pressure: 16 bar Flange standard: DIN Pipe connection: DN 40 Pressure stage: PN 16 Port-to-port length: 320 mm Flange size for motor: FT100</p> <p>Electrical data: Motor type: 80C IE Efficiency class: IE3 Rated power - P2: 1.1 kW Power (P2) required by pump: 1.1 kW Mains frequency: 50 Hz Rated voltage: 3 x 220-240D/380-415Y V</p> |

| Position | Qty. | Description |
|----------|------|-------------------------------------------------------------------------------------------------------------------------------------------------------------------------------------------------------------------------------------------------------------------------------------------------------------------------------------------------------------------------------------------------------------------------------------------------------------------------------------------------------------------------------------------------------------------------------------------------------------------------------------------------------------------------------------------------------------------|
| | | <p>Rated current: 4,35/2,50 A</p> <p>Starting current: 450-500 %</p> <p>Cos phi - power factor: 0,83-0,76</p> <p>Rated speed: 2840-2870 rpm</p> <p>Efficiency: IE3 82,7%</p> <p>Motor efficiency at full load: 82.7 %</p> <p>Motor efficiency at 3/4 load: 84.6 %</p> <p>Motor efficiency at 1/2 load: 85.4 %</p> <p>Number of poles: 2</p> <p>Enclosure class (IEC 34-5): 55 Dust/Jetting</p> <p>Insulation class (IEC 85): F</p> <p>Others:</p> <p>Label: Grundfos Blueflux</p> <p>Minimum efficiency index, MEI : 0.61</p> <p>ErP status: EuP Standalone/Prod.</p> <p>Net weight: 32.3 kg</p> <p>Gross weight: 35.8 kg</p> <p>Shipping volume: 0.06 m³</p> <p>Danish: VVS NO 38 1882.230</p> |

98391065 TP 40-230/2 B 50 Hz



| Description | Value |
|--------------------------------------|--------------------------|
| General information: | |
| Product name: | TP 40-230/2 B A-F-Z-BQQE |
| Product No: | 98391065 |
| EAN number: | 5711494209217 |
| Technical: | |
| Speed for pump data: | 2835 rpm |
| Rated flow: | 12 m ³ /h |
| Rated head: | 16.98 m |
| Head max: | 230 dm |
| Primary shaft seal: | BQQE |
| Curve tolerance: | ISO9906:2012 3B |
| Pump version: | A |
| Model: | A |
| Materials: | |
| Pump housing: | Bronze |
| | DIN W.-Nr. 2.1050 |
| | ASTM B505-C90700 |
| Impeller: | Stainless steel |
| | DIN W.-Nr. 1.4301 |
| | AISI 304 |
| Material code: | Z |
| Installation: | |
| Range of ambient temperature: | -30 .. 60 °C |
| Maximum operating pressure: | 16 bar |
| Flange standard: | DIN |
| Connect code: | F |
| Pipe connection: | DN 40 |
| Pressure stage: | PN 16 |
| Port-to-port length: | 320 mm |
| Flange size for motor: | FT100 |
| Liquid: | |
| Pumped liquid: | Water |
| Liquid temperature range: | -25 .. 120 °C |
| Liquid temperature during operation: | 20 °C |
| Density: | 998.2 kg/m ³ |
| Electrical data: | |
| Motor type: | 80C |
| IE Efficiency class: | IE3 |
| Rated power - P2: | 1.1 kW |
| Power (P2) required by pump: | 1.1 kW |
| Mains frequency: | 50 Hz |
| Rated voltage: | 3 x 220-240D/380-415Y V |
| Rated current: | 4,35/2,50 A |
| Starting current: | 450-500 % |
| Cos phi - power factor: | 0,83-0,76 |
| Rated speed: | 2840-2870 rpm |
| Efficiency: | IE3 82,7% |
| Motor efficiency at full load: | 82.7 % |
| Motor efficiency at 3/4 load: | 84.6 % |
| Motor efficiency at 1/2 load: | 85.4 % |
| Number of poles: | 2 |
| Enclosure class (IEC 34-5): | 55 Dust/Jetting |
| Insulation class (IEC 85): | F |
| Motor protec: | NONE |





Company name:

Created by:

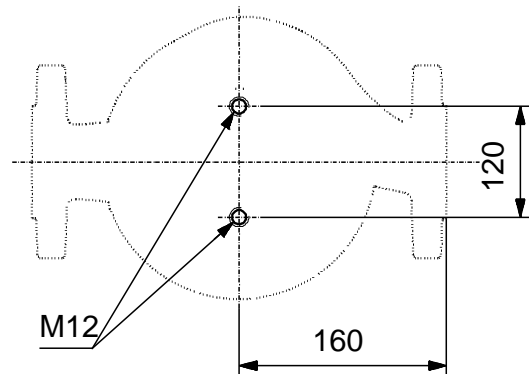
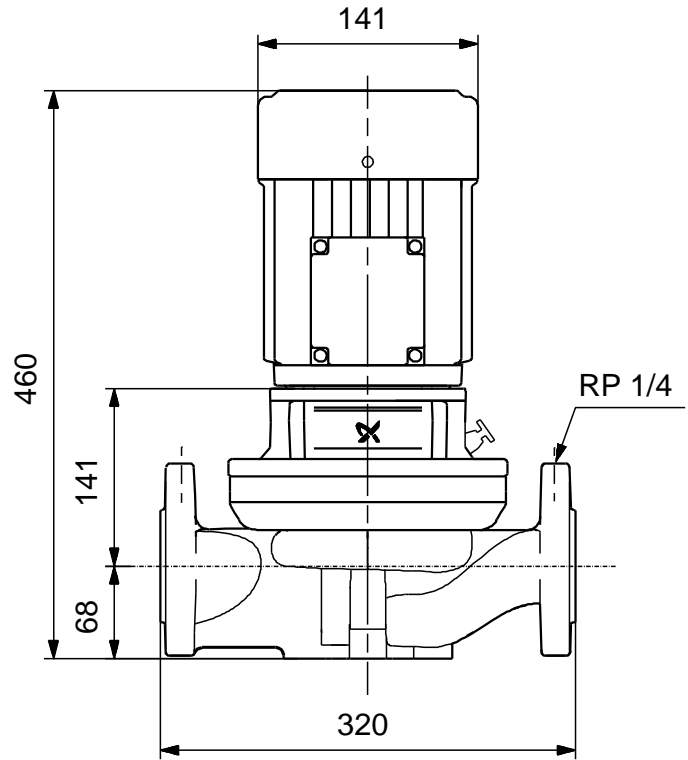
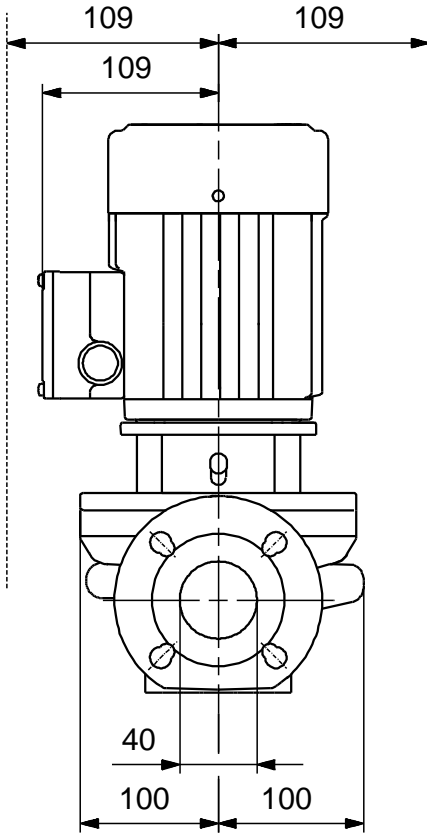
Phone:

Date:

30/06/2017

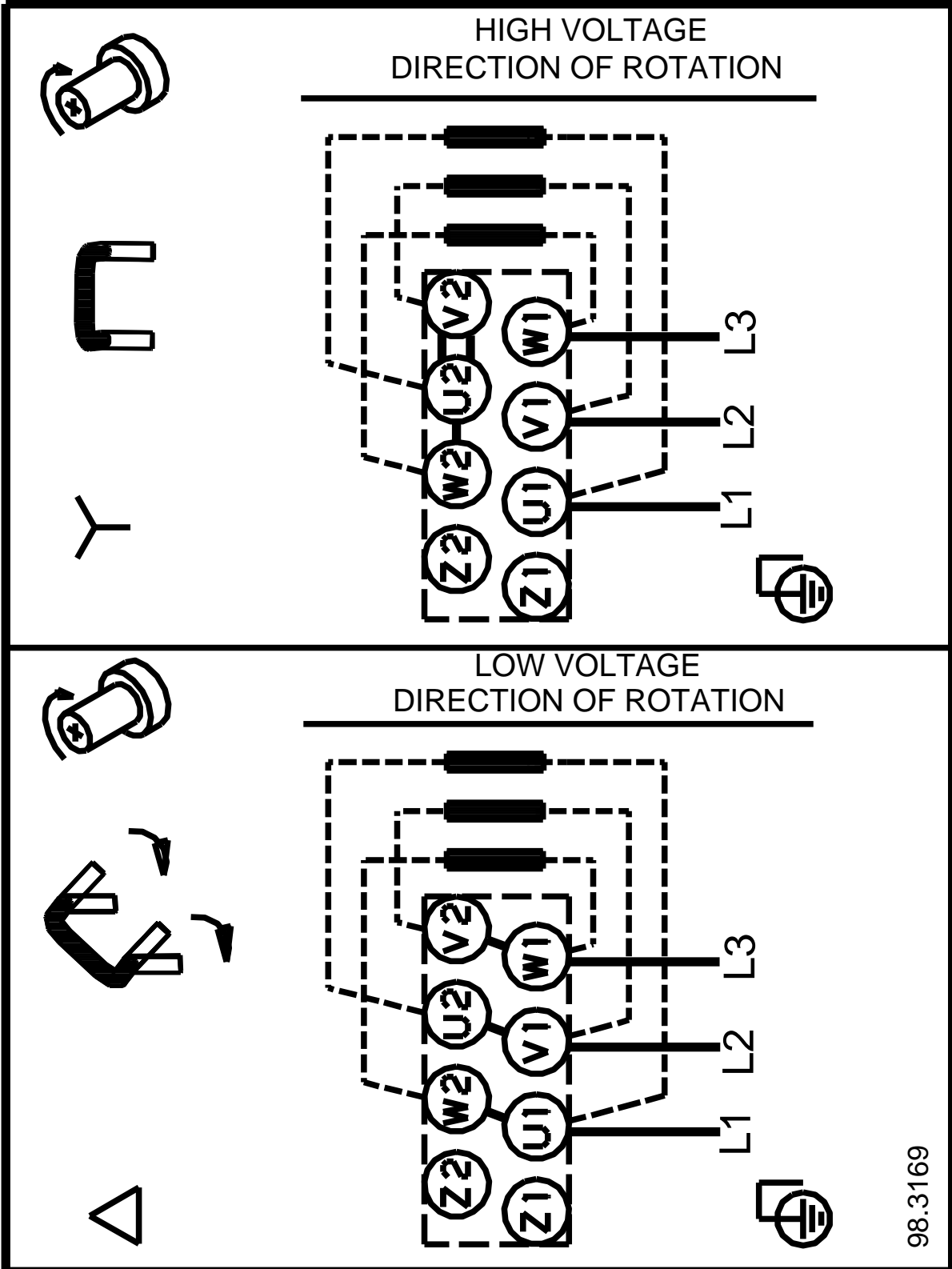
| Description | Value |
|---------------------------------|----------------------|
| Motor No: | 85U05105 |
| Others: | |
| Label: | Grundfos Blueflux |
| Minimum efficiency index, MEI : | 0.61 |
| ErP status: | EuP Standalone/Prod. |
| Net weight: | 32.3 kg |
| Gross weight: | 35.8 kg |
| Shipping volume: | 0.06 m ³ |
| Danish: | VVS NO 38 1882.230 |

98391065 TP 40-230/2 B 50 Hz



Note! All units are in [mm] unless others are stated.
Disclaimer: This simplified dimensional drawing does not show all details.

98391065 TP 40-230/2 B 50 Hz



98.3169

Note! All units are in [mm] unless others are stated.