
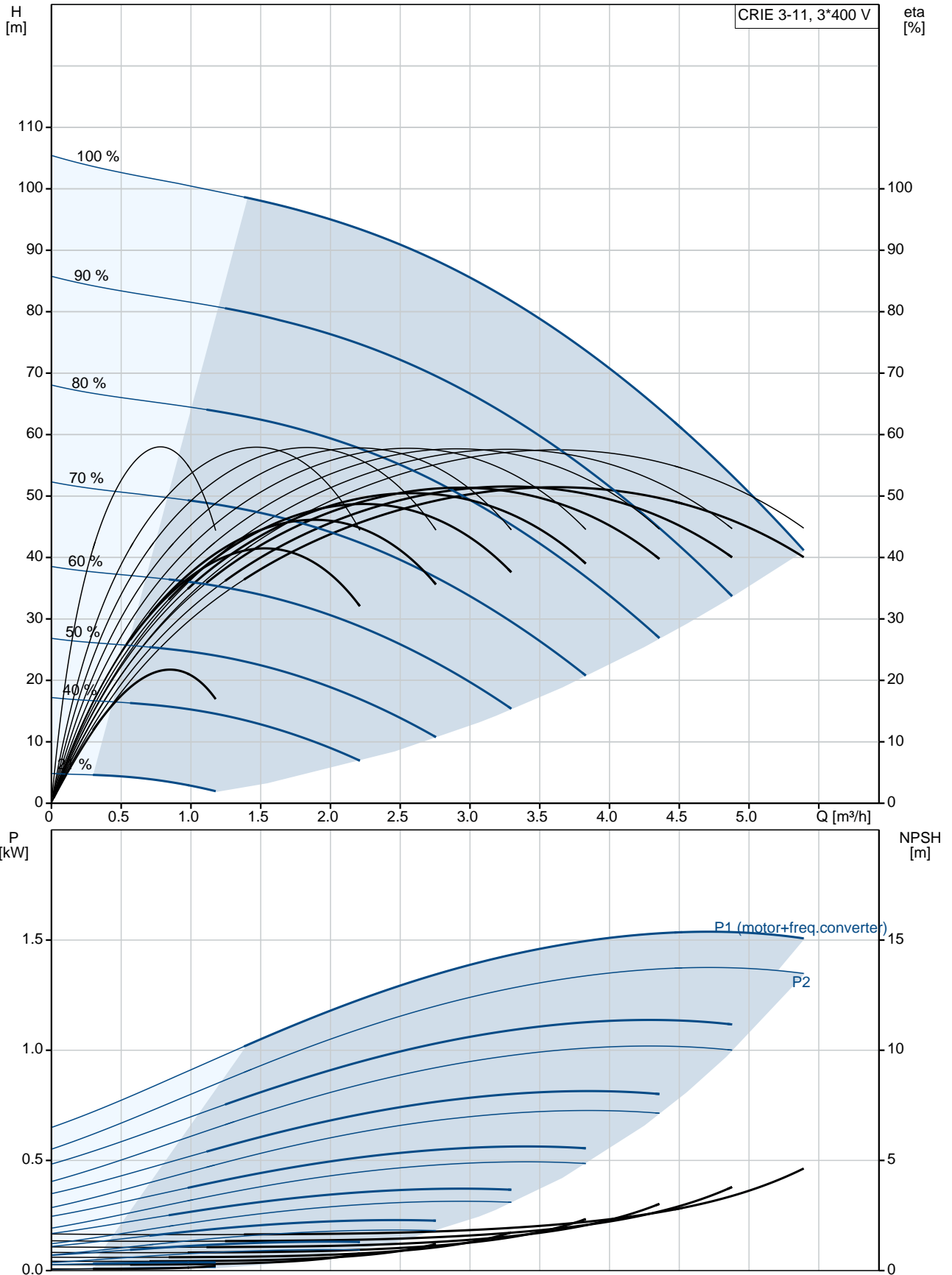


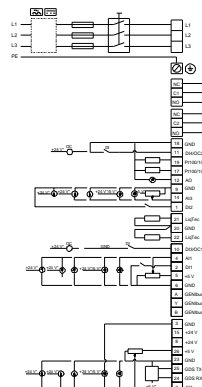
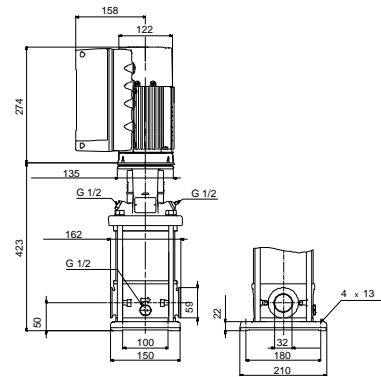
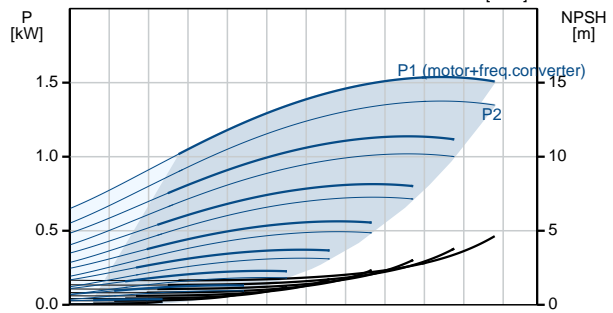
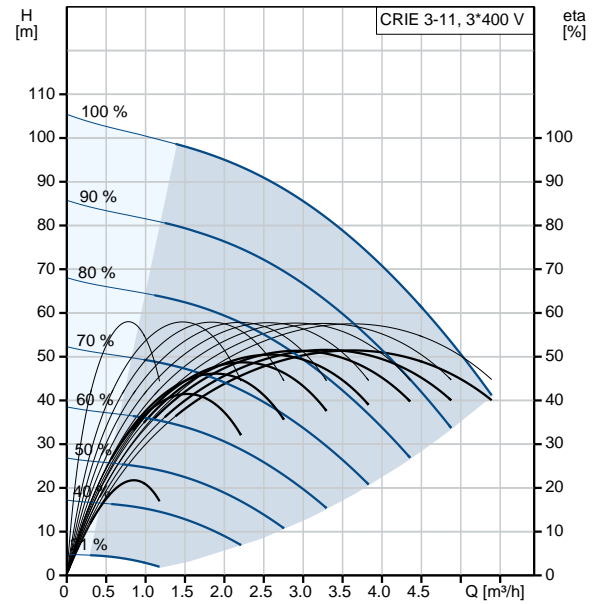
| Qty. | Description | | | | | | |
|----------------------|--|----------------------|----------|------------------|---|----------------|-------|
| 1 | <p data-bbox="199 338 518 369">CRIE 3-11 A-CA-A-E-HQQE</p> <div data-bbox="306 389 486 779">  </div> <p data-bbox="592 770 1075 795" style="text-align: center;">Note! Product picture may differ from actual product</p> <p data-bbox="199 801 469 831">Product No.: 98389756</p> <p data-bbox="199 862 1449 938">Vertical, multistage centrifugal pump with inlet and outlet ports on same the level (inline). Pump materials in contact with the liquid are in stainless steel. A cartridge shaft seal ensures high reliability, safe handling, and easy access and service. Power transmission is via a rigid split coupling. Pipe connection is via FlexiClamps.</p> <p data-bbox="199 976 1153 1005">The pump is fitted with a 3-phase, fan-cooled, permanent-magnet, synchronous motor.</p> <p data-bbox="199 1005 1037 1034">The motor efficiency is classified as IE5 in accordance with IEC 60034-30-2.</p> <p data-bbox="199 1034 1461 1162">The motor includes a frequency converter and PI controller in the motor terminal box. This enables continuously variable control of the motor speed, which again enables adaptation of the performance to a given requirement. An operating panel on the motor terminal box enables setting of required setpoint as well as setting of pump to "Min." or "Max." operation or to "Stop". The Grundfos Eye indicator on the operating panel provides visual indication of pump status:</p> <ul data-bbox="237 1176 1422 1321" style="list-style-type: none"> • "Power on": Motor is running (rotating green indicator lights) or not running (permanently green indicator lights) • "Warning": Motor is still running (rotating yellow indicator lights) or has stopped (permanently yellow indicator lights) • "Alarm": Motor has stopped (flashing red indicator lights). <p data-bbox="199 1352 1461 1429">Communication with the pump is possible by means of Grundfos GO Remote (accessory). The remote control enables further settings as well as reading out of a number of parameters such as "Actual value", "Speed", "Power input" and total "Power consumption".</p> <p data-bbox="199 1467 1399 1520">The terminal box has a number of inputs and outputs enabling the motor to be used in advanced applications where many inputs and outputs are required:</p> <ul data-bbox="237 1527 916 1879" style="list-style-type: none"> • two dedicated digital inputs • three analog inputs, 0(4)-20 mA, 0-5 V, 0-10 V, 0.5 - 3.5 V • 5 V voltage supply to potentiometer and sensor • one analog output, 0-10 V, 0(4)-20 mA • two configurable digital inputs or open-collector outputs • two Pt100/Pt1000 inputs • LiqTec, dry-running protection sensor input • Grundfos Digital Sensor input and output • 24 V voltage supply for sensors • two signal-relay outputs (potential-free contacts) • GENibus connection • interface for Grundfos CIM fieldbus module. <p data-bbox="199 1910 316 1939">Controls:</p> <table data-bbox="199 1939 643 1998"> <tr> <td>Frequency converter:</td> <td>Built-in</td> </tr> <tr> <td>Pressure sensor:</td> <td>N</td> </tr> </table> <p data-bbox="199 2029 288 2058">Liquid:</p> <table data-bbox="199 2058 635 2087"> <tr> <td>Pumped liquid:</td> <td>Water</td> </tr> </table> | Frequency converter: | Built-in | Pressure sensor: | N | Pumped liquid: | Water |
| Frequency converter: | Built-in | | | | | | |
| Pressure sensor: | N | | | | | | |
| Pumped liquid: | Water | | | | | | |

| Qty. | Description |
|------|---|
| | Liquid temperature range: -20 .. 120 °C Liquid temperature during operation: 20 °C Density: 998.2 kg/m ³ |
| | Technical: Pump speed on which pump data are based: 3501 rpm Rated flow: 3.5 m ³ /h Rated head: 79.2 m Pump orientation: Vertical Shaft seal arrangement: Single Code for shaft seal: HQQE Approvals on nameplate: CE, EAC, ACS Curve tolerance: ISO9906:2012 3B |
| | Materials: Base: Stainless steel EN 1.4408 AISI 316 Impeller: Stainless steel EN 1.4301 AISI 304 Bearing: SIC |
| | Installation: Maximum ambient temperature: 50 °C Maximum operating pressure: 25 bar Max pressure at stated temp: 25 bar / 120 °C 25 bar / -20 °C Type of connection: FlexiClamp Size of inlet connection: DN 32 1 1/4 inch Size of outlet connection: DN 32 1 1/4 inch Pressure rating for pipe connection: PN 25 Flange size for motor: FT115 |
| | Electrical data: Motor standard: IEC Motor type: 90SC IE Efficiency class: IE5 Rated power - P2: 1.5 kW Power (P2) required by pump: 1.5 kW Mains frequency: 50 Hz Rated voltage: 3 x 380-500 V Rated current: 2.90-2.40 A Cos phi - power factor: 0.92-0.85 Rated speed: 360-4000 rpm Efficiency: 88.9% Motor efficiency at full load: 88.9 % Enclosure class (IEC 34-5): IP55 Insulation class (IEC 85): F |
| | Others: Minimum efficiency index, MEI $\hat{\alpha}\%$: 0.70 Net weight: 28.8 kg Gross weight: 31.7 kg Shipping volume: 0.143 m ³ Country of origin: GB Custom tariff no.: 84137075 |

98389756 CRIE 3-11 A-CA-A-E-HQQE 50 Hz



| Description | Value |
|--|--|
| General information: | |
| Product name: | CRIE 3-11 A-CA-A-E-HQQE |
| Product No: | 98389756 |
| EAN number: | 5711494183654 |
| Price: | 2.196,00 GBP |
| Technical: | |
| Pump speed on which pump data are based: | 3501 rpm |
| Rated flow: | 3.5 m ³ /h |
| Rated head: | 79.2 m |
| Head max: | 105.3 m |
| Stages: | 11 |
| Impellers: | 11 |
| Number of reduced-diameter impellers: | 0 |
| Low NPSH: | N |
| Pump orientation: | Vertical |
| Shaft seal arrangement: | Single |
| Code for shaft seal: | HQQE |
| Approvals on nameplate: | CE, EAC, ACS |
| Curve tolerance: | ISO9906:2012 3B |
| Pump version: | A |
| Model: | A |
| Materials: | |
| Base: | Stainless steel EN 1.4408 AISI 316 |
| Impeller: | Stainless steel EN 1.4301 AISI 304 |
| Material code: | A |
| Code for rubber: | E |
| Bearing: | SIC |
| Installation: | |
| Maximum ambient temperature: | 50 °C |
| Maximum operating pressure: | 25 bar |
| Max pressure at stated temp: | 25 bar / 120 °C 25 bar / -20 °C |
| Type of connection: | FlexiClamp |
| Size of inlet connection: | DN 32 1 1/4 inch |
| Size of outlet connection: | DN 32 1 1/4 inch |
| Pressure rating for pipe connection: | PN 25 |
| Flange size for motor: | FT115 |
| Connect code: | CA |
| Liquid: | |
| Pumped liquid: | Water |
| Liquid temperature range: | -20 .. 120 °C |
| Liquid temperature during operation: | 20 °C |
| Density: | 998.2 kg/m ³ |
| Electrical data: | |
| Motor standard: | IEC |
| Motor type: | 90SC |
| IE Efficiency class: | IE5 |
| Rated power - P2: | 1.5 kW |
| Power (P2) required by pump: | 1.5 kW |
| Mains frequency: | 50 Hz |
| Rated voltage: | 3 x 380-500 V |





Company name:

Created by:

Phone:

Date:

19/03/2019

| Description | Value |
|----------------------------------|----------------------|
| Rated current: | 2.90-2.40 A |
| Cos phi - power factor: | 0.92-0.85 |
| Rated speed: | 360-4000 rpm |
| Efficiency: | 88.9% |
| Motor efficiency at full load: | 88.9 % |
| Enclosure class (IEC 34-5): | IP55 |
| Insulation class (IEC 85): | F |
| Motor protec: | YES |
| Motor No: | 98190189 |
| Controls: | |
| Control panel: | Standard |
| Function Module: | FM300 - Advanced |
| Frequency converter: | Built-in |
| Pressure sensor: | N |
| Others: | |
| Minimum efficiency index, MEI %: | 0.70 |
| Net weight: | 28.8 kg |
| Gross weight: | 31.7 kg |
| Shipping volume: | 0.143 m ³ |
| Country of origin: | GB |
| Custom tariff no.: | 84137075 |

98389756 CRIE 3-11 A-CA-A-E-HQQE 50 Hz

