
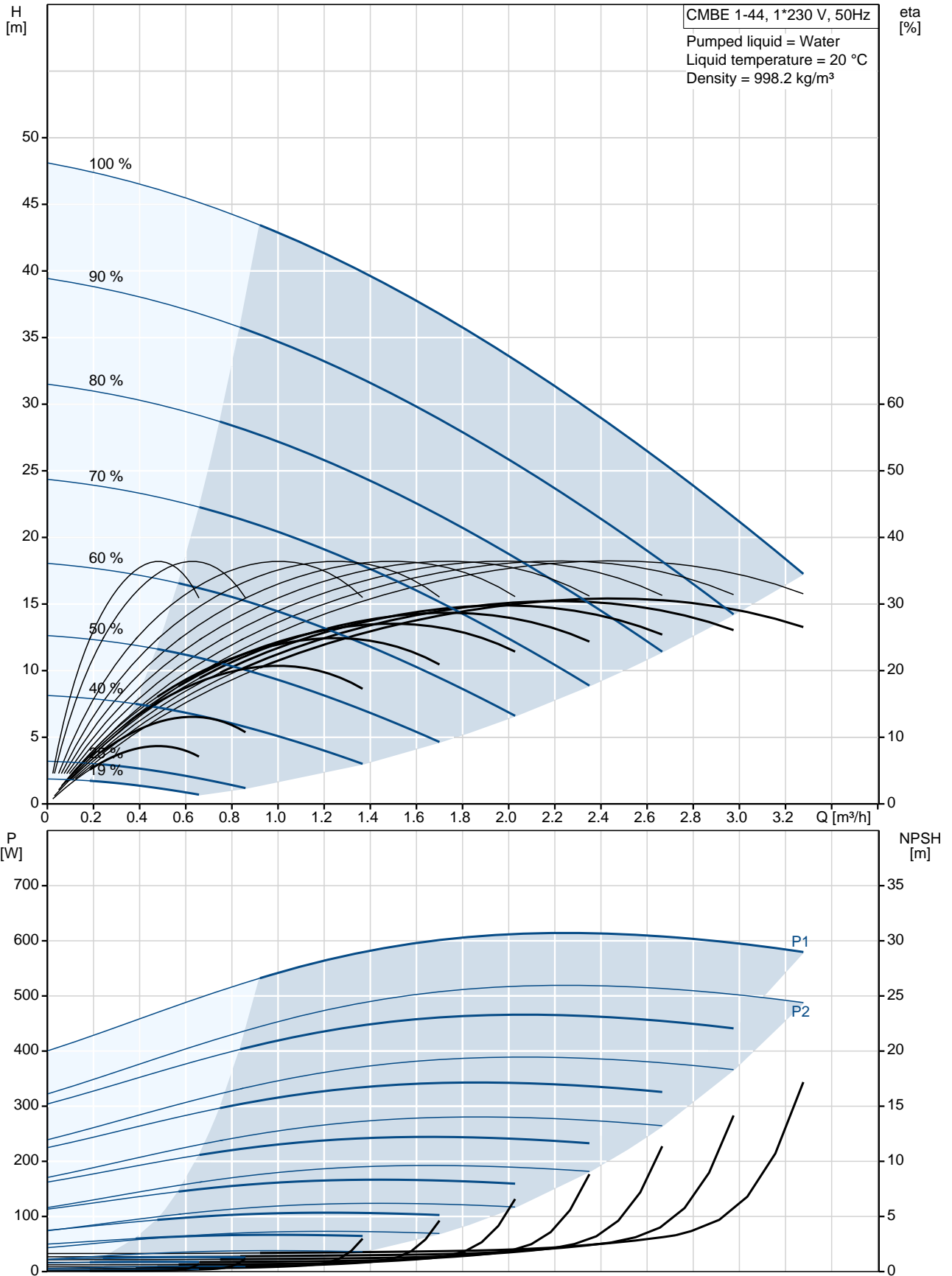


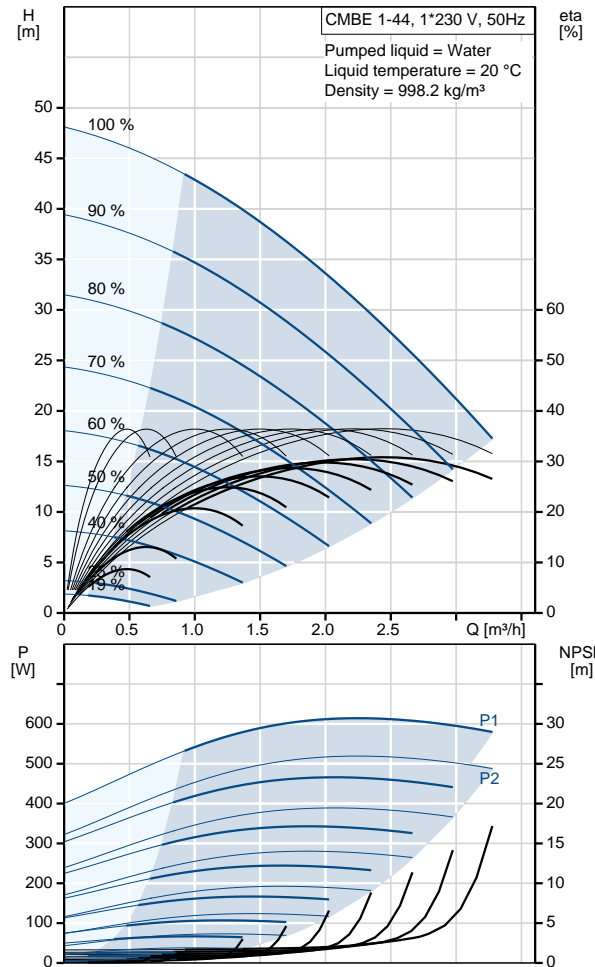
| Position | Qty. | Description | | | | | | | | | | |
|---------------------------|-------------------------|--|----------------|-------|---------------------------|------------|--------------|-------|----------|-------------------------|----------------------|----------|
| | 1 | <p>CMBE 1-44 AVBE</p>  <p style="text-align: center;">Note! Product picture may differ from actual product</p> <p>Product No.: 98374679</p> <p>The Grundfos CME Booster is a compact booster system for water supply in domestic applications. The integrated speed controller enables the CME Booster to keep constant pressure in the pipe system. A pressure sensor monitoring changes in the water consumption will signal to the speed controller to change the motor speed to adapt performance to the new state. The CME Booster is very easy to install. When the pipework has been installed, it is all a matter of plugging the unit into a socket, and the system is operational. The CME Booster consists of:</p> <ul style="list-style-type: none"> • CME pump with integrated frequency converter • 5-way valve • expansion tank • pressure gauge <p>Features</p> <ul style="list-style-type: none"> • Constant pressure, integrated speed control • compact • robust, stainless steel • easy installation • dry run protection <p>Thermal protection</p> <p>CME Booster pumps require no external motor protection. The MGE motor incorporates thermal protection against slow overloading and blocking (IEC 34.11: TP 211).</p> <p>Liquid:</p> <table style="width: 100%;"> <tr> <td>Pumped liquid:</td> <td>Water</td> </tr> <tr> <td>Liquid temperature range:</td> <td>0 .. 60 °C</td> </tr> <tr> <td>Liquid temp:</td> <td>20 °C</td> </tr> <tr> <td>Density:</td> <td>998.2 kg/m³</td> </tr> </table> <p>Technical:</p> <table style="width: 100%;"> <tr> <td>Speed for pump data:</td> <td>3776 rpm</td> </tr> </table> | Pumped liquid: | Water | Liquid temperature range: | 0 .. 60 °C | Liquid temp: | 20 °C | Density: | 998.2 kg/m ³ | Speed for pump data: | 3776 rpm |
| Pumped liquid: | Water | | | | | | | | | | | |
| Liquid temperature range: | 0 .. 60 °C | | | | | | | | | | | |
| Liquid temp: | 20 °C | | | | | | | | | | | |
| Density: | 998.2 kg/m ³ | | | | | | | | | | | |
| Speed for pump data: | 3776 rpm | | | | | | | | | | | |

| Position | Qty. | Description |
|----------|------|--|
| | | <p>Rated flow: 2 m³/h Rated head: 26.2 m Primary shaft seal: AVBE Approvals and markings: CE Curve tolerance: ISO9906:2012 3B Start pressure: Integrated Frequency converter</p> <p>Materials: Pump housing: Stainless steel DIN W.-Nr. 1.4301 304 Impeller: Stainless steel DIN W.-Nr. 1.4301 AISI 304 Rubber: EPDM</p> <p>Installation: Maximum ambient temperature: 55 °C Flange standard: WHITWORTH THREAD RP Pump inlet: Rp 1 Pump outlet: Rp 1</p> <p>Electrical data: Rated power - P2: 0.55 kW Mains frequency: 50 Hz Rated voltage: 1 x 200-240 V Maximum current consumption: 3,45-2,90 A Rated speed: 360-4000 rpm Enclosure class (IEC 34-5): IP55 Insulation class (IEC 85): F Type of cable plug: NONE Mains cable: 1.5 m</p> <p>Tank: Tank volume: 2 l</p> <p>Others: Net weight: 25.9 kg Gross weight: 29.4 kg</p> |

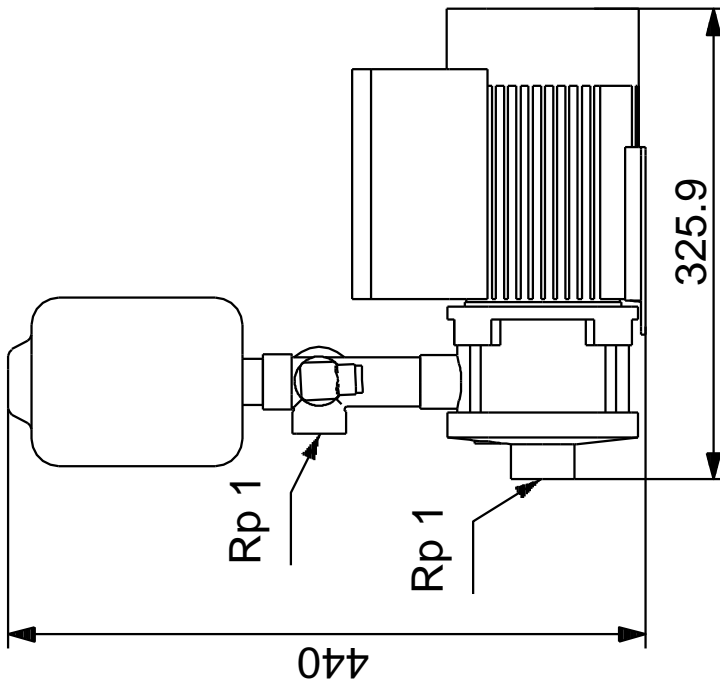
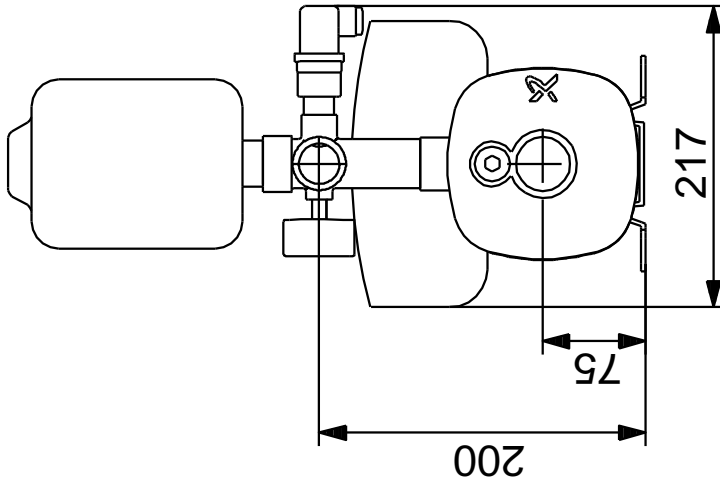
98374679 CMBE 1-44 50 Hz



| Description | Value |
|------------------------------|--------------------------------------|
| General information: | |
| Product name: | CMBE 1-44 AVBE |
| Product No: | 98374679 |
| EAN number: | 5711493909194 |
| Price: | On request |
| Technical: | |
| Speed for pump data: | 3776 rpm |
| Rated flow: | 2 m ³ /h |
| Rated head: | 26.2 m |
| Impellers: | 3 |
| Primary shaft seal: | AVBE |
| Approvals and markings: | CE |
| Curve tolerance: | ISO9906:2012 3B |
| Model: | A |
| Start pressure: | Integrated Frequency converter |
| Materials: | |
| Pump housing: | Stainless steel DIN W.-Nr. 1.4301 |
| | 304 |
| Impeller: | Stainless steel DIN W.-Nr. 1.4301 |
| | AISI 304 |
| Rubber: | EPDM |
| Installation: | |
| Maximum ambient temperature: | 55 °C |
| Flange standard: | WHITWORTH THREAD RP |
| Pump inlet: | Rp 1 |
| Pump outlet: | Rp 1 |
| Liquid: | |
| Pumped liquid: | Water |
| Liquid temperature range: | 0 .. 60 °C |
| Liquid temp: | 20 °C |
| Density: | 998.2 kg/m ³ |
| Electrical data: | |
| Rated power - P2: | 0.55 kW |
| Mains frequency: | 50 Hz |
| Rated voltage: | 1 x 200-240 V |
| Maximum current consumption: | 3,45-2,90 A |
| p max system: | 10 bar |
| Rated speed: | 360-4000 rpm |
| Enclosure class (IEC 34-5): | IP55 |
| Insulation class (IEC 85): | F |
| Type of cable plug: | NONE |
| Mains cable: | 1.5 m |
| Tank: | |
| Tank volume: | 2 l |
| Others: | |
| Net weight: | 25.9 kg |
| Gross weight: | 29.4 kg |
| Config. file no: | 98390431 |

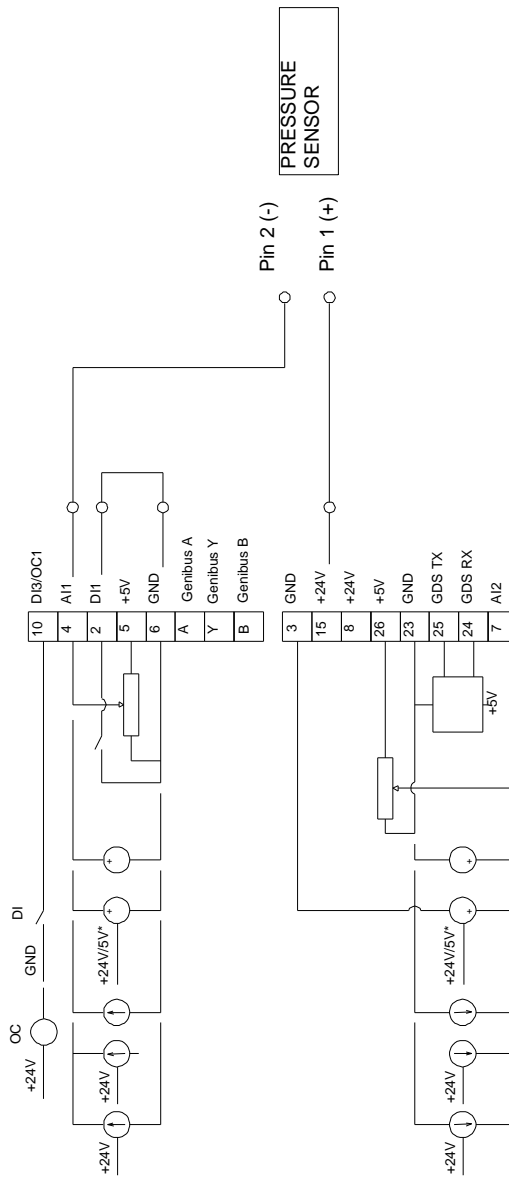
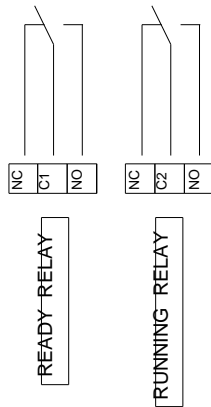
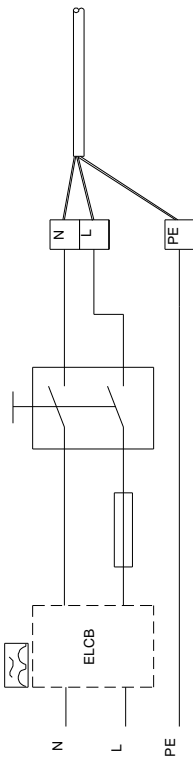
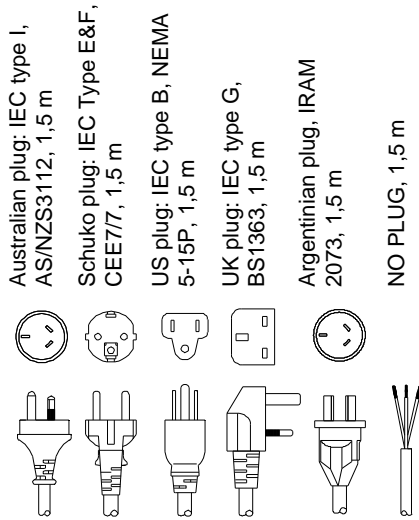


98374679 CMBE 1-44 50 Hz



Note! All units are in [mm] unless others are stated.
Disclaimer: This simplified dimensional drawing does not show all details.

98374679 CMBE 1-44 50 Hz



Note! All units are in [mm] unless others are stated.