


Position	Qty.	Description
	1	<p>TP 32-80/2 A-O-A-BQQE</p>  <p>Product No.: 98346599</p> <p>Single-stage, close-coupled, volute pump with in-line suction and discharge ports of identical diameter. The pump is of the top-pull-out design, i.e. the power head (motor, pump head and impeller) can be removed for maintenance or service while the pump housing remains in the pipework.</p> <p>The pump is fitted with an unbalanced rubber bellows seal. The shaft seal is according to EN 12756. Pipework connection is via PN 10 union connections (ISO 228-1).</p> <p>The pump is fitted with a fan-cooled asynchronous motor.</p> <p>Liquid: Pumped liquid: Water Liquid temperature range: -25 .. 120 °C Liquid temperature during operation: 20 °C Density: 998.2 kg/m³</p> <p>Technical: Speed for pump data: 2830 rpm Rated flow: 7.71 m³/h Rated head: 5.51 m Actual impeller diameter: 79 mm Primary shaft seal: BQQE Curve tolerance: ISO9906:2012 3B</p> <p>Materials: Pump housing: Cast iron EN-JL1020 ASTM A48-25B Impeller: Composite PES/PP 30% GF</p> <p>Installation: Range of ambient temperature: -30 .. 40 °C Maximum operating pressure: 10 bar Flange standard: UNION Pipe connection: G 2 Pressure rating: PN 10 Port-to-port length: 180 mm Flange size for motor: FT75</p> <p>Electrical data: Motor type: 71A IE Efficiency class: NA Rated power - P2: 0.25 kW Power (P2) required by pump: 0.25 kW Mains frequency: 50 Hz Rated voltage: 1 x 220-240 V Rated current: 1,75-2,04 A Starting current: 540-520 % Cos phi - power factor: 0,94</p>



Company name:

Created by:

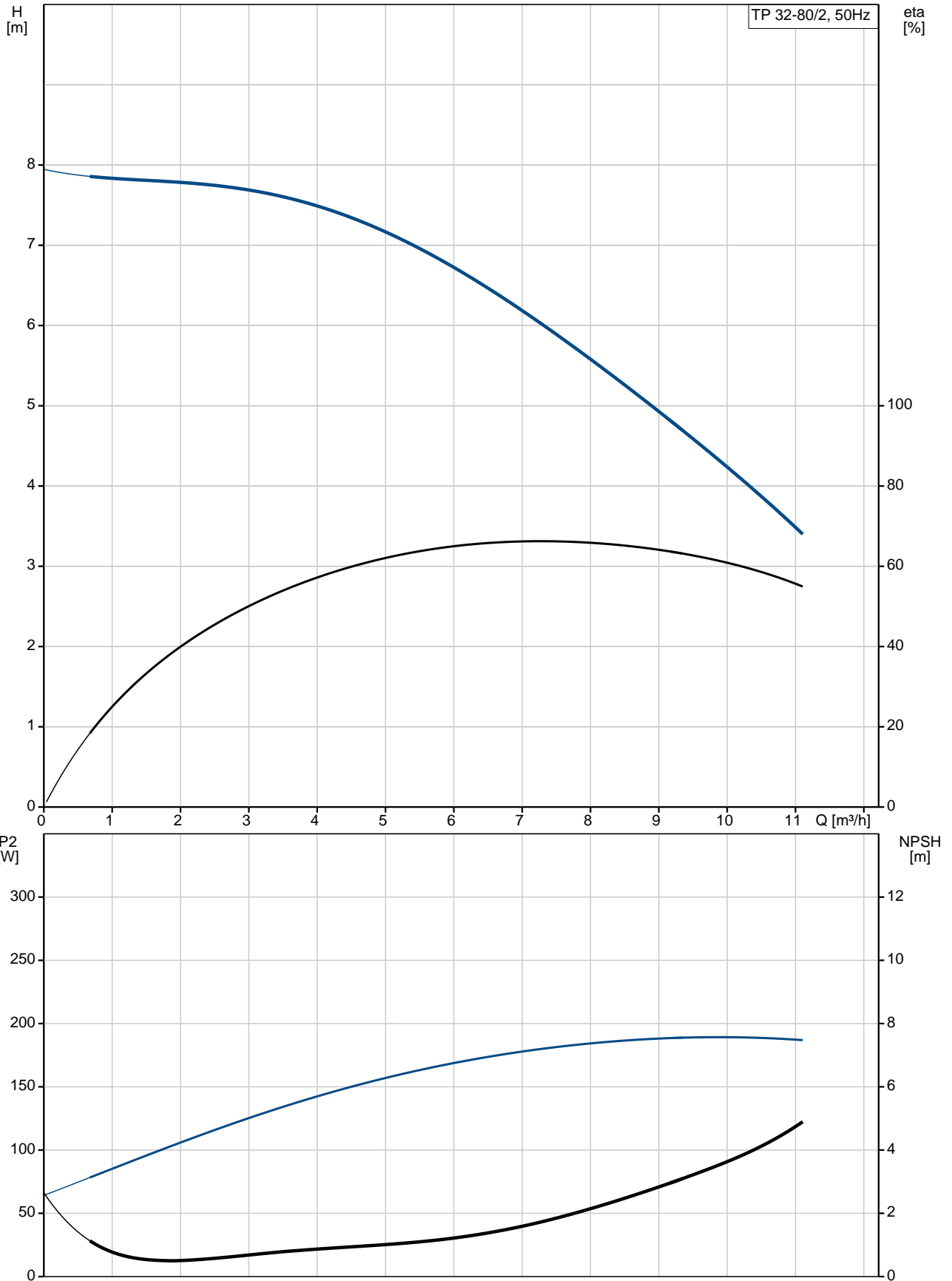
Phone:

Date:

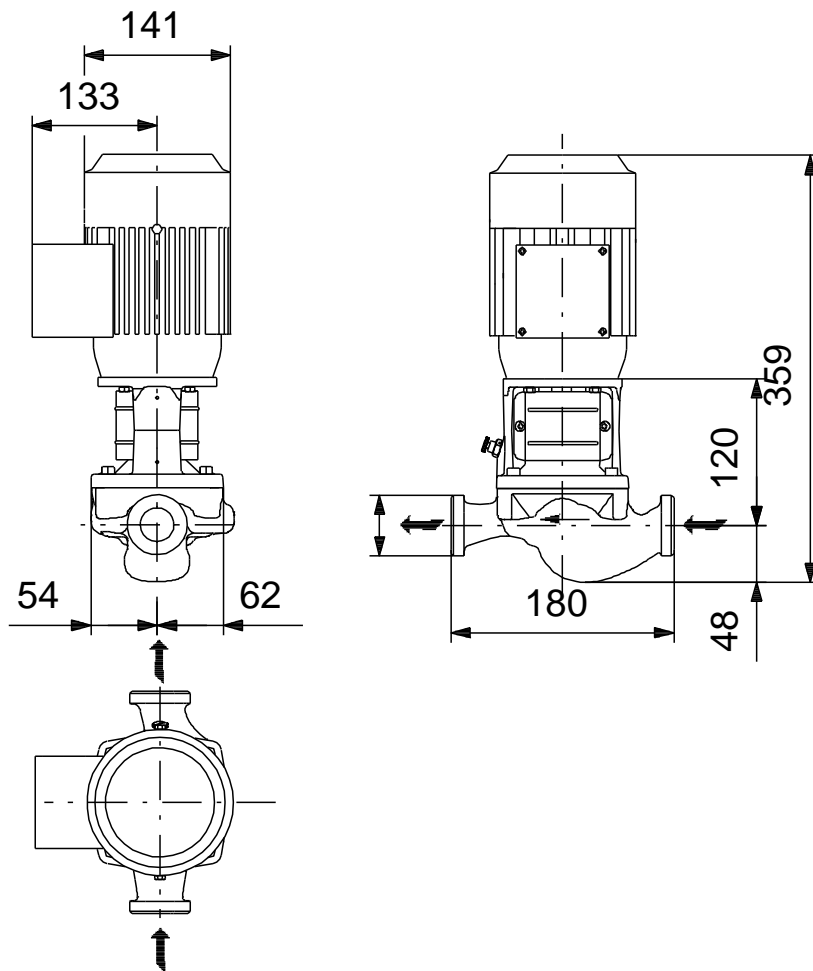
03/11/2017

Position	Qty.	Description
		Rated speed: 2870-2880 rpm Motor efficiency at full load: 68.8-61.8 % Number of poles: 2 Enclosure class (IEC 34-5): 55 Dust/Jetting Insulation class (IEC 85): F Others: Minimum efficiency index, MEI : 0.70 ErP status: EuP Standalone/Prod. Net weight: 9.6 kg Gross weight: 11.6 kg Shipping volume: 0.04 m ³ Danish: VVS NO 38 1801.080

98346599 TP 32-80/2 50 Hz

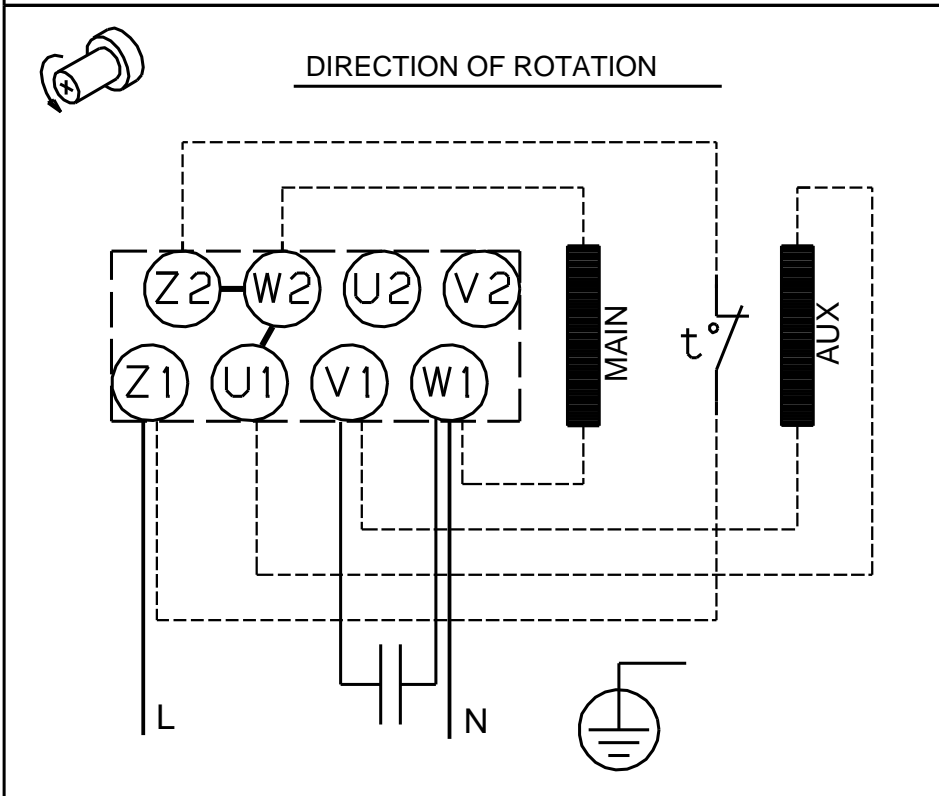
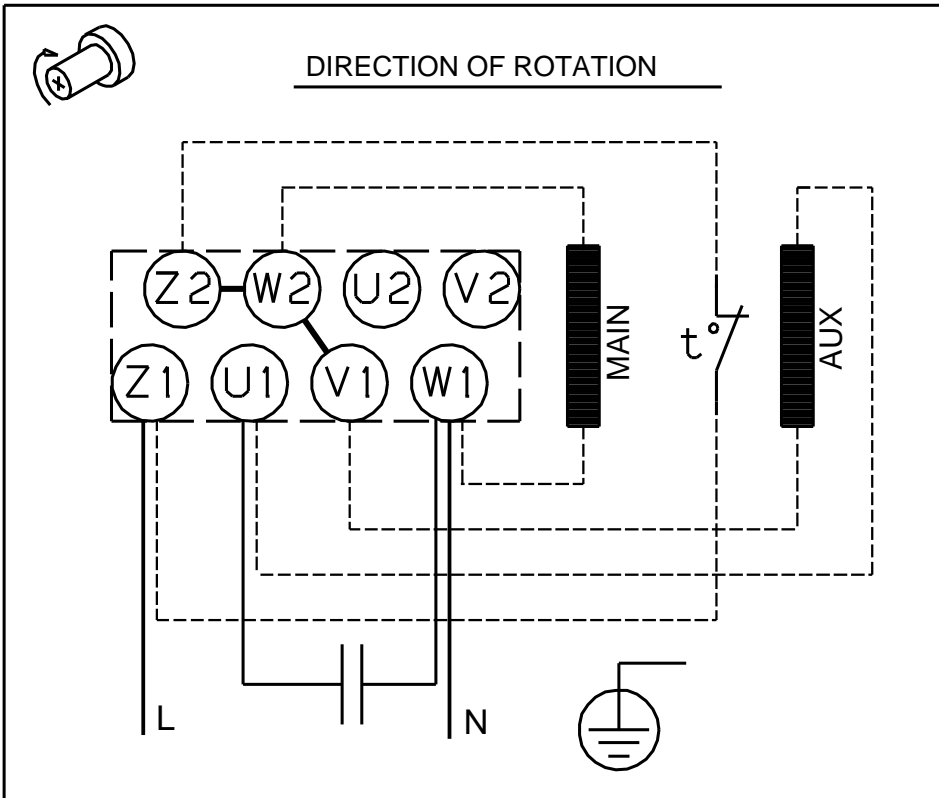


98346599 TP 32-80/2 50 Hz



Note! All units are in [mm] unless others are stated.
Disclaimer: This simplified dimensional drawing does not show all details.

98346599 TP 32-80/2 50 Hz



Note! All units are in [mm] unless others are stated.