
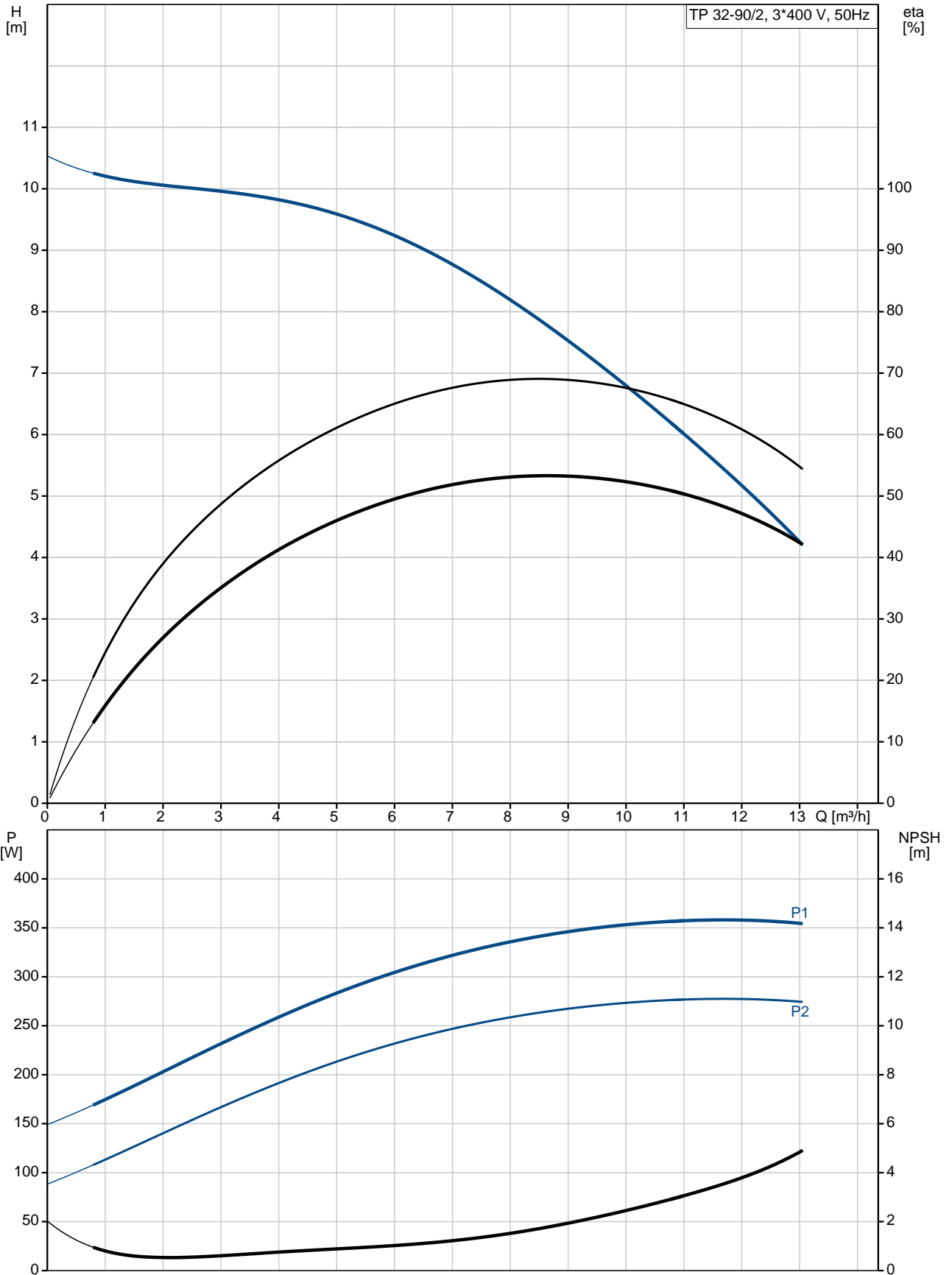


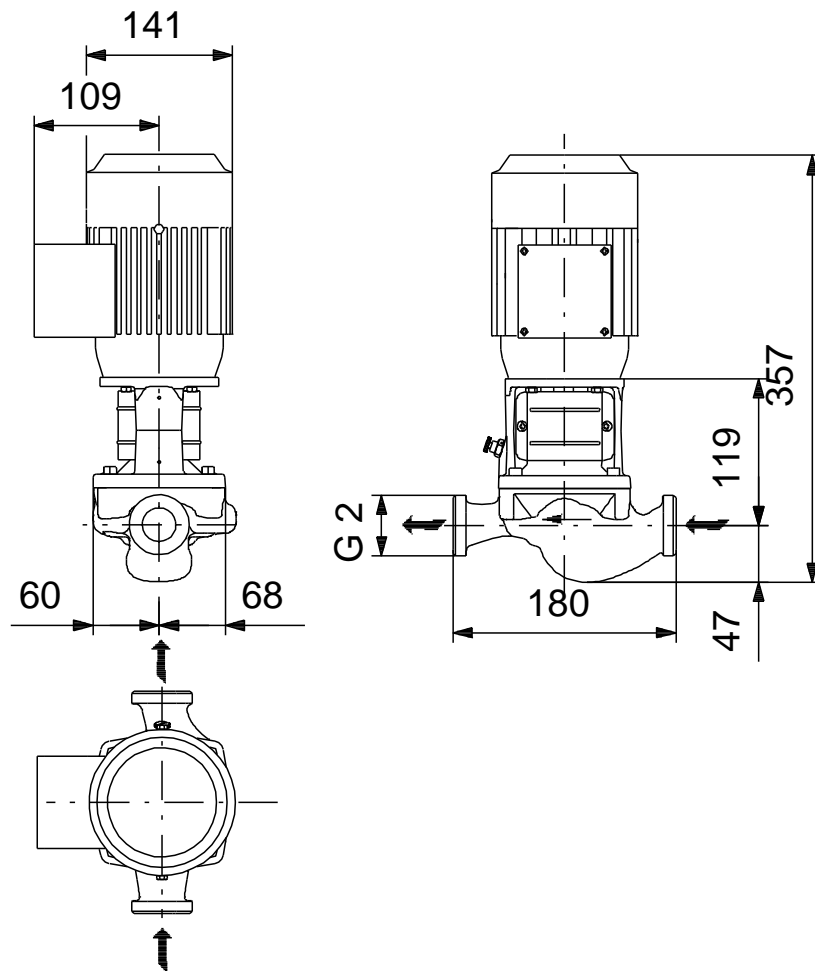
Position	Qty.	Description
	1	<p>TP 32-90/2 A-O-A-BQQE</p>  <p>Product No.: 98346582</p> <p>Single-stage, close-coupled, volute pump with in-line suction and discharge ports of identical diameter. The pump is of the top-pull-out design, i.e. the power head (motor, pump head and impeller) can be removed for maintenance or service while the pump housing remains in the pipework.</p> <p>The pump is fitted with an unbalanced rubber bellows seal. The shaft seal is according to EN 12756. Pipework connection is via PN 10 union connections (ISO 228-1).</p> <p>The pump is fitted with a fan-cooled asynchronous motor.</p> <p>Liquid: Pumped liquid: Water Liquid temperature range: -25 .. 120 °C Liquid temperature during operation: 20 °C Density: 998.2 kg/m³</p> <p>Technical: Speed for pump data: 2865 rpm Rated flow: 8.78 m³/h Rated head: 7.35 m Actual impeller diameter: 89 mm Primary shaft seal: BQQE Curve tolerance: ISO9906:2012 3B</p> <p>Materials: Pump housing: Cast iron EN-JL1030 ASTM A48-30 B Impeller: Composite PES/PP 30% GF</p> <p>Installation: Range of ambient temperature: -30 .. 40 °C Maximum operating pressure: 10 bar Flange standard: UNION Pipe connection: G 2 Pressure rating: PN 10 Port-to-port length: 180 mm Flange size for motor: FT85</p> <p>Electrical data: Motor type: 71A IE Efficiency class: IE3 Rated power - P2: 0.37 kW Power (P2) required by pump: 0.37 kW Mains frequency: 50 Hz Rated voltage: 3 x 220-240D/380-415Y V Rated current: 1,74/1,00 A Starting current: 490-530 % Cos phi - power factor: 0,80-0,70</p>

Position	Qty.	Description
		<p>Rated speed: 2850-2880 rpm</p> <p>Efficiency: IE3 73,8%</p> <p>Motor efficiency at full load: 73.8 %</p> <p>Motor efficiency at 3/4 load: 79.0 %</p> <p>Motor efficiency at 1/2 load: 75.5 %</p> <p>Number of poles: 2</p> <p>Enclosure class (IEC 34-5): 55 Dust/Jetting</p> <p>Insulation class (IEC 85): F</p> <p>Others:</p> <p>Minimum efficiency index, MEI : 0.70</p> <p>ErP status: EuP Standalone/Prod.</p> <p>Net weight: 10.5 kg</p> <p>Gross weight: 11.5 kg</p> <p>Shipping volume: 0.02 m³</p> <p>Danish: VVS NO 38 1811.090</p>

98346582 TP 32-90/2 50 Hz

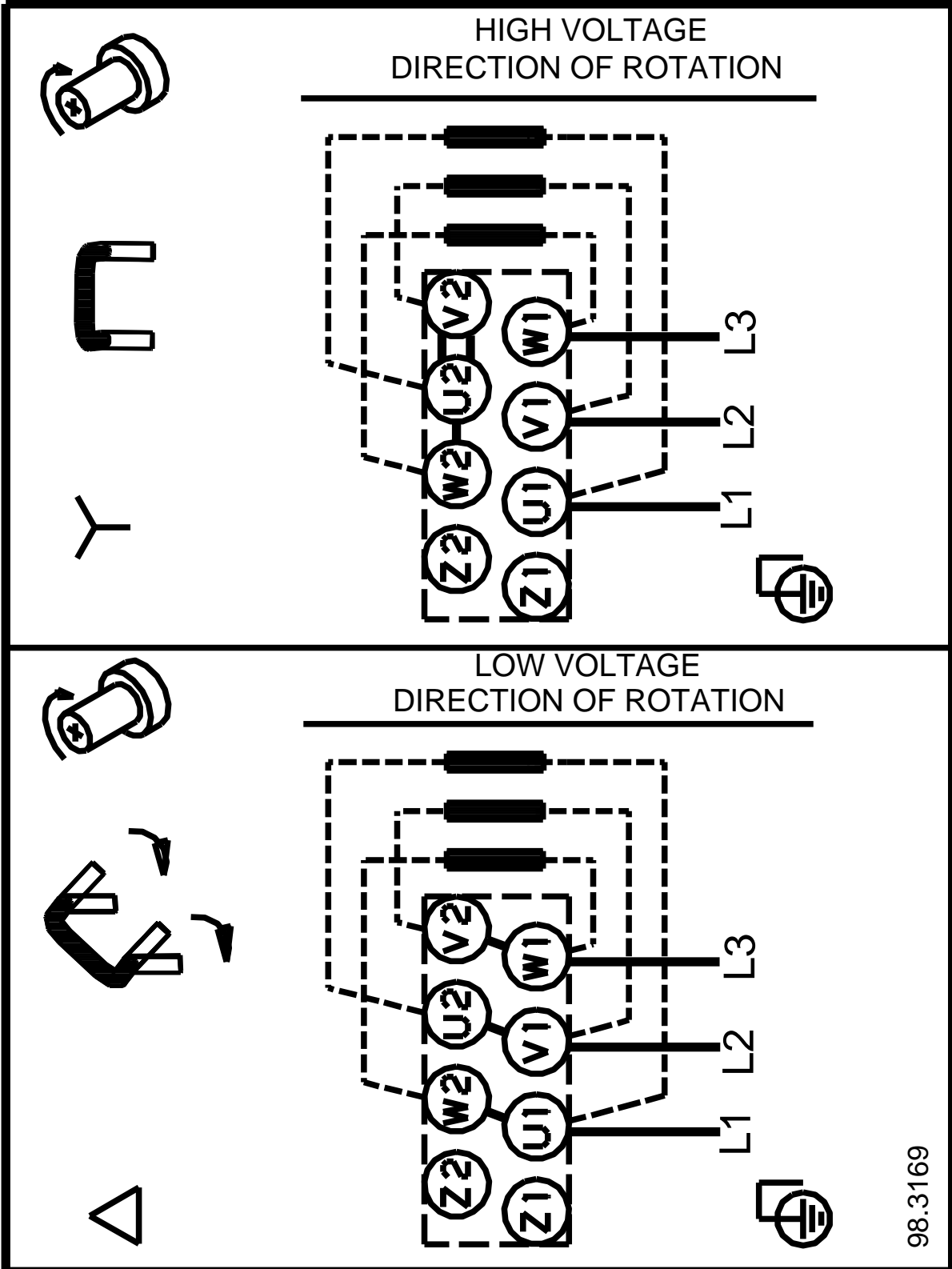


98346582 TP 32-90/2 50 Hz



Note! All units are in [mm] unless others are stated.
Disclaimer: This simplified dimensional drawing does not show all details.

98346582 TP 32-90/2 50 Hz



98.3169

Note! All units are in [mm] unless others are stated.