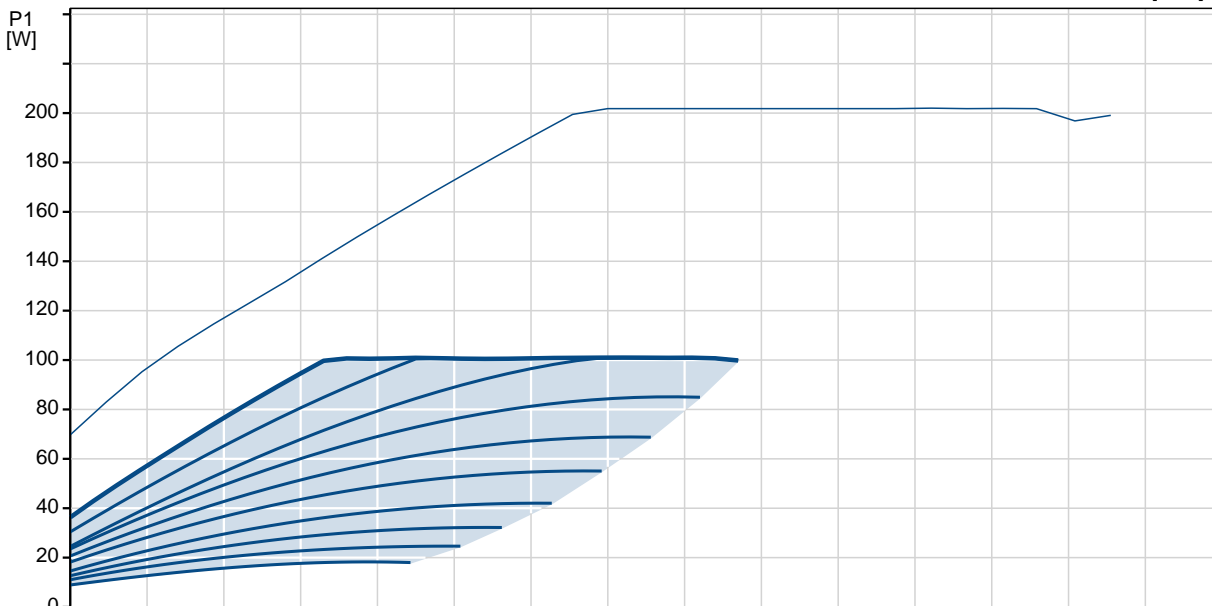
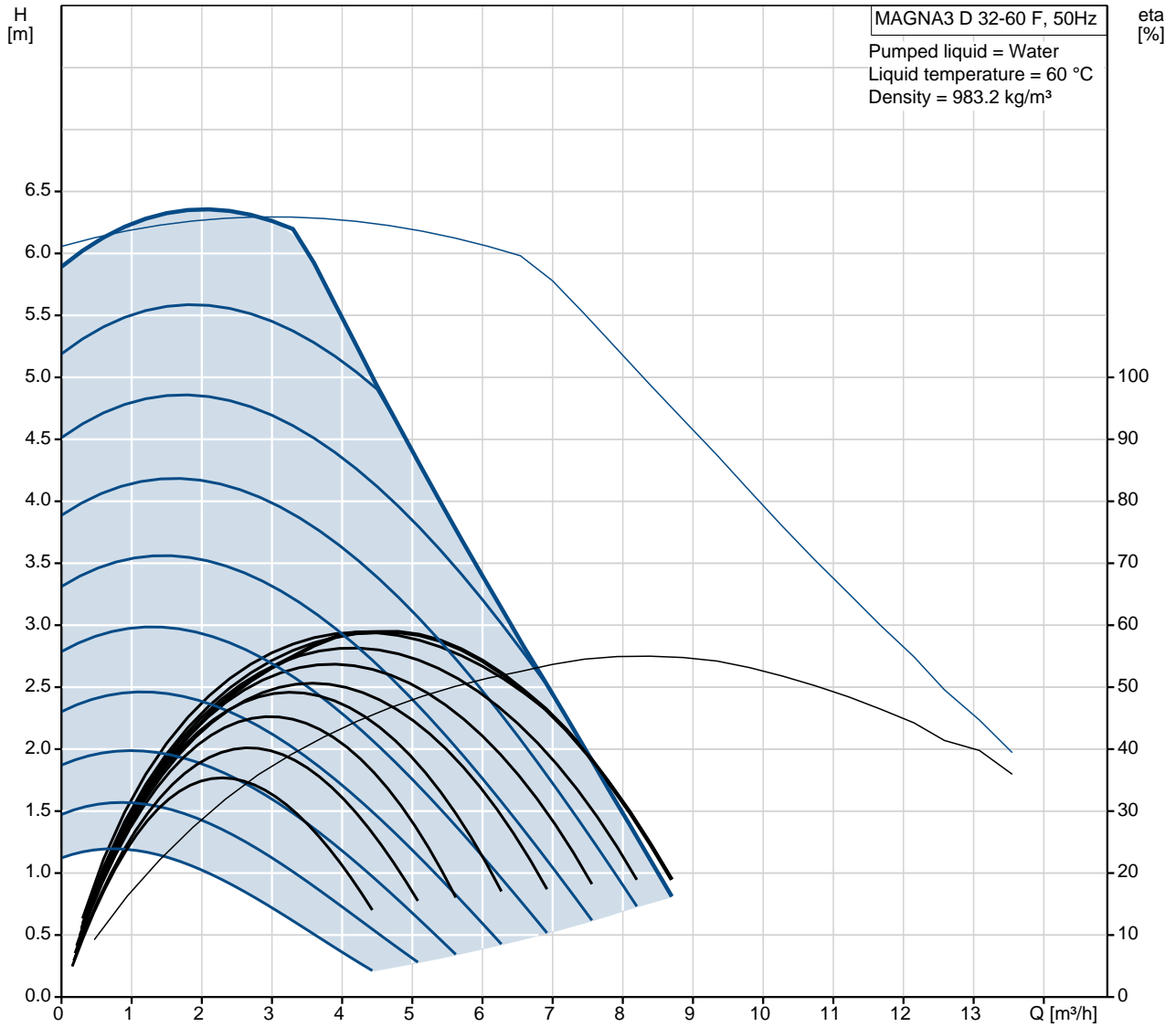


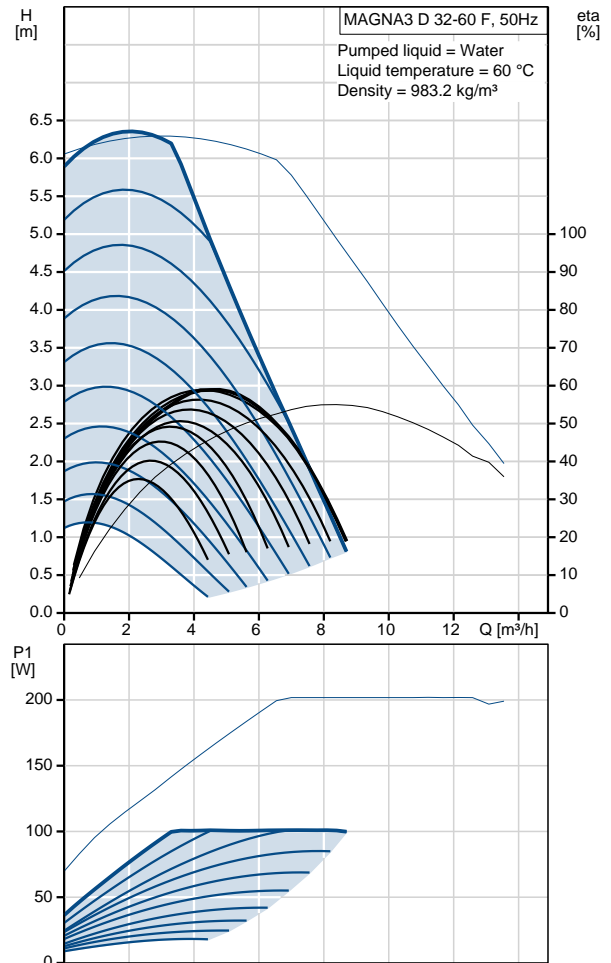
| Position | Qty. | Description   |
|----------|------|---|
|          | 1    | <p data-bbox="320 338 547 365"><b>MAGNA3 D 32-60 F</b></p> <div data-bbox="395 443 593 593" data-label="Image"> </div> <p data-bbox="320 660 584 687">Product No.: <a href="#">98333860</a></p> <p data-bbox="320 719 655 745"><b>MAGNA3 – More than a pump</b></p> <p data-bbox="320 750 1449 826">With its unrivalled efficiency, all-encompassing range and built-in communication capabilities plus functionalities replacing system components, the MAGNA3 is ideal for engineers and specifiers looking to create high-performance systems for buildings.</p> <p data-bbox="320 835 1449 889">This pump in the Grundfos Master Class will fit both heating and cooling applications perfectly, making it the obvious choice for almost any building project – old or new.</p> <p data-bbox="320 922 1433 976">The MAGNA3 is of the canned-rotor type, i.e. pump and motor form an integral unit without shaft seal and with only two gaskets for sealing. The bearings are lubricated by the pumped liquid.</p> <p data-bbox="320 981 1286 1008">The innovative clamp with only one screw enables easy repositioning of the pump head.</p> <p data-bbox="320 1012 1414 1039">The MAGNA3 is a pump with no maintenance requirements and with extremely low Life Cycle Cost.</p> <p data-bbox="320 1070 798 1097">The pump is characterised by the following:</p> <ul data-bbox="320 1102 906 1366" style="list-style-type: none"> <li>• controller integrated in the control box</li> <li>• control panel with TFT display on the control box</li> <li>• control box prepared for optional CIM modules</li> <li>• built-in differential-pressure and temperature sensor</li> <li>• cast-iron pump housing (depending on model)</li> <li>• carbon-fibre-reinforced composite rotor can</li> <li>• stainless-steel bearing plate and rotor cladding</li> <li>• aluminium alloy stator housing</li> <li>• air-cooled power electronics</li> </ul> <p data-bbox="320 1370 743 1397">The MAGNA3 is a single-phase pump.</p> <p data-bbox="320 1429 568 1456"><b>Characteristic features</b></p> <ul data-bbox="320 1460 1449 1832" style="list-style-type: none"> <li>• AUTOADAPT.</li> <li>• FLOWADAPT and FLOWLIMIT (more than a pump function as it reduces the need for pump throttling valves).</li> <li>• Proportional-pressure control.</li> <li>• Constant-pressure control.</li> <li>• Constant-temperature control.</li> <li>• Constant-curve duty.</li> <li>• Max. or min. curve duty.</li> <li>• Automatic Night Setback.</li> <li>• No external motor protection required.</li> <li>• Insulating shells supplied with single-head pumps for heating systems.</li> <li>• Large temperature range where the liquid temperature and the ambient temperature are independent of each other.</li> </ul> <p data-bbox="320 1868 496 1895"><b>Communication</b></p> <p data-bbox="320 1899 932 1926">The MAGNA3 enables communication via the following:</p> <ul data-bbox="320 1930 1031 2078" style="list-style-type: none"> <li>• wireless Grundfos GO Remote</li> <li>• fieldbus communication via CIM modules</li> <li>• digital inputs</li> <li>• relay outputs</li> <li>• analog input (more than a pump function as heat energy meter)</li> </ul> |

| Position | Qty. | Description  |
|----------|------|--|
|          |      | <p>Motor and electronic controller<br/>           The MAGNA3 incorporates a 4-pole synchronous, permanent-magnet motor (PM motor). This motor type is characterised by higher efficiency than a conventional asynchronous squirrel-cage motor.<br/>           The pump speed is controlled by an integrated frequency converter.<br/>           A differential-pressure and temperature sensor is incorporated in the pump.</p> <p><b>Liquid:</b><br/>           Pumped liquid: Water<br/>           Liquid temperature range: -10 .. 110 °C<br/>           Liquid temp: 60 °C<br/>           Density: 983.2 kg/m<sup>3</sup></p> <p><b>Technical:</b><br/>           TF class: 110<br/>           Approvals on nameplate: CE,VDE,EAC</p> <p><b>Materials:</b><br/>           Pump housing: Cast iron<br/>                                             EN-GJL-250<br/>                                             ASTM A48-250B<br/>           Impeller: PES 30%GF</p> <p><b>Installation:</b><br/>           Range of ambient temperature: 0 .. 40 °C<br/>           Maximum operating pressure: 10 bar<br/>           Flange standard: DIN<br/>           Pipe connection: DN 32<br/>           Pressure stage: PN6/10<br/>           Port-to-port length: 220 mm</p> <p><b>Electrical data:</b><br/>           Power input - P1: 9 .. 110 W<br/>           Mains frequency: 50 Hz<br/>           Rated voltage: 1 x 230 V<br/>           Maximum current consumption: 0.09 .. 0.91 A<br/>           Enclosure class (IEC 34-5): X4D<br/>           Insulation class (IEC 85): F</p> <p><b>Others:</b><br/>           Label: Grundfos Blueflux<br/>           Energy (EEI): 0.20<br/>           Net weight: 15.6 kg<br/>           Gross weight: 16.3 kg<br/>           Shipping volume: 52.5 m<sup>3</sup></p> |

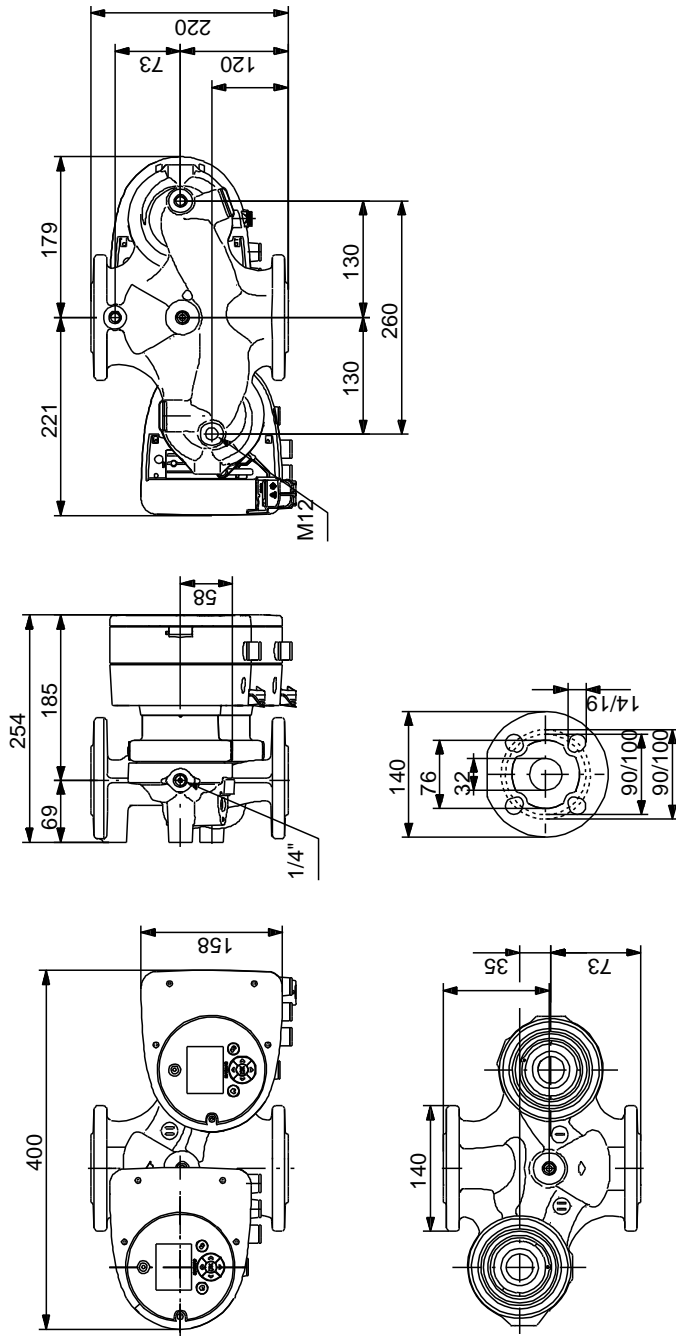
## 98333860 MAGNA3 D 32-60 F 50 Hz



| Description                   | Value                      |
|-------------------------------|----------------------------|
| <b>General information:</b>   |                            |
| Product name:                 | MAGNA3 D 32-60 F           |
| Product No:                   | 98333860                   |
| EAN number:                   | 5710629851048              |
| Price:                        | On request                 |
| <b>Technical:</b>             |                            |
| Head max:                     | 60 dm                      |
| TF class:                     | 110                        |
| Approvals on nameplate:       | CE,VDE,EAC                 |
| Model:                        | C                          |
| <b>Materials:</b>             |                            |
| Pump housing:                 | Cast iron<br>EN-GJL-250    |
| Impeller:                     | ASTM A48-250B<br>PES 30%GF |
| <b>Installation:</b>          |                            |
| Range of ambient temperature: | 0 .. 40 °C                 |
| Maximum operating pressure:   | 10 bar                     |
| Flange standard:              | DIN                        |
| Pipe connection:              | DN 32                      |
| Pressure stage:               | PN6/10                     |
| Port-to-port length:          | 220 mm                     |
| <b>Liquid:</b>                |                            |
| Pumped liquid:                | Water                      |
| Liquid temperature range:     | -10 .. 110 °C              |
| Liquid temp:                  | 60 °C                      |
| Density:                      | 983.2 kg/m <sup>3</sup>    |
| <b>Electrical data:</b>       |                            |
| Power input - P1:             | 9 .. 110 W                 |
| Mains frequency:              | 50 Hz                      |
| Rated voltage:                | 1 x 230 V                  |
| Maximum current consumption:  | 0.09 .. 0.91 A             |
| Enclosure class (IEC 34-5):   | X4D                        |
| Insulation class (IEC 85):    | F                          |
| <b>Others:</b>                |                            |
| Label:                        | Grundfos Blueflux          |
| Energy (EEI):                 | 0.20                       |
| Net weight:                   | 15.6 kg                    |
| Gross weight:                 | 16.3 kg                    |
| Shipping volume:              | 52.5 m <sup>3</sup>        |



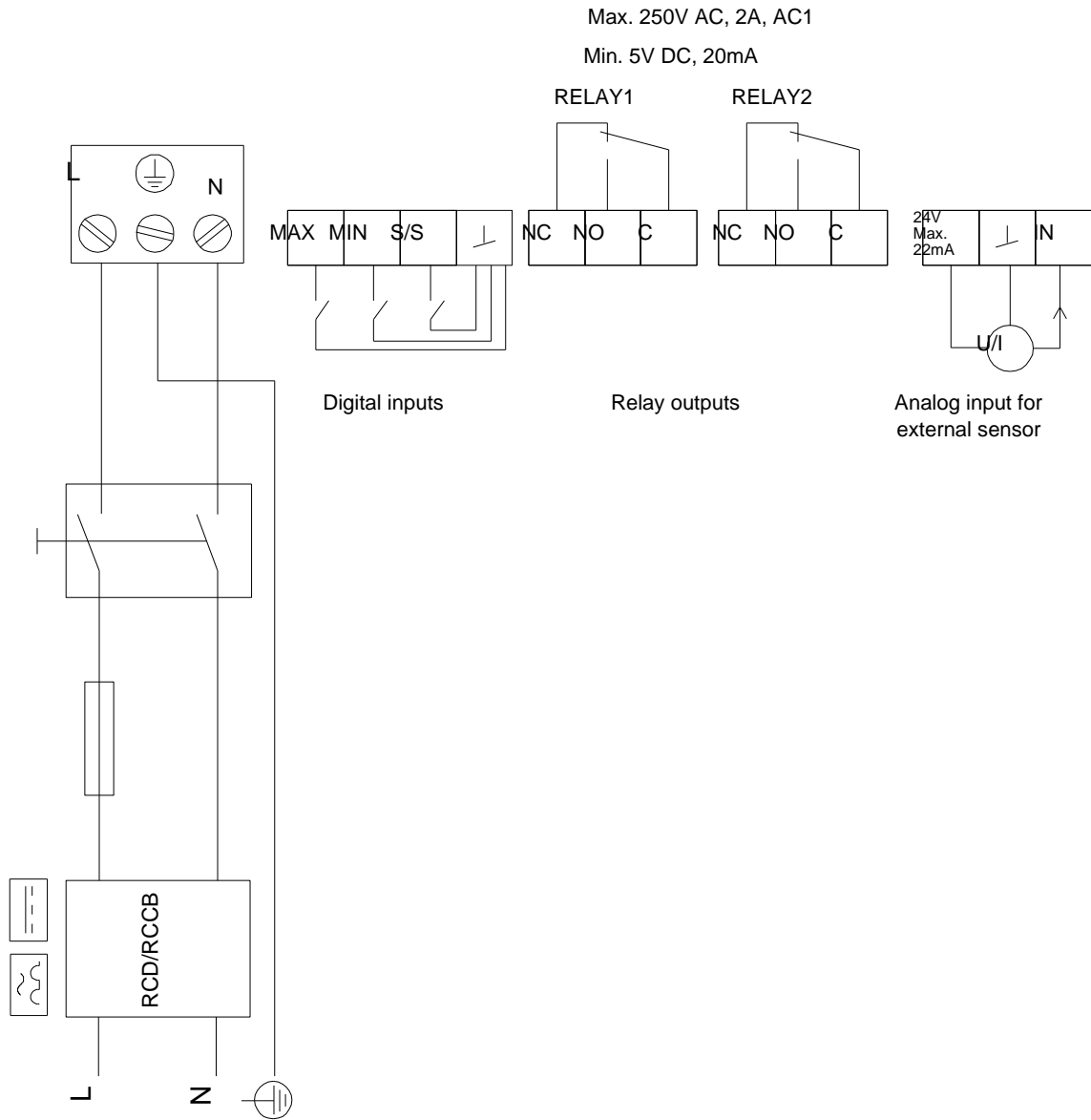
## 98333860 MAGNA3 D 32-60 F 50 Hz



Note! All units are in [mm] unless others are stated.  
Disclaimer: This simplified dimensional drawing does not show all details.

## 98333860 MAGNA3 D 32-60 F 50 Hz

Example of mains-connected motor with mains switch, backup fuse and additional protection



Note! All units are in [mm] unless others are stated.